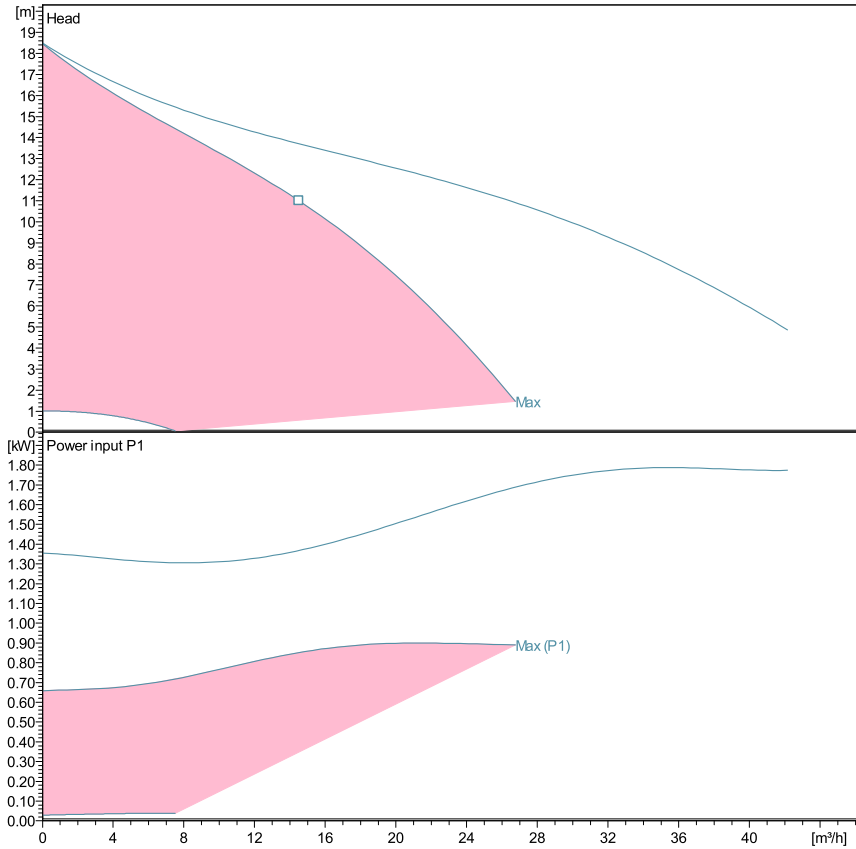


# ecocirc XL D 40-180 F

## Technical data

Company name  
Contact  
Phone number  
e-mail address



Performance according to ISO 9906:2012 – Grade 3B  
Liquid temperature:  
-10°C (14°F) to +110 °C (230°F) for heating pumps  
-10°C (14°F) to +85 °C (185°F) for domestic hot water pumps  
Power data referred to:  
Water, pure [100%]; 4°C; 1000kg/m³; 1.57mm²/s

### Materials

Bush Bearing	Carbon, resin impregnated	Impeller	PPS
Thrust bearing	Aluminium	Wear ring	Stainless steel
Bearing plate	Stainless steel	Rotor can	Stainless steel
Motor housing	Aluminum	Shaft	Stainless steel
O-rings	EPDM	Control box	Poly carbonate
PUMP HOUSING	Cast Iron		



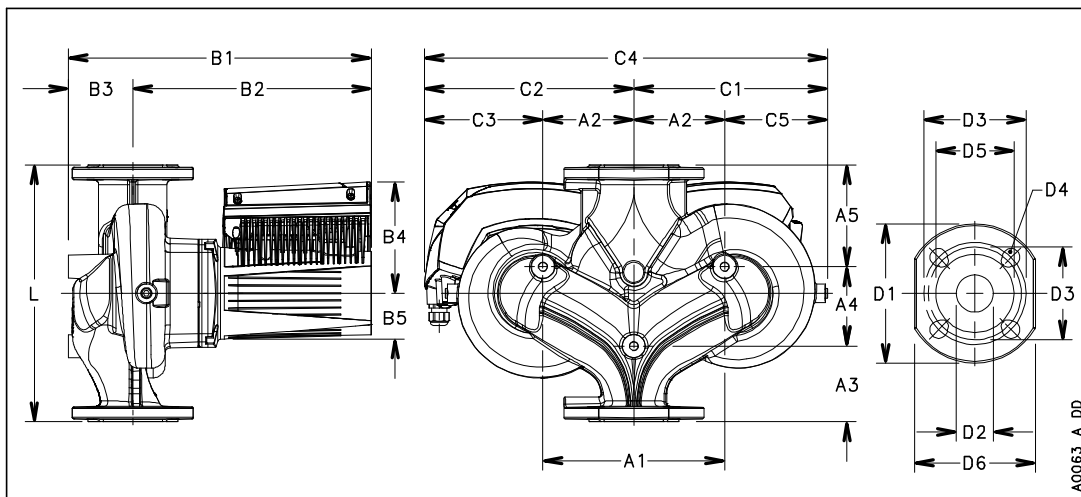
### Pump data

Make	Lowara
Port to port (mm)	250
Electrical connection	Terminals
Specific EEI	<= 0,23
Nominal pressure	PN 6/10
Connection	Flanged / DN 40

### Electrical data

Rated voltage	230 V
Frequency	50 / 60
Protection class	IP 44
Insulation class	F
Digital input	Contact load: 5V, 10 mA
Digital output	Vmax < 250 VAC / Imax < 2 A
Analog input	0-10 V / 4-20 mA
Leakage current	< 3.5 mA
Communication capabilities	No communication protocol
Sound pressure level	<= 52 dB(A)
Rated current	4 A

### Dimensions mm



A1	240
A2	120
A3	53
A4	105
A5	92
B1	375.5
B2	301
B3	74.5
B4	147
B5	61
C1	216
C2	266
C3	146
C4	482
C5	96
D1	150
D2	40
D3	100/110
D4	4 x 14/19
D5	84
G	DN 40
Gross Weight	44.3
L	250
Net Weight	36.8