

Qty. Description

1 TP 65-60/4 A-F-Z-BQQE-EW3


Note! Product picture may differ from actual product

Product No.: [97897722](#)

Single-stage, close-coupled, volute pump with in-line suction and discharge ports of identical diameter. The pump is of the top-pull-out design, i.e. the power head (motor, pump head and impeller) can be removed for maintenance or service while the pump housing remains in the pipework.

The pump is fitted with an unbalanced rubber bellows seal. The shaft seal is according to EN 12756. Pipework connection is via PN 6/10 DIN flanges (EN 1092-2 and ISO 7005-2).

The pump is fitted with a fan-cooled asynchronous motor.

Controls:

Frequency converter: None

Liquid:

Pumped liquid: Water

Liquid temperature range: -25 .. 120 °C

Selected liquid temperature: 20 °C

Density: 998.2 kg/m³
Technical:

Pump speed on which pump data are based: 1420 rpm

Rated flow: 25.1 m³/h

Rated head: 4.52 m

Actual impeller diameter: 128 mm

Code for shaft seal: BQQE

Curve tolerance: ISO9906:2012 3B2

Materials:

Pump housing: Bronze

CuSn10

ASTM B505

Impeller: Stainless steel

EN 1.4301

AISI 304

Installation:

Range of ambient temperature: -20 .. 55 °C

Maximum operating pressure: 10 bar

Max pressure at stated temp: 10 bar / 120 °C

Type of connection: DIN

Size of connection: DN 65

Pressure rating for connection: PN 6/10

Port-to-port length: 340 mm

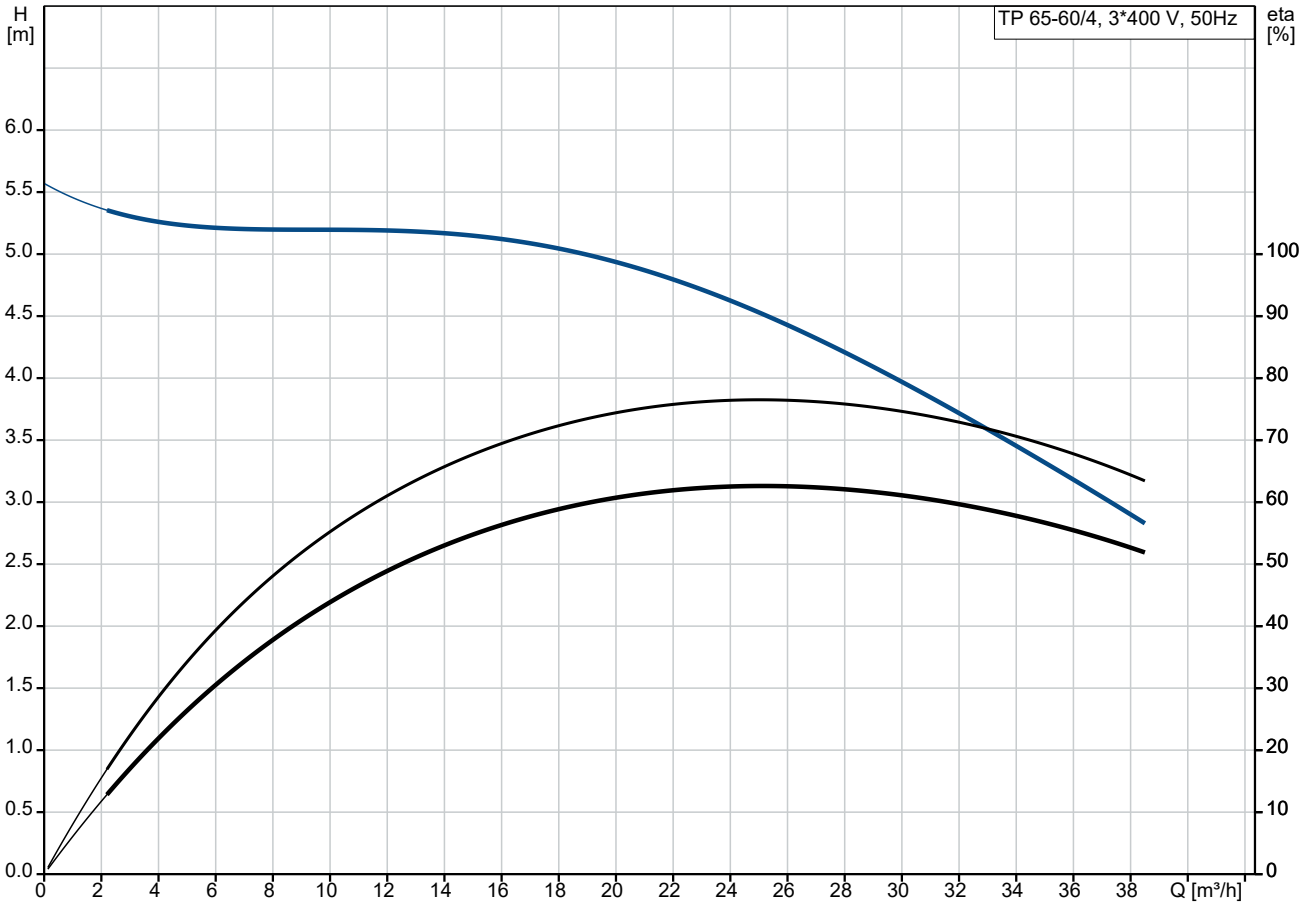
Flange size for motor: FT100

Electrical data:

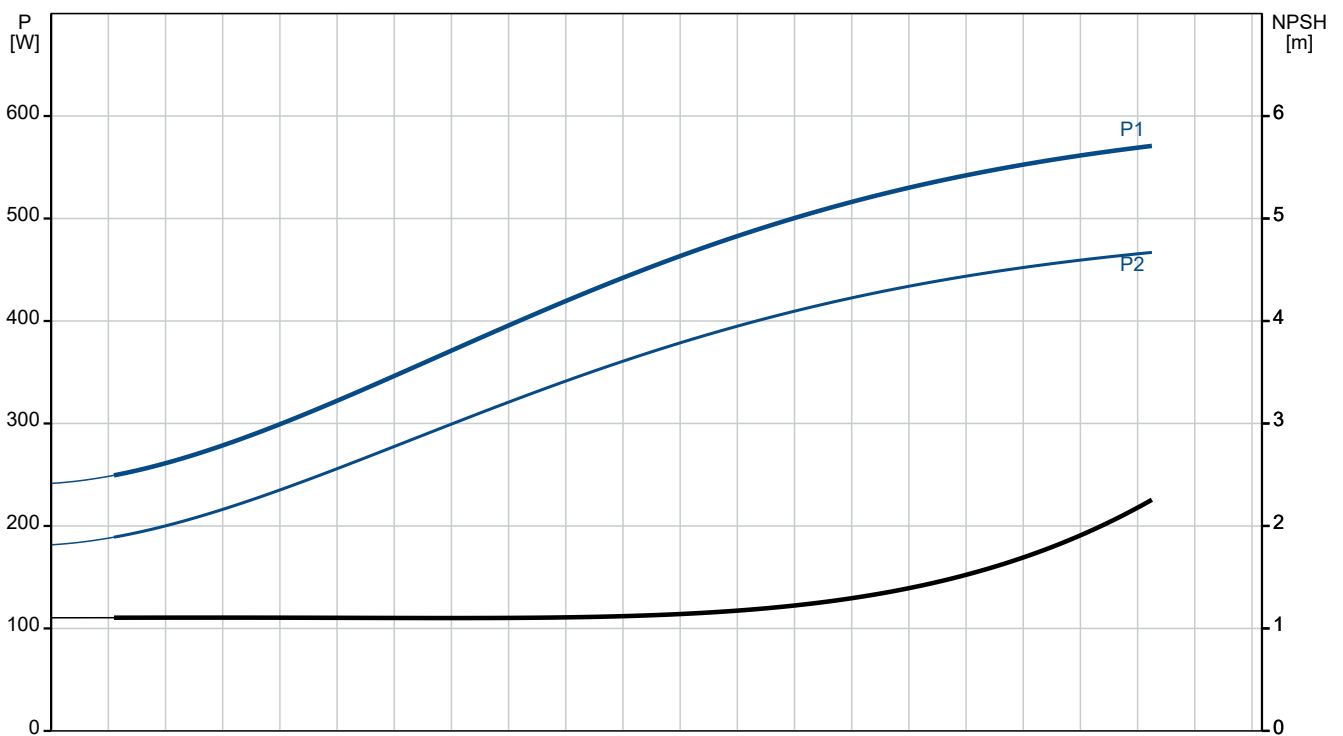
Motor type: SIEMENS

Qty.	Description																																																
1	<table> <tr> <td>Rated power - P2:</td> <td>0.55 kW</td> </tr> <tr> <td>Mains frequency:</td> <td>50 Hz</td> </tr> <tr> <td>Rated voltage:</td> <td>3 x 220-240D/380-420Y V</td> </tr> <tr> <td>Rated current:</td> <td>2.2/1.26 A</td> </tr> <tr> <td>Starting current:</td> <td>590-590 %</td> </tr> <tr> <td>Cos phi - power factor:</td> <td>0.78</td> </tr> <tr> <td>Rated speed:</td> <td>1440 rpm</td> </tr> <tr> <td>IE efficiency:</td> <td>IE3 80,8%</td> </tr> <tr> <td>IE Efficiency class:</td> <td>IE3</td> </tr> <tr> <td>Motor efficiency at full load:</td> <td>80.8-80.8 %</td> </tr> <tr> <td>Motor efficiency at 3/4 load:</td> <td>81.1-81.1 %</td> </tr> <tr> <td>Motor efficiency at 1/2 load:</td> <td>79.3-79.3 %</td> </tr> <tr> <td>Number of poles:</td> <td>4</td> </tr> <tr> <td>Enclosure class (IEC 34-5):</td> <td>IP55</td> </tr> <tr> <td>Insulation class (IEC 85):</td> <td>F</td> </tr> <tr> <td>Motor No:</td> <td>99900479</td> </tr> <tr> <td colspan="2">Others:</td> </tr> <tr> <td>Minimum efficiency index, MEI ≥:</td> <td>0.70</td> </tr> <tr> <td>Net weight:</td> <td>44 kg</td> </tr> <tr> <td>Gross weight:</td> <td>48.7 kg</td> </tr> <tr> <td>Shipping volume:</td> <td>0.091 m³</td> </tr> <tr> <td>Danish VVS No.:</td> <td>381894060</td> </tr> <tr> <td>Country of origin:</td> <td>HU</td> </tr> <tr> <td>Custom tariff no.:</td> <td>84137051</td> </tr> </table>	Rated power - P2:	0.55 kW	Mains frequency:	50 Hz	Rated voltage:	3 x 220-240D/380-420Y V	Rated current:	2.2/1.26 A	Starting current:	590-590 %	Cos phi - power factor:	0.78	Rated speed:	1440 rpm	IE efficiency:	IE3 80,8%	IE Efficiency class:	IE3	Motor efficiency at full load:	80.8-80.8 %	Motor efficiency at 3/4 load:	81.1-81.1 %	Motor efficiency at 1/2 load:	79.3-79.3 %	Number of poles:	4	Enclosure class (IEC 34-5):	IP55	Insulation class (IEC 85):	F	Motor No:	99900479	Others:		Minimum efficiency index, MEI ≥:	0.70	Net weight:	44 kg	Gross weight:	48.7 kg	Shipping volume:	0.091 m ³	Danish VVS No.:	381894060	Country of origin:	HU	Custom tariff no.:	84137051
Rated power - P2:	0.55 kW																																																
Mains frequency:	50 Hz																																																
Rated voltage:	3 x 220-240D/380-420Y V																																																
Rated current:	2.2/1.26 A																																																
Starting current:	590-590 %																																																
Cos phi - power factor:	0.78																																																
Rated speed:	1440 rpm																																																
IE efficiency:	IE3 80,8%																																																
IE Efficiency class:	IE3																																																
Motor efficiency at full load:	80.8-80.8 %																																																
Motor efficiency at 3/4 load:	81.1-81.1 %																																																
Motor efficiency at 1/2 load:	79.3-79.3 %																																																
Number of poles:	4																																																
Enclosure class (IEC 34-5):	IP55																																																
Insulation class (IEC 85):	F																																																
Motor No:	99900479																																																
Others:																																																	
Minimum efficiency index, MEI ≥:	0.70																																																
Net weight:	44 kg																																																
Gross weight:	48.7 kg																																																
Shipping volume:	0.091 m ³																																																
Danish VVS No.:	381894060																																																
Country of origin:	HU																																																
Custom tariff no.:	84137051																																																

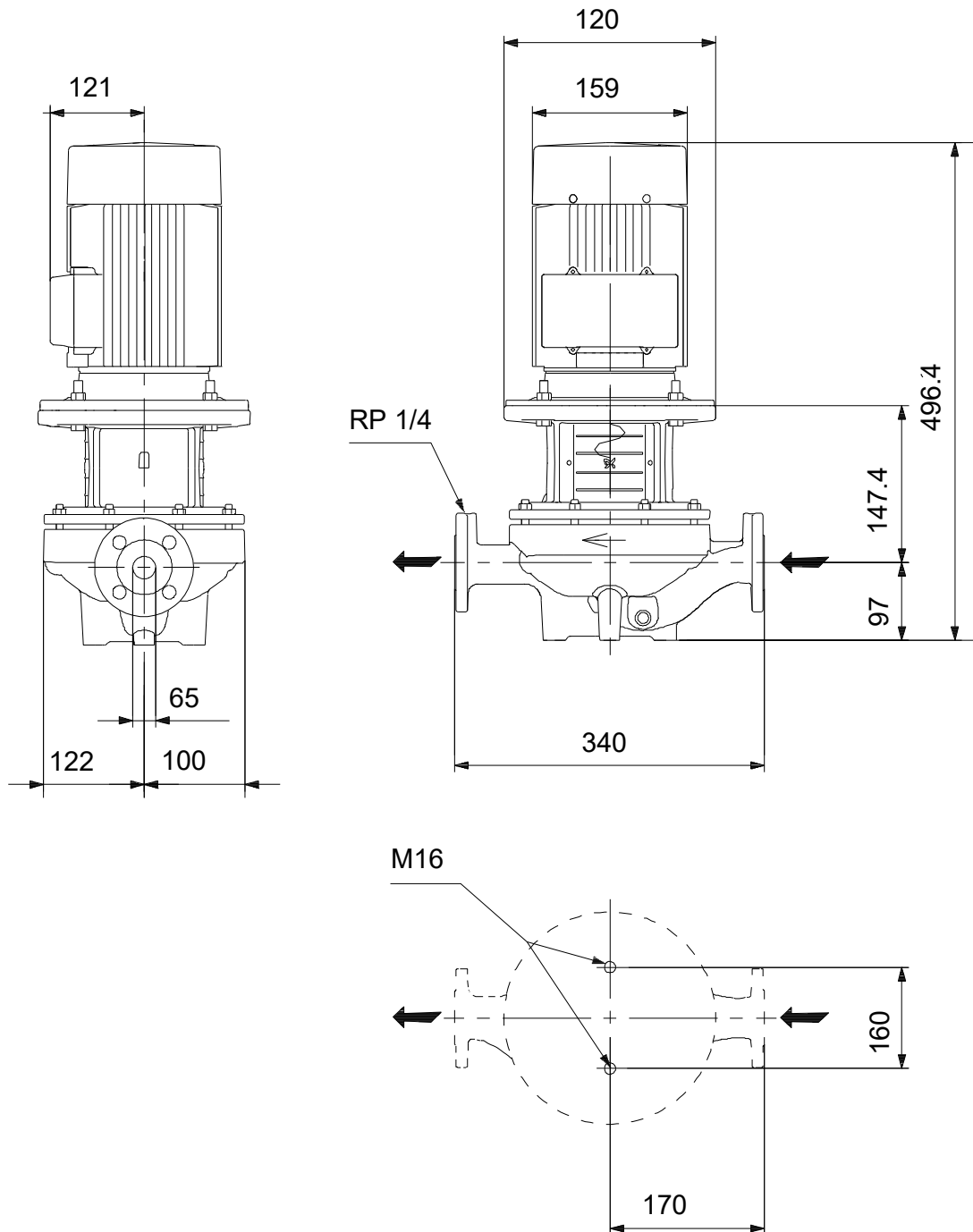
97897722 TP 65-60/4 A-F-Z-BQQE-EW3 50 Hz



Pumped liquid = Water
 Liquid temperature during operation = 20 °C
 Density = 998.2 kg/m³



97897722 TP 65-60/4 A-F-Z-BQQE-EW3 50 Hz



Note! All units are in [mm] unless others are stated.
Disclaimer: This simplified dimensional drawing does not show all details.