

**Qty. Description**

1 TP 65-60/2 A-F-Z-BQQE-EW1


**Note! Product picture may differ from actual product**

Product No.: [98165472](#)

Single-stage, close-coupled, volute pump with in-line suction and discharge ports of identical diameter. The pump is of the top-pull-out design, i.e. the power head (motor, pump head and impeller) can be removed for maintenance or service while the pump housing remains in the pipework.

The pump is fitted with an unbalanced rubber bellows seal. The shaft seal is according to EN 12756. Pipework connection is via PN 6/10 DIN flanges (EN 1092-2 and ISO 7005-2).

The pump is fitted with a fan-cooled asynchronous motor.

**Controls:**

Frequency converter: None

**Liquid:**

Pumped liquid: Water

Liquid temperature range: -25 .. 120 °C

Selected liquid temperature: 20 °C

Density: 998.2 kg/m<sup>3</sup>
**Technical:**

Pump speed on which pump data are based: 2800 rpm

Rated flow: 26.7 m<sup>3</sup>/h

Rated head: 3.85 m

Actual impeller diameter: 76 mm

Code for shaft seal: BQQE

Curve tolerance: ISO9906:2012 3B2

**Materials:**

Pump housing: Bronze

CuSn10

ASTM B505

Impeller: Stainless steel

EN 1.4301

AISI 304

**Installation:**

Range of ambient temperature: -30 .. 60 °C

Maximum operating pressure: 10 bar

Max pressure at stated temp: 10 bar / 120 °C

Type of connection: DIN

Size of connection: DN 65

Pressure rating for connection: PN 6/10

Port-to-port length: 340 mm

Flange size for motor: FT85

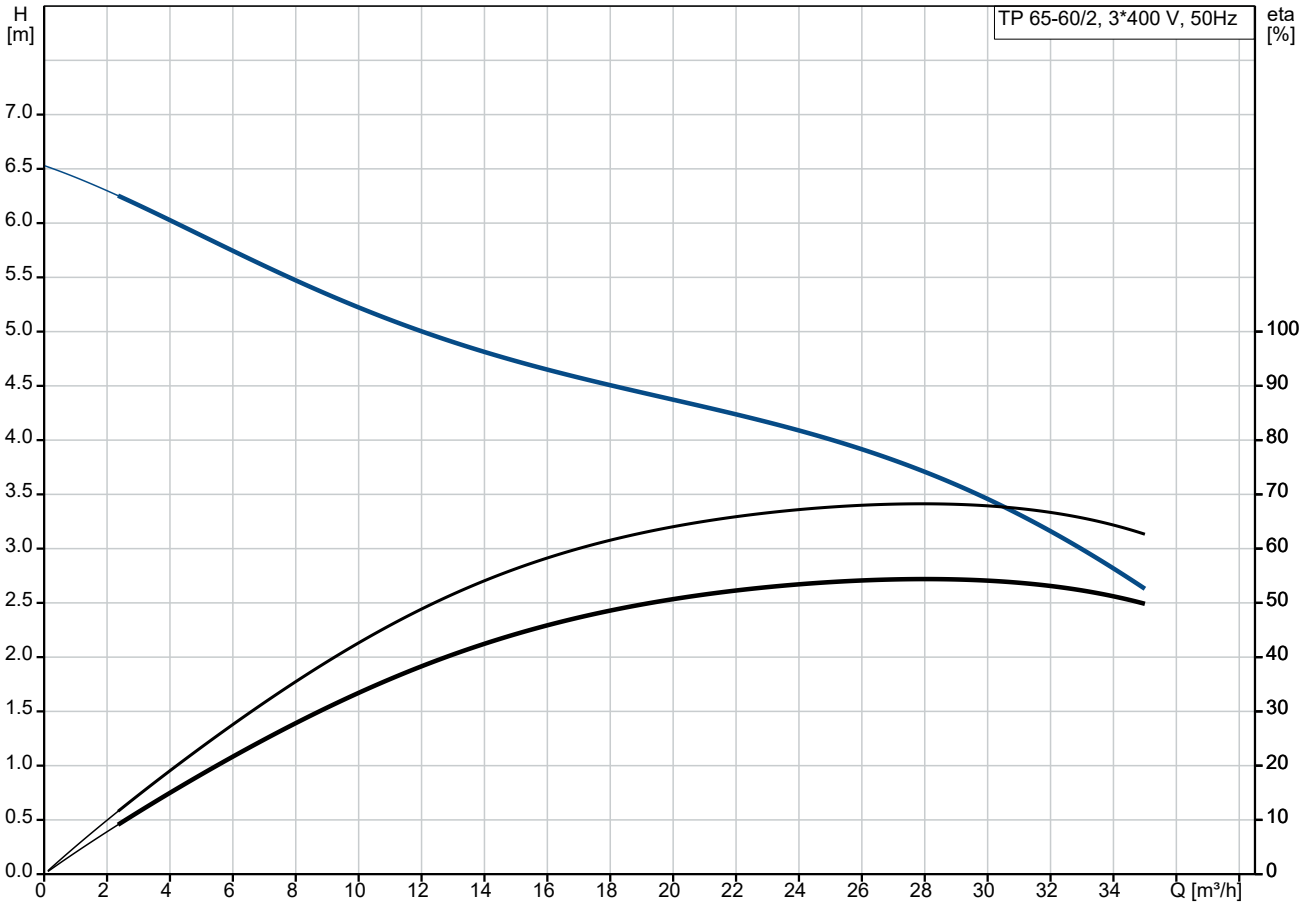
**Electrical data:**

Motor type: 71B

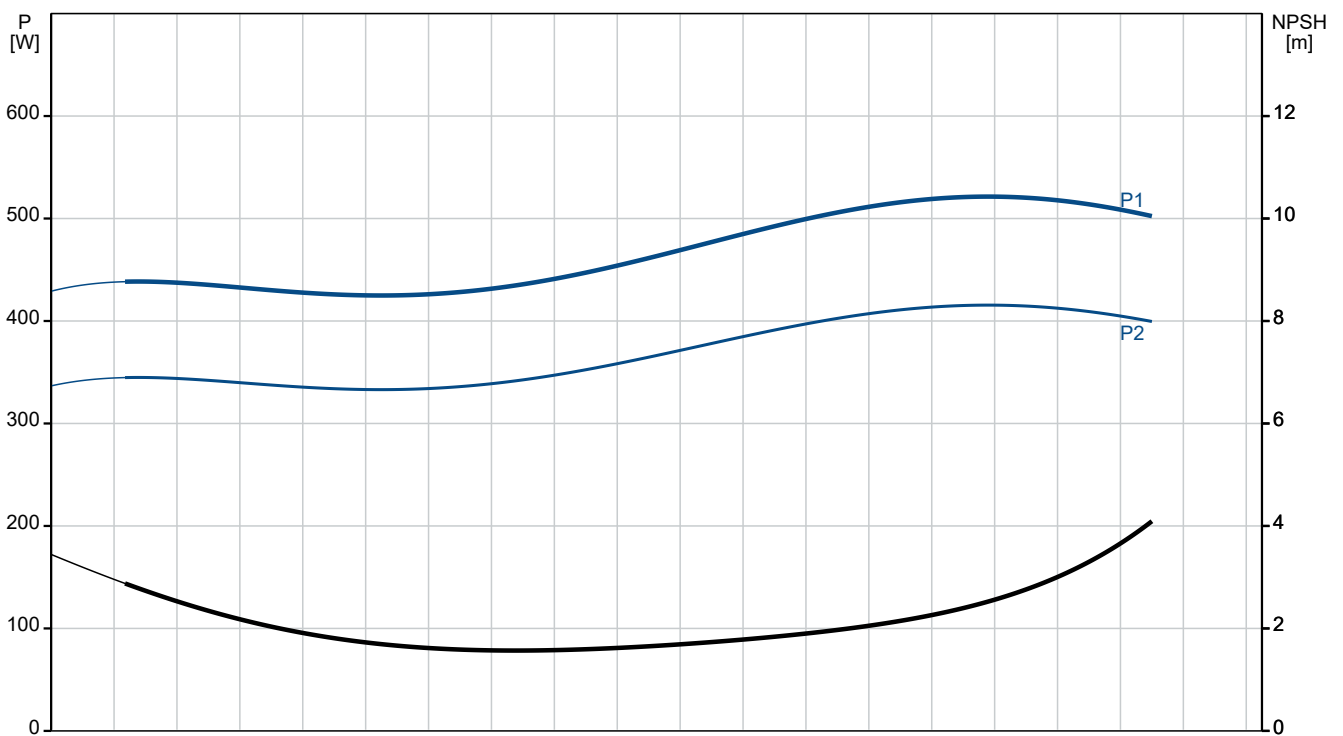
Qty.	Description
------	-------------

1	Rated power - P2: 0.55 kW Mains frequency: 50 Hz Rated voltage: 3 x 220-240D/380-415Y V Rated current: 2.50/1.44 A Starting current: 580-620 % Cos phi - power factor: 0.80-0.70 Rated speed: 2830-2850 rpm IE Efficiency class: IE3 Motor efficiency at full load: 77.8-77.8 % Motor efficiency at 3/4 load: 81.5-78.5 % Motor efficiency at 1/2 load: 79.5-74.5 % Number of poles: 2 Enclosure class (IEC 34-5): 55 Dust/Jetting Insulation class (IEC 85): F Motor No: 85805103  Others: Minimum efficiency index, MEI $\geq$ : 0.70 Net weight: 32 kg Gross weight: 35.5 kg Shipping volume: 0.08 m <sup>3</sup> Danish VVS No.: 381884060 Country of origin: HU Custom tariff no.: 84137051
---	---

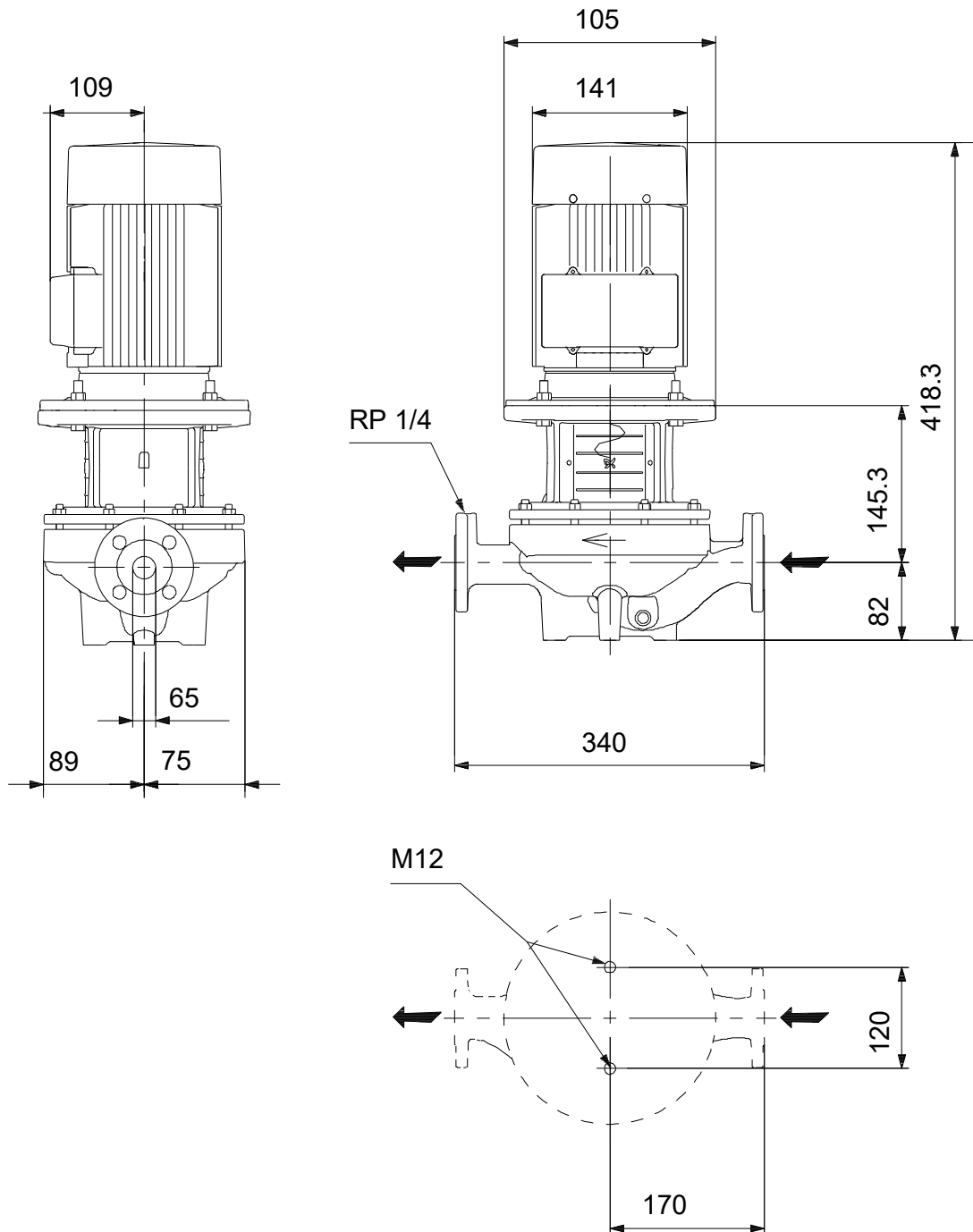
**98165472 TP 65-60/2 A-F-Z-BQQE-EW1 50 Hz**



Pumped liquid = Water  
Liquid temperature during operation = 20 °C  
Density = 998.2 kg/m³



**98165472 TP 65-60/2 A-F-Z-BQQE-EW1 50 Hz**



Note! All units are in [mm] unless others are stated.  
Disclaimer: This simplified dimensional drawing does not show all details.