

**Qty. Description**

1 TP 65-180/2 A-F-A-BQQE-HW1


**Note! Product picture may differ from actual product**

Product No.: [98420371](#)

Single-stage, close-coupled, volute pump with in-line suction and discharge ports of identical diameter. The pump is of the top-pull-out design, i.e. the power head (motor, pump head and impeller) can be removed for maintenance or service while the pump housing remains in the pipework.

The pump is fitted with an unbalanced rubber bellows seal. The shaft seal is according to EN 12756. Pipework connection is via PN 6/10 DIN flanges (EN 1092-2 and ISO 7005-2).

The pump is fitted with a fan-cooled asynchronous motor.

**Controls:**

Frequency converter: None

**Liquid:**

Pumped liquid: Water

Liquid temperature range: -25 .. 120 °C

Selected liquid temperature: 20 °C

Density: 998.2 kg/m<sup>3</sup>
**Technical:**

Pump speed on which pump data are based: 2830 rpm

Rated flow: 28 m<sup>3</sup>/h

Rated head: 11.4 m

Actual impeller diameter: 102 mm

Code for shaft seal: BQQE

Curve tolerance: ISO9906:2012 3B2

**Materials:**

Pump housing: Cast iron  
EN-GJL-250  
ASTM class 35

Impeller: Stainless steel  
EN 1.4301  
AISI 304

**Installation:**

Range of ambient temperature: -30 .. 60 °C

Maximum operating pressure: 10 bar

Max pressure at stated temp: 10 bar / 120 °C

Type of connection: DIN

Size of connection: DN 65

Pressure rating for connection: PN 6/10

Port-to-port length: 340 mm

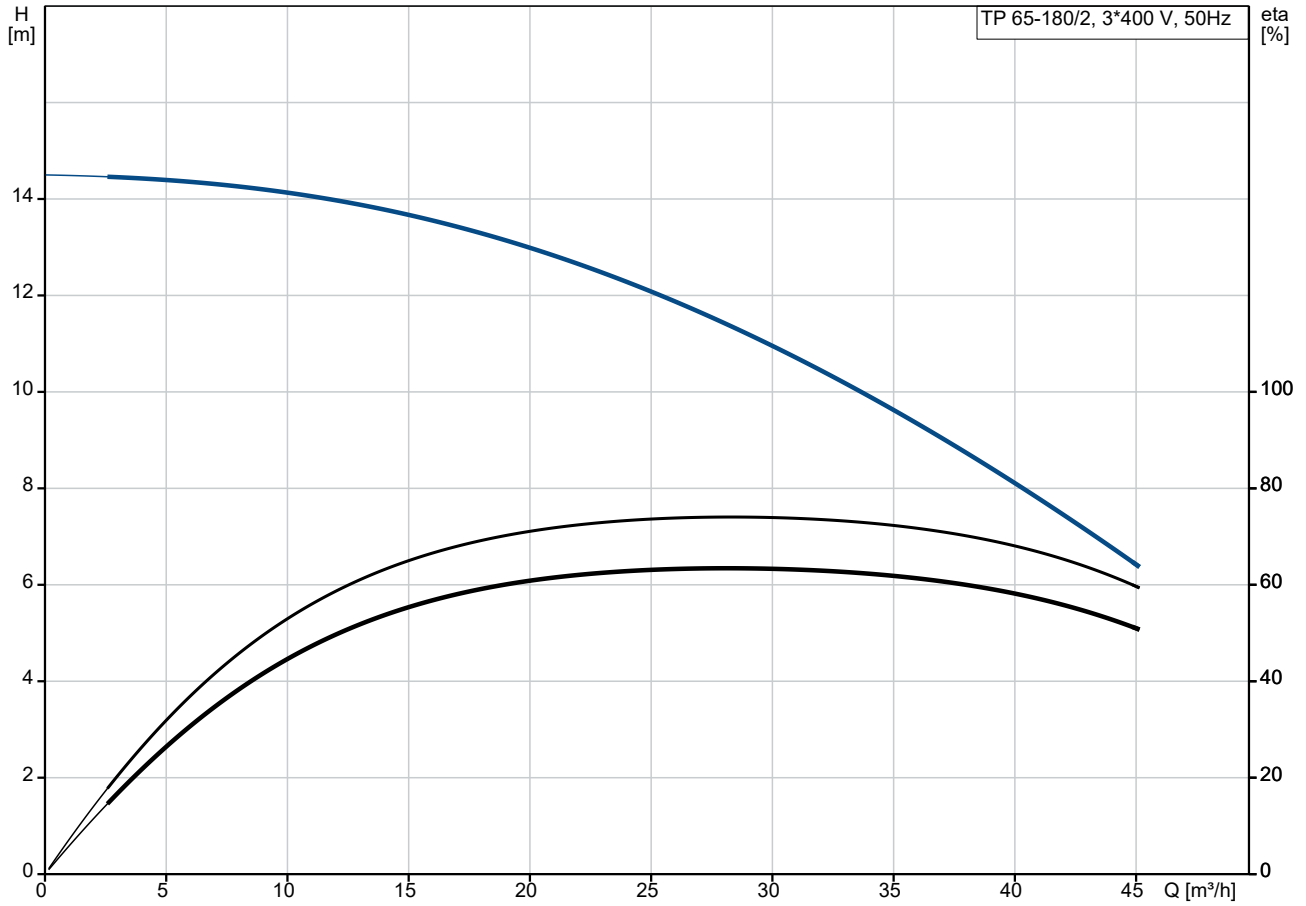
Flange size for motor: FT115

**Electrical data:**

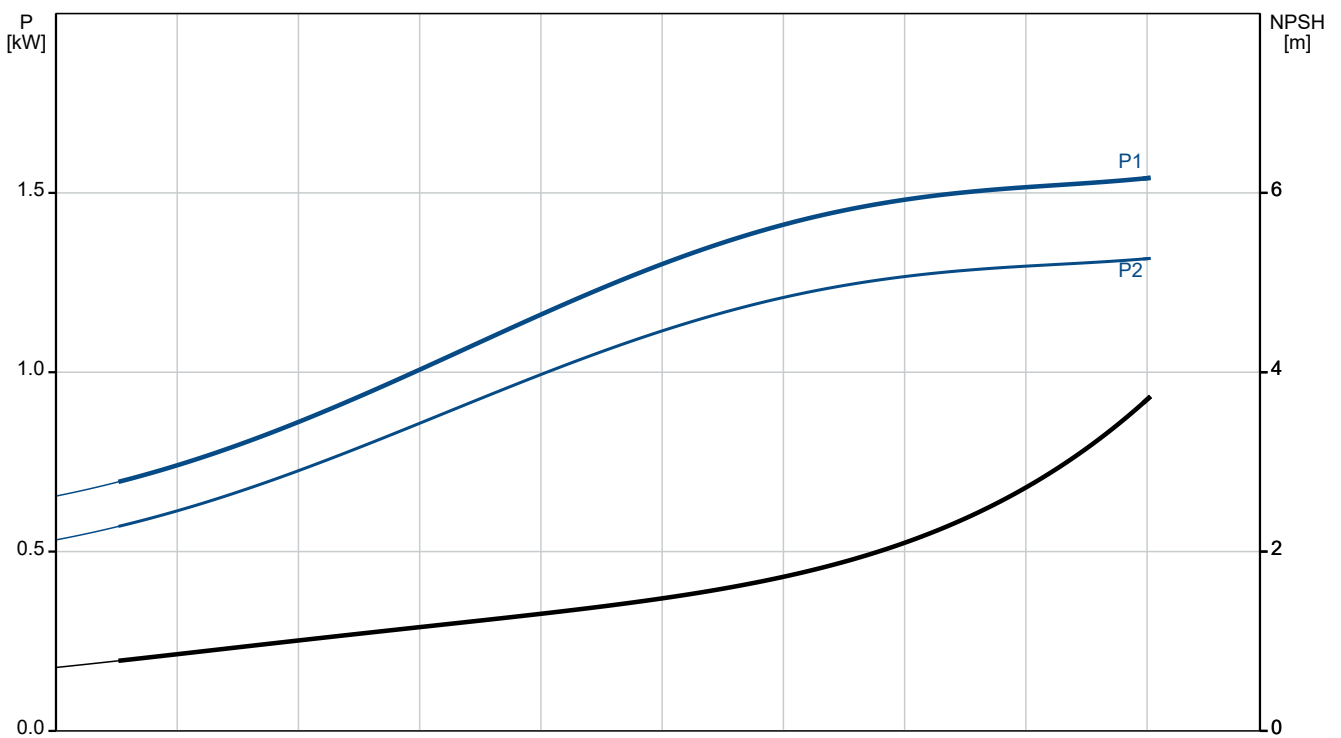
Motor type: 90SD

Qty.	Description																																																		
1	<table> <tr> <td>Rated power - P2:</td> <td>1.5 kW</td> </tr> <tr> <td>Mains frequency:</td> <td>50 Hz</td> </tr> <tr> <td>Rated voltage:</td> <td>3 x 220-240D/380-415Y V</td> </tr> <tr> <td>Rated current:</td> <td>5.70/3.30 A</td> </tr> <tr> <td>Starting current:</td> <td>750-820 %</td> </tr> <tr> <td>Cos phi - power factor:</td> <td>0.84-0.78</td> </tr> <tr> <td>Rated speed:</td> <td>2890-2910 rpm</td> </tr> <tr> <td>IE Efficiency class:</td> <td>IE3</td> </tr> <tr> <td>Motor efficiency at full load:</td> <td>84.2-84.2 %</td> </tr> <tr> <td>Motor efficiency at 3/4 load:</td> <td>86.4-84.9 %</td> </tr> <tr> <td>Motor efficiency at 1/2 load:</td> <td>86.0-83.0 %</td> </tr> <tr> <td>Number of poles:</td> <td>2</td> </tr> <tr> <td>Enclosure class (IEC 34-5):</td> <td>55 Dust/Jetting</td> </tr> <tr> <td>Insulation class (IEC 85):</td> <td>F</td> </tr> <tr> <td>Motor No:</td> <td>85U01906</td> </tr> <tr> <td colspan="2">Others:</td> </tr> <tr> <td>Minimum efficiency index, MEI ≥:</td> <td>0.70</td> </tr> <tr> <td>Net weight:</td> <td>41 kg</td> </tr> <tr> <td>Gross weight:</td> <td>46 kg</td> </tr> <tr> <td>Shipping volume:</td> <td>0.091 m<sup>3</sup></td> </tr> <tr> <td>Danish VVS No.:</td> <td>381814180</td> </tr> <tr> <td>Finnish LVI No.:</td> <td>4616076</td> </tr> <tr> <td>Norwegian NRF no.:</td> <td>9043571</td> </tr> <tr> <td>Country of origin:</td> <td>HU</td> </tr> <tr> <td>Custom tariff no.:</td> <td>84139100</td> </tr> </table>	Rated power - P2:	1.5 kW	Mains frequency:	50 Hz	Rated voltage:	3 x 220-240D/380-415Y V	Rated current:	5.70/3.30 A	Starting current:	750-820 %	Cos phi - power factor:	0.84-0.78	Rated speed:	2890-2910 rpm	IE Efficiency class:	IE3	Motor efficiency at full load:	84.2-84.2 %	Motor efficiency at 3/4 load:	86.4-84.9 %	Motor efficiency at 1/2 load:	86.0-83.0 %	Number of poles:	2	Enclosure class (IEC 34-5):	55 Dust/Jetting	Insulation class (IEC 85):	F	Motor No:	85U01906	Others:		Minimum efficiency index, MEI ≥:	0.70	Net weight:	41 kg	Gross weight:	46 kg	Shipping volume:	0.091 m <sup>3</sup>	Danish VVS No.:	381814180	Finnish LVI No.:	4616076	Norwegian NRF no.:	9043571	Country of origin:	HU	Custom tariff no.:	84139100
Rated power - P2:	1.5 kW																																																		
Mains frequency:	50 Hz																																																		
Rated voltage:	3 x 220-240D/380-415Y V																																																		
Rated current:	5.70/3.30 A																																																		
Starting current:	750-820 %																																																		
Cos phi - power factor:	0.84-0.78																																																		
Rated speed:	2890-2910 rpm																																																		
IE Efficiency class:	IE3																																																		
Motor efficiency at full load:	84.2-84.2 %																																																		
Motor efficiency at 3/4 load:	86.4-84.9 %																																																		
Motor efficiency at 1/2 load:	86.0-83.0 %																																																		
Number of poles:	2																																																		
Enclosure class (IEC 34-5):	55 Dust/Jetting																																																		
Insulation class (IEC 85):	F																																																		
Motor No:	85U01906																																																		
Others:																																																			
Minimum efficiency index, MEI ≥:	0.70																																																		
Net weight:	41 kg																																																		
Gross weight:	46 kg																																																		
Shipping volume:	0.091 m <sup>3</sup>																																																		
Danish VVS No.:	381814180																																																		
Finnish LVI No.:	4616076																																																		
Norwegian NRF no.:	9043571																																																		
Country of origin:	HU																																																		
Custom tariff no.:	84139100																																																		

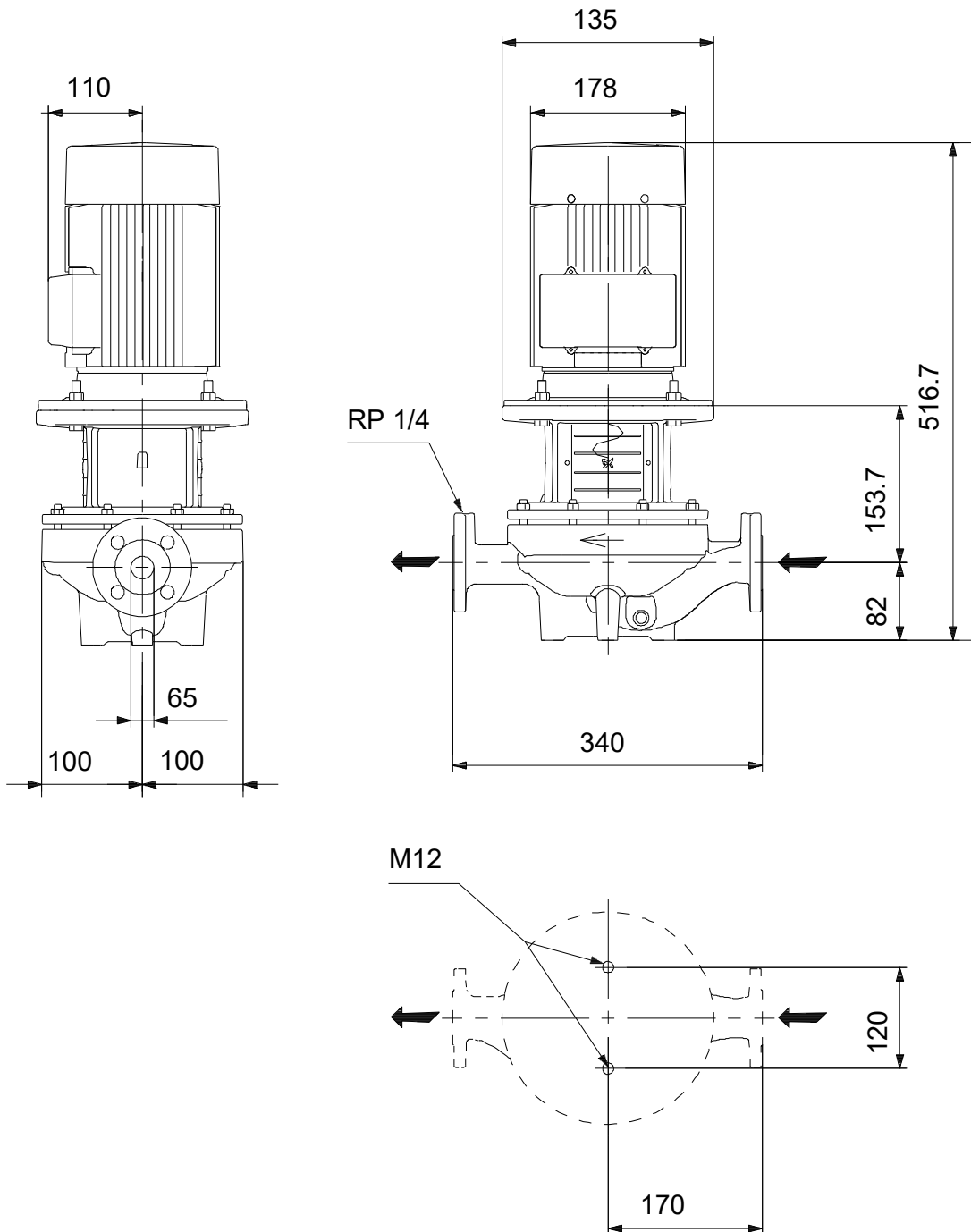
**98420371 TP 65-180/2 A-F-A-BQQE-HW1 50 Hz**



Pumped liquid = Water  
Liquid temperature during operation = 20 °C  
Density = 998.2 kg/m³



**98420371 TP 65-180/2 A-F-A-BQQE-HW1 50 Hz**



Note! All units are in [mm] unless others are stated.  
Disclaimer: This simplified dimensional drawing does not show all details.