

Qty. Description

1 TP 65-30/4 A-F-A-BQQE-CW3



Note! Product picture may differ from actual product

Product No.: [98436173](#)

Single-stage, close-coupled, volute pump with in-line suction and discharge ports of identical diameter. The pump is of the top-pull-out design, i.e. the power head (motor, pump head and impeller) can be removed for maintenance or service while the pump housing remains in the pipework.

The pump is fitted with an unbalanced rubber bellows seal. The shaft seal is according to EN 12756. Pipework connection is via PN 6/10 DIN flanges (EN 1092-2 and ISO 7005-2).

The pump is fitted with a fan-cooled asynchronous motor.

Controls:

Frequency converter: None

Liquid:

Pumped liquid: Water  
 Liquid temperature range: -25 .. 120 °C  
 Selected liquid temperature: 20 °C  
 Density: 998.2 kg/m<sup>3</sup>

Technical:

Pump speed on which pump data are based: 1450 rpm  
 Rated flow: 21.4 m<sup>3</sup>/h  
 Rated head: 2.01 m  
 Actual impeller diameter: 95 mm  
 Code for shaft seal: BQQE  
 Curve tolerance: ISO9906:2012 3B2

Materials:

Pump housing: Cast iron  
 EN-GJL-250  
 ASTM class 35  
 Impeller: Stainless steel  
 EN 1.4301  
 AISI 304

Installation:

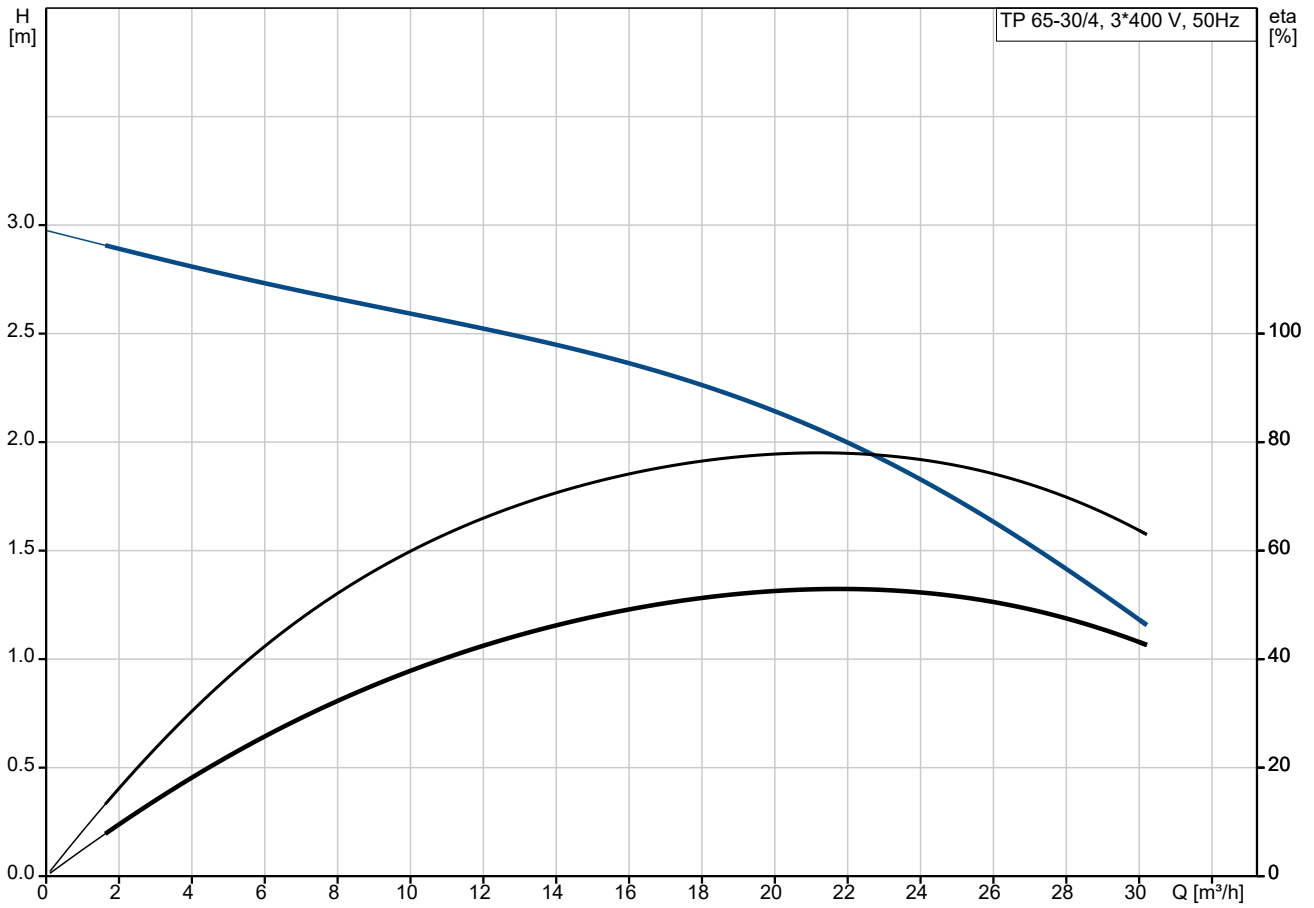
Range of ambient temperature: -30 .. 40 °C  
 Maximum operating pressure: 10 bar  
 Max pressure at stated temp: 10 bar / 120 °C  
 Type of connection: DIN  
 Size of connection: DN 65  
 Pressure rating for connection: PN 6/10  
 Port-to-port length: 340 mm  
 Flange size for motor: FT85

Electrical data:

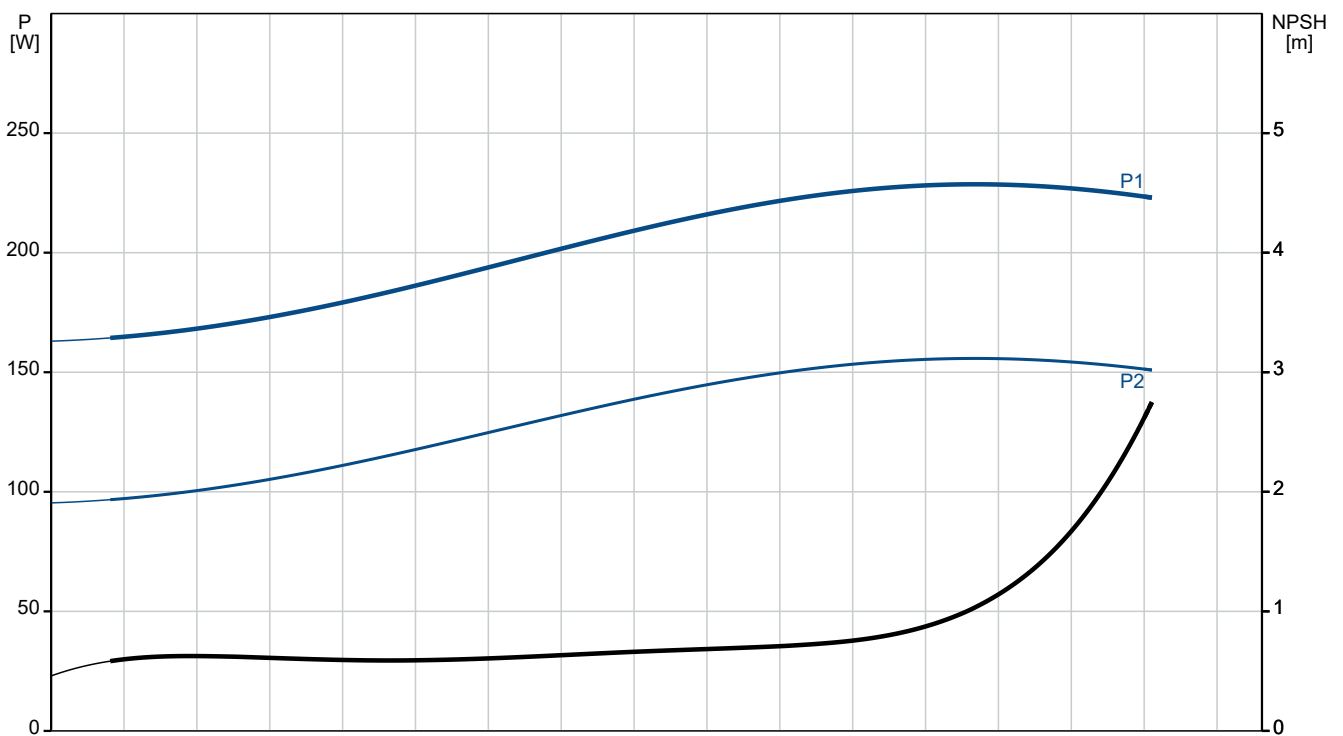
Motor type: 71A

| Qty.                             | Description                                                                                                                                                                                                                                                                                                                                                                                                                                                                                                                                                                                                                                                                                                                                                                                                                                                                                                                                                                                                                                                                                                                                                                                                                                                                                                                                                                                                                                                                                                                               |                   |         |                  |       |                |                         |                |                       |                   |       |                         |           |              |               |                      |     |                                |             |                               |             |                               |             |                  |   |                             |                 |                            |   |           |          |         |  |                                  |      |             |         |               |         |                  |                      |                 |           |                  |         |                    |         |                    |    |                    |          |
|----------------------------------|-------------------------------------------------------------------------------------------------------------------------------------------------------------------------------------------------------------------------------------------------------------------------------------------------------------------------------------------------------------------------------------------------------------------------------------------------------------------------------------------------------------------------------------------------------------------------------------------------------------------------------------------------------------------------------------------------------------------------------------------------------------------------------------------------------------------------------------------------------------------------------------------------------------------------------------------------------------------------------------------------------------------------------------------------------------------------------------------------------------------------------------------------------------------------------------------------------------------------------------------------------------------------------------------------------------------------------------------------------------------------------------------------------------------------------------------------------------------------------------------------------------------------------------------|-------------------|---------|------------------|-------|----------------|-------------------------|----------------|-----------------------|-------------------|-------|-------------------------|-----------|--------------|---------------|----------------------|-----|--------------------------------|-------------|-------------------------------|-------------|-------------------------------|-------------|------------------|---|-----------------------------|-----------------|----------------------------|---|-----------|----------|---------|--|----------------------------------|------|-------------|---------|---------------|---------|------------------|----------------------|-----------------|-----------|------------------|---------|--------------------|---------|--------------------|----|--------------------|----------|
| 1                                | <table border="0"> <tr> <td>Rated power - P2:</td> <td>0.25 kW</td> </tr> <tr> <td>Mains frequency:</td> <td>50 Hz</td> </tr> <tr> <td>Rated voltage:</td> <td>3 x 220-240D/380-415Y V</td> </tr> <tr> <td>Rated current:</td> <td>1,30-1,42/0,75-0,82 A</td> </tr> <tr> <td>Starting current:</td> <td>410 %</td> </tr> <tr> <td>Cos phi - power factor:</td> <td>0.73-0.64</td> </tr> <tr> <td>Rated speed:</td> <td>1410-1430 rpm</td> </tr> <tr> <td>IE Efficiency class:</td> <td>IE2</td> </tr> <tr> <td>Motor efficiency at full load:</td> <td>72.4-70.0 %</td> </tr> <tr> <td>Motor efficiency at 3/4 load:</td> <td>72.6-67.3 %</td> </tr> <tr> <td>Motor efficiency at 1/2 load:</td> <td>68.3-60.0 %</td> </tr> <tr> <td>Number of poles:</td> <td>4</td> </tr> <tr> <td>Enclosure class (IEC 34-5):</td> <td>55 Dust/Jetting</td> </tr> <tr> <td>Insulation class (IEC 85):</td> <td>F</td> </tr> <tr> <td>Motor No:</td> <td>99928151</td> </tr> <tr> <td colspan="2">Others:</td> </tr> <tr> <td>Minimum efficiency index, MEI ≥:</td> <td>0.70</td> </tr> <tr> <td>Net weight:</td> <td>31.5 kg</td> </tr> <tr> <td>Gross weight:</td> <td>36.2 kg</td> </tr> <tr> <td>Shipping volume:</td> <td>0.091 m<sup>3</sup></td> </tr> <tr> <td>Danish VVS No.:</td> <td>381824030</td> </tr> <tr> <td>Finnish LVI No.:</td> <td>4616067</td> </tr> <tr> <td>Norwegian NRF no.:</td> <td>9043572</td> </tr> <tr> <td>Country of origin:</td> <td>HU</td> </tr> <tr> <td>Custom tariff no.:</td> <td>84137051</td> </tr> </table> | Rated power - P2: | 0.25 kW | Mains frequency: | 50 Hz | Rated voltage: | 3 x 220-240D/380-415Y V | Rated current: | 1,30-1,42/0,75-0,82 A | Starting current: | 410 % | Cos phi - power factor: | 0.73-0.64 | Rated speed: | 1410-1430 rpm | IE Efficiency class: | IE2 | Motor efficiency at full load: | 72.4-70.0 % | Motor efficiency at 3/4 load: | 72.6-67.3 % | Motor efficiency at 1/2 load: | 68.3-60.0 % | Number of poles: | 4 | Enclosure class (IEC 34-5): | 55 Dust/Jetting | Insulation class (IEC 85): | F | Motor No: | 99928151 | Others: |  | Minimum efficiency index, MEI ≥: | 0.70 | Net weight: | 31.5 kg | Gross weight: | 36.2 kg | Shipping volume: | 0.091 m <sup>3</sup> | Danish VVS No.: | 381824030 | Finnish LVI No.: | 4616067 | Norwegian NRF no.: | 9043572 | Country of origin: | HU | Custom tariff no.: | 84137051 |
| Rated power - P2:                | 0.25 kW                                                                                                                                                                                                                                                                                                                                                                                                                                                                                                                                                                                                                                                                                                                                                                                                                                                                                                                                                                                                                                                                                                                                                                                                                                                                                                                                                                                                                                                                                                                                   |                   |         |                  |       |                |                         |                |                       |                   |       |                         |           |              |               |                      |     |                                |             |                               |             |                               |             |                  |   |                             |                 |                            |   |           |          |         |  |                                  |      |             |         |               |         |                  |                      |                 |           |                  |         |                    |         |                    |    |                    |          |
| Mains frequency:                 | 50 Hz                                                                                                                                                                                                                                                                                                                                                                                                                                                                                                                                                                                                                                                                                                                                                                                                                                                                                                                                                                                                                                                                                                                                                                                                                                                                                                                                                                                                                                                                                                                                     |                   |         |                  |       |                |                         |                |                       |                   |       |                         |           |              |               |                      |     |                                |             |                               |             |                               |             |                  |   |                             |                 |                            |   |           |          |         |  |                                  |      |             |         |               |         |                  |                      |                 |           |                  |         |                    |         |                    |    |                    |          |
| Rated voltage:                   | 3 x 220-240D/380-415Y V                                                                                                                                                                                                                                                                                                                                                                                                                                                                                                                                                                                                                                                                                                                                                                                                                                                                                                                                                                                                                                                                                                                                                                                                                                                                                                                                                                                                                                                                                                                   |                   |         |                  |       |                |                         |                |                       |                   |       |                         |           |              |               |                      |     |                                |             |                               |             |                               |             |                  |   |                             |                 |                            |   |           |          |         |  |                                  |      |             |         |               |         |                  |                      |                 |           |                  |         |                    |         |                    |    |                    |          |
| Rated current:                   | 1,30-1,42/0,75-0,82 A                                                                                                                                                                                                                                                                                                                                                                                                                                                                                                                                                                                                                                                                                                                                                                                                                                                                                                                                                                                                                                                                                                                                                                                                                                                                                                                                                                                                                                                                                                                     |                   |         |                  |       |                |                         |                |                       |                   |       |                         |           |              |               |                      |     |                                |             |                               |             |                               |             |                  |   |                             |                 |                            |   |           |          |         |  |                                  |      |             |         |               |         |                  |                      |                 |           |                  |         |                    |         |                    |    |                    |          |
| Starting current:                | 410 %                                                                                                                                                                                                                                                                                                                                                                                                                                                                                                                                                                                                                                                                                                                                                                                                                                                                                                                                                                                                                                                                                                                                                                                                                                                                                                                                                                                                                                                                                                                                     |                   |         |                  |       |                |                         |                |                       |                   |       |                         |           |              |               |                      |     |                                |             |                               |             |                               |             |                  |   |                             |                 |                            |   |           |          |         |  |                                  |      |             |         |               |         |                  |                      |                 |           |                  |         |                    |         |                    |    |                    |          |
| Cos phi - power factor:          | 0.73-0.64                                                                                                                                                                                                                                                                                                                                                                                                                                                                                                                                                                                                                                                                                                                                                                                                                                                                                                                                                                                                                                                                                                                                                                                                                                                                                                                                                                                                                                                                                                                                 |                   |         |                  |       |                |                         |                |                       |                   |       |                         |           |              |               |                      |     |                                |             |                               |             |                               |             |                  |   |                             |                 |                            |   |           |          |         |  |                                  |      |             |         |               |         |                  |                      |                 |           |                  |         |                    |         |                    |    |                    |          |
| Rated speed:                     | 1410-1430 rpm                                                                                                                                                                                                                                                                                                                                                                                                                                                                                                                                                                                                                                                                                                                                                                                                                                                                                                                                                                                                                                                                                                                                                                                                                                                                                                                                                                                                                                                                                                                             |                   |         |                  |       |                |                         |                |                       |                   |       |                         |           |              |               |                      |     |                                |             |                               |             |                               |             |                  |   |                             |                 |                            |   |           |          |         |  |                                  |      |             |         |               |         |                  |                      |                 |           |                  |         |                    |         |                    |    |                    |          |
| IE Efficiency class:             | IE2                                                                                                                                                                                                                                                                                                                                                                                                                                                                                                                                                                                                                                                                                                                                                                                                                                                                                                                                                                                                                                                                                                                                                                                                                                                                                                                                                                                                                                                                                                                                       |                   |         |                  |       |                |                         |                |                       |                   |       |                         |           |              |               |                      |     |                                |             |                               |             |                               |             |                  |   |                             |                 |                            |   |           |          |         |  |                                  |      |             |         |               |         |                  |                      |                 |           |                  |         |                    |         |                    |    |                    |          |
| Motor efficiency at full load:   | 72.4-70.0 %                                                                                                                                                                                                                                                                                                                                                                                                                                                                                                                                                                                                                                                                                                                                                                                                                                                                                                                                                                                                                                                                                                                                                                                                                                                                                                                                                                                                                                                                                                                               |                   |         |                  |       |                |                         |                |                       |                   |       |                         |           |              |               |                      |     |                                |             |                               |             |                               |             |                  |   |                             |                 |                            |   |           |          |         |  |                                  |      |             |         |               |         |                  |                      |                 |           |                  |         |                    |         |                    |    |                    |          |
| Motor efficiency at 3/4 load:    | 72.6-67.3 %                                                                                                                                                                                                                                                                                                                                                                                                                                                                                                                                                                                                                                                                                                                                                                                                                                                                                                                                                                                                                                                                                                                                                                                                                                                                                                                                                                                                                                                                                                                               |                   |         |                  |       |                |                         |                |                       |                   |       |                         |           |              |               |                      |     |                                |             |                               |             |                               |             |                  |   |                             |                 |                            |   |           |          |         |  |                                  |      |             |         |               |         |                  |                      |                 |           |                  |         |                    |         |                    |    |                    |          |
| Motor efficiency at 1/2 load:    | 68.3-60.0 %                                                                                                                                                                                                                                                                                                                                                                                                                                                                                                                                                                                                                                                                                                                                                                                                                                                                                                                                                                                                                                                                                                                                                                                                                                                                                                                                                                                                                                                                                                                               |                   |         |                  |       |                |                         |                |                       |                   |       |                         |           |              |               |                      |     |                                |             |                               |             |                               |             |                  |   |                             |                 |                            |   |           |          |         |  |                                  |      |             |         |               |         |                  |                      |                 |           |                  |         |                    |         |                    |    |                    |          |
| Number of poles:                 | 4                                                                                                                                                                                                                                                                                                                                                                                                                                                                                                                                                                                                                                                                                                                                                                                                                                                                                                                                                                                                                                                                                                                                                                                                                                                                                                                                                                                                                                                                                                                                         |                   |         |                  |       |                |                         |                |                       |                   |       |                         |           |              |               |                      |     |                                |             |                               |             |                               |             |                  |   |                             |                 |                            |   |           |          |         |  |                                  |      |             |         |               |         |                  |                      |                 |           |                  |         |                    |         |                    |    |                    |          |
| Enclosure class (IEC 34-5):      | 55 Dust/Jetting                                                                                                                                                                                                                                                                                                                                                                                                                                                                                                                                                                                                                                                                                                                                                                                                                                                                                                                                                                                                                                                                                                                                                                                                                                                                                                                                                                                                                                                                                                                           |                   |         |                  |       |                |                         |                |                       |                   |       |                         |           |              |               |                      |     |                                |             |                               |             |                               |             |                  |   |                             |                 |                            |   |           |          |         |  |                                  |      |             |         |               |         |                  |                      |                 |           |                  |         |                    |         |                    |    |                    |          |
| Insulation class (IEC 85):       | F                                                                                                                                                                                                                                                                                                                                                                                                                                                                                                                                                                                                                                                                                                                                                                                                                                                                                                                                                                                                                                                                                                                                                                                                                                                                                                                                                                                                                                                                                                                                         |                   |         |                  |       |                |                         |                |                       |                   |       |                         |           |              |               |                      |     |                                |             |                               |             |                               |             |                  |   |                             |                 |                            |   |           |          |         |  |                                  |      |             |         |               |         |                  |                      |                 |           |                  |         |                    |         |                    |    |                    |          |
| Motor No:                        | 99928151                                                                                                                                                                                                                                                                                                                                                                                                                                                                                                                                                                                                                                                                                                                                                                                                                                                                                                                                                                                                                                                                                                                                                                                                                                                                                                                                                                                                                                                                                                                                  |                   |         |                  |       |                |                         |                |                       |                   |       |                         |           |              |               |                      |     |                                |             |                               |             |                               |             |                  |   |                             |                 |                            |   |           |          |         |  |                                  |      |             |         |               |         |                  |                      |                 |           |                  |         |                    |         |                    |    |                    |          |
| Others:                          |                                                                                                                                                                                                                                                                                                                                                                                                                                                                                                                                                                                                                                                                                                                                                                                                                                                                                                                                                                                                                                                                                                                                                                                                                                                                                                                                                                                                                                                                                                                                           |                   |         |                  |       |                |                         |                |                       |                   |       |                         |           |              |               |                      |     |                                |             |                               |             |                               |             |                  |   |                             |                 |                            |   |           |          |         |  |                                  |      |             |         |               |         |                  |                      |                 |           |                  |         |                    |         |                    |    |                    |          |
| Minimum efficiency index, MEI ≥: | 0.70                                                                                                                                                                                                                                                                                                                                                                                                                                                                                                                                                                                                                                                                                                                                                                                                                                                                                                                                                                                                                                                                                                                                                                                                                                                                                                                                                                                                                                                                                                                                      |                   |         |                  |       |                |                         |                |                       |                   |       |                         |           |              |               |                      |     |                                |             |                               |             |                               |             |                  |   |                             |                 |                            |   |           |          |         |  |                                  |      |             |         |               |         |                  |                      |                 |           |                  |         |                    |         |                    |    |                    |          |
| Net weight:                      | 31.5 kg                                                                                                                                                                                                                                                                                                                                                                                                                                                                                                                                                                                                                                                                                                                                                                                                                                                                                                                                                                                                                                                                                                                                                                                                                                                                                                                                                                                                                                                                                                                                   |                   |         |                  |       |                |                         |                |                       |                   |       |                         |           |              |               |                      |     |                                |             |                               |             |                               |             |                  |   |                             |                 |                            |   |           |          |         |  |                                  |      |             |         |               |         |                  |                      |                 |           |                  |         |                    |         |                    |    |                    |          |
| Gross weight:                    | 36.2 kg                                                                                                                                                                                                                                                                                                                                                                                                                                                                                                                                                                                                                                                                                                                                                                                                                                                                                                                                                                                                                                                                                                                                                                                                                                                                                                                                                                                                                                                                                                                                   |                   |         |                  |       |                |                         |                |                       |                   |       |                         |           |              |               |                      |     |                                |             |                               |             |                               |             |                  |   |                             |                 |                            |   |           |          |         |  |                                  |      |             |         |               |         |                  |                      |                 |           |                  |         |                    |         |                    |    |                    |          |
| Shipping volume:                 | 0.091 m <sup>3</sup>                                                                                                                                                                                                                                                                                                                                                                                                                                                                                                                                                                                                                                                                                                                                                                                                                                                                                                                                                                                                                                                                                                                                                                                                                                                                                                                                                                                                                                                                                                                      |                   |         |                  |       |                |                         |                |                       |                   |       |                         |           |              |               |                      |     |                                |             |                               |             |                               |             |                  |   |                             |                 |                            |   |           |          |         |  |                                  |      |             |         |               |         |                  |                      |                 |           |                  |         |                    |         |                    |    |                    |          |
| Danish VVS No.:                  | 381824030                                                                                                                                                                                                                                                                                                                                                                                                                                                                                                                                                                                                                                                                                                                                                                                                                                                                                                                                                                                                                                                                                                                                                                                                                                                                                                                                                                                                                                                                                                                                 |                   |         |                  |       |                |                         |                |                       |                   |       |                         |           |              |               |                      |     |                                |             |                               |             |                               |             |                  |   |                             |                 |                            |   |           |          |         |  |                                  |      |             |         |               |         |                  |                      |                 |           |                  |         |                    |         |                    |    |                    |          |
| Finnish LVI No.:                 | 4616067                                                                                                                                                                                                                                                                                                                                                                                                                                                                                                                                                                                                                                                                                                                                                                                                                                                                                                                                                                                                                                                                                                                                                                                                                                                                                                                                                                                                                                                                                                                                   |                   |         |                  |       |                |                         |                |                       |                   |       |                         |           |              |               |                      |     |                                |             |                               |             |                               |             |                  |   |                             |                 |                            |   |           |          |         |  |                                  |      |             |         |               |         |                  |                      |                 |           |                  |         |                    |         |                    |    |                    |          |
| Norwegian NRF no.:               | 9043572                                                                                                                                                                                                                                                                                                                                                                                                                                                                                                                                                                                                                                                                                                                                                                                                                                                                                                                                                                                                                                                                                                                                                                                                                                                                                                                                                                                                                                                                                                                                   |                   |         |                  |       |                |                         |                |                       |                   |       |                         |           |              |               |                      |     |                                |             |                               |             |                               |             |                  |   |                             |                 |                            |   |           |          |         |  |                                  |      |             |         |               |         |                  |                      |                 |           |                  |         |                    |         |                    |    |                    |          |
| Country of origin:               | HU                                                                                                                                                                                                                                                                                                                                                                                                                                                                                                                                                                                                                                                                                                                                                                                                                                                                                                                                                                                                                                                                                                                                                                                                                                                                                                                                                                                                                                                                                                                                        |                   |         |                  |       |                |                         |                |                       |                   |       |                         |           |              |               |                      |     |                                |             |                               |             |                               |             |                  |   |                             |                 |                            |   |           |          |         |  |                                  |      |             |         |               |         |                  |                      |                 |           |                  |         |                    |         |                    |    |                    |          |
| Custom tariff no.:               | 84137051                                                                                                                                                                                                                                                                                                                                                                                                                                                                                                                                                                                                                                                                                                                                                                                                                                                                                                                                                                                                                                                                                                                                                                                                                                                                                                                                                                                                                                                                                                                                  |                   |         |                  |       |                |                         |                |                       |                   |       |                         |           |              |               |                      |     |                                |             |                               |             |                               |             |                  |   |                             |                 |                            |   |           |          |         |  |                                  |      |             |         |               |         |                  |                      |                 |           |                  |         |                    |         |                    |    |                    |          |

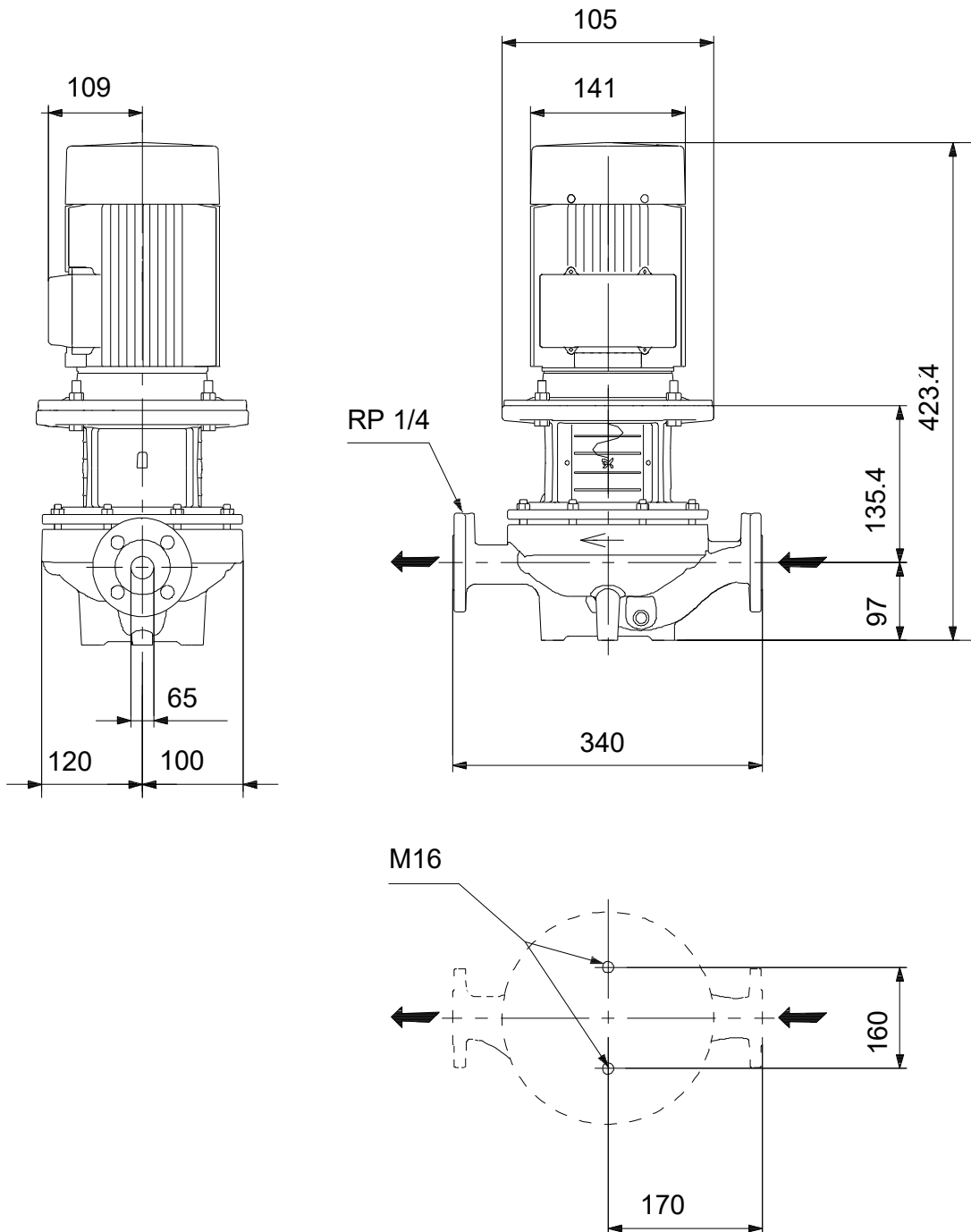
### 98436173 TP 65-30/4 A-F-A-BQQE-CW3 50 Hz



Pumped liquid = Water  
 Liquid temperature during operation = 20 °C  
 Density = 998.2 kg/m³



**98436173 TP 65-30/4 A-F-A-BQQE-CW3 50 Hz**



Note! All units are in [mm] unless others are stated.  
Disclaimer: This simplified dimensional drawing does not show all details.