

Qty. Description

1 TP 65-120/2 A-F-A-BQQE-GW1



Note! Product picture may differ from actual product

Product No.: [98585759](#)

Single-stage, close-coupled, volute pump with in-line suction and discharge ports of identical diameter. The pump is of the top-pull-out design, i.e. the power head (motor, pump head and impeller) can be removed for maintenance or service while the pump housing remains in the pipework.

The pump is fitted with an unbalanced rubber bellows seal. The shaft seal is according to EN 12756. Pipework connection is via PN 6/10 DIN flanges (EN 1092-2 and ISO 7005-2).

The pump is fitted with a fan-cooled asynchronous motor.

Controls:

Frequency converter: None

Liquid:

Pumped liquid: Water  
 Liquid temperature range: -25 .. 120 °C  
 Selected liquid temperature: 20 °C  
 Density: 998.2 kg/m<sup>3</sup>

Technical:

Pump speed on which pump data are based: 2880 rpm  
 Rated flow: 25.7 m<sup>3</sup>/h  
 Rated head: 8.3 m  
 Actual impeller diameter: 91 mm  
 Code for shaft seal: BQQE  
 Curve tolerance: ISO9906:2012 3B2

Materials:

Pump housing: Cast iron  
 EN-GJL-250  
 ASTM class 35  
 Impeller: Stainless steel  
 EN 1.4301  
 AISI 304

Installation:

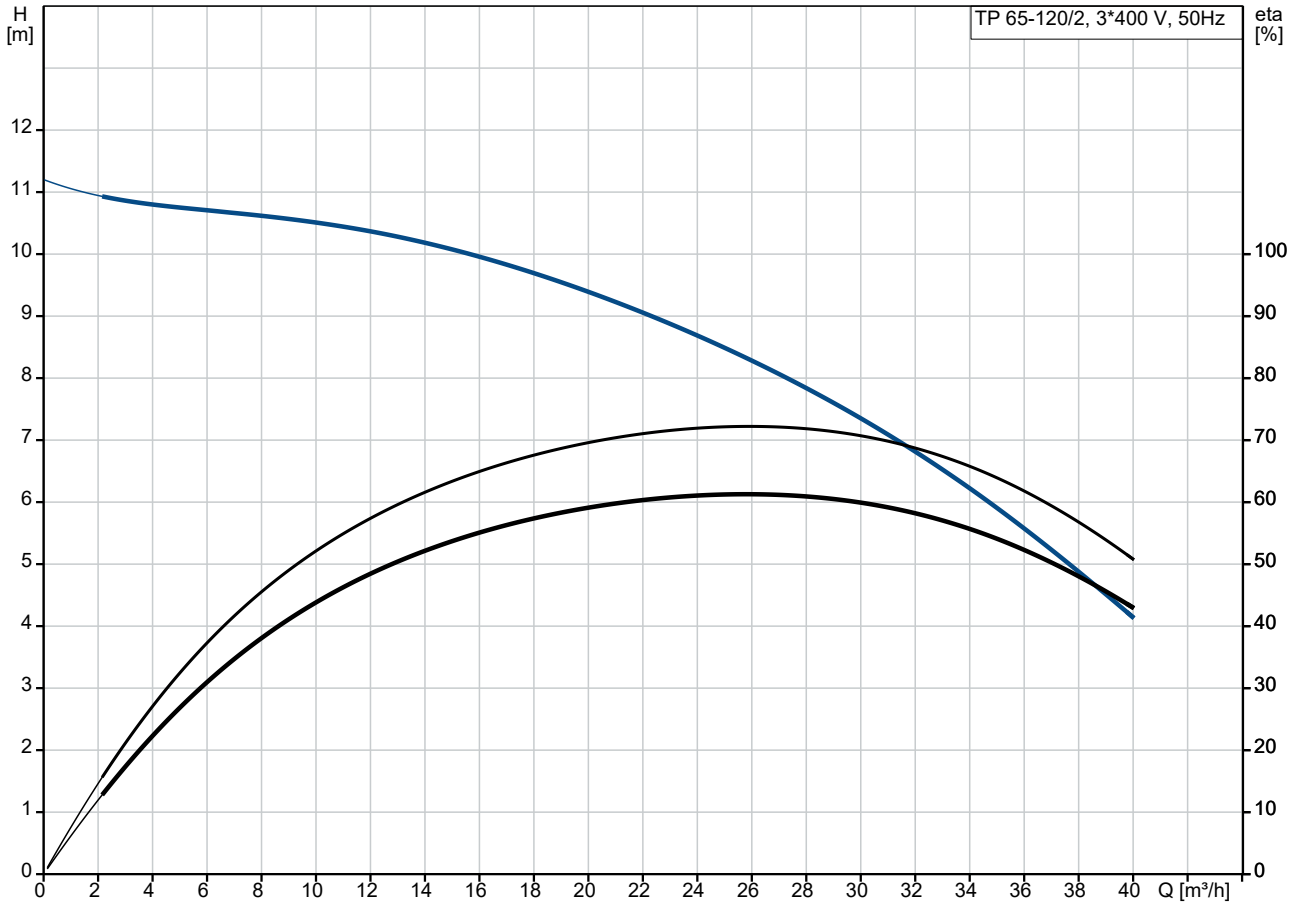
Range of ambient temperature: -30 .. 60 °C  
 Maximum operating pressure: 10 bar  
 Max pressure at stated temp: 10 bar / 120 °C  
 Type of connection: DIN  
 Size of connection: DN 65  
 Pressure rating for connection: PN 6/10  
 Port-to-port length: 340 mm  
 Flange size for motor: FT100

Electrical data:

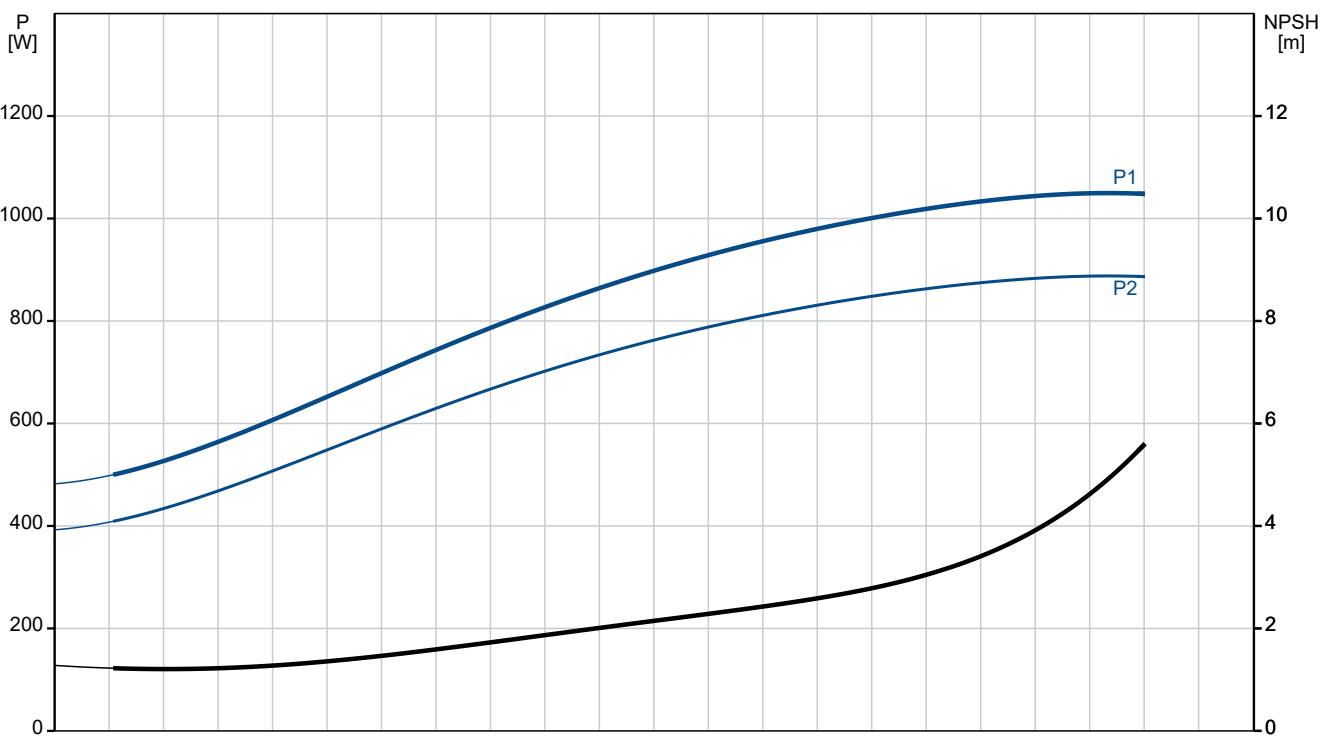
Motor type: 80C

Qty.	Description																																																		
1	<table> <tr> <td>Rated power - P2:</td> <td>1.1 kW</td> </tr> <tr> <td>Mains frequency:</td> <td>50 Hz</td> </tr> <tr> <td>Rated voltage:</td> <td>3 x 220-240D/380-415Y V</td> </tr> <tr> <td>Rated current:</td> <td>4.35/2.50 A</td> </tr> <tr> <td>Starting current:</td> <td>450-500 %</td> </tr> <tr> <td>Cos phi - power factor:</td> <td>0.83-0.76</td> </tr> <tr> <td>Rated speed:</td> <td>2840-2870 rpm</td> </tr> <tr> <td>IE Efficiency class:</td> <td>IE3</td> </tr> <tr> <td>Motor efficiency at full load:</td> <td>82.7-82.7 %</td> </tr> <tr> <td>Motor efficiency at 3/4 load:</td> <td>84.6-84.0 %</td> </tr> <tr> <td>Motor efficiency at 1/2 load:</td> <td>85.4-82.8 %</td> </tr> <tr> <td>Number of poles:</td> <td>2</td> </tr> <tr> <td>Enclosure class (IEC 34-5):</td> <td>55 Dust/Jetting</td> </tr> <tr> <td>Insulation class (IEC 85):</td> <td>F</td> </tr> <tr> <td>Motor No:</td> <td>85U05105</td> </tr> <tr> <td colspan="2">Others:</td> </tr> <tr> <td>Minimum efficiency index, MEI ≥:</td> <td>0.70</td> </tr> <tr> <td>Net weight:</td> <td>32.6 kg</td> </tr> <tr> <td>Gross weight:</td> <td>36.1 kg</td> </tr> <tr> <td>Shipping volume:</td> <td>0.08 m<sup>3</sup></td> </tr> <tr> <td>Danish VVS No.:</td> <td>381814120</td> </tr> <tr> <td>Finnish LVI No.:</td> <td>4616072</td> </tr> <tr> <td>Norwegian NRF no.:</td> <td>9043574</td> </tr> <tr> <td>Country of origin:</td> <td>HU</td> </tr> <tr> <td>Custom tariff no.:</td> <td>84137051</td> </tr> </table>	Rated power - P2:	1.1 kW	Mains frequency:	50 Hz	Rated voltage:	3 x 220-240D/380-415Y V	Rated current:	4.35/2.50 A	Starting current:	450-500 %	Cos phi - power factor:	0.83-0.76	Rated speed:	2840-2870 rpm	IE Efficiency class:	IE3	Motor efficiency at full load:	82.7-82.7 %	Motor efficiency at 3/4 load:	84.6-84.0 %	Motor efficiency at 1/2 load:	85.4-82.8 %	Number of poles:	2	Enclosure class (IEC 34-5):	55 Dust/Jetting	Insulation class (IEC 85):	F	Motor No:	85U05105	Others:		Minimum efficiency index, MEI ≥:	0.70	Net weight:	32.6 kg	Gross weight:	36.1 kg	Shipping volume:	0.08 m <sup>3</sup>	Danish VVS No.:	381814120	Finnish LVI No.:	4616072	Norwegian NRF no.:	9043574	Country of origin:	HU	Custom tariff no.:	84137051
Rated power - P2:	1.1 kW																																																		
Mains frequency:	50 Hz																																																		
Rated voltage:	3 x 220-240D/380-415Y V																																																		
Rated current:	4.35/2.50 A																																																		
Starting current:	450-500 %																																																		
Cos phi - power factor:	0.83-0.76																																																		
Rated speed:	2840-2870 rpm																																																		
IE Efficiency class:	IE3																																																		
Motor efficiency at full load:	82.7-82.7 %																																																		
Motor efficiency at 3/4 load:	84.6-84.0 %																																																		
Motor efficiency at 1/2 load:	85.4-82.8 %																																																		
Number of poles:	2																																																		
Enclosure class (IEC 34-5):	55 Dust/Jetting																																																		
Insulation class (IEC 85):	F																																																		
Motor No:	85U05105																																																		
Others:																																																			
Minimum efficiency index, MEI ≥:	0.70																																																		
Net weight:	32.6 kg																																																		
Gross weight:	36.1 kg																																																		
Shipping volume:	0.08 m <sup>3</sup>																																																		
Danish VVS No.:	381814120																																																		
Finnish LVI No.:	4616072																																																		
Norwegian NRF no.:	9043574																																																		
Country of origin:	HU																																																		
Custom tariff no.:	84137051																																																		

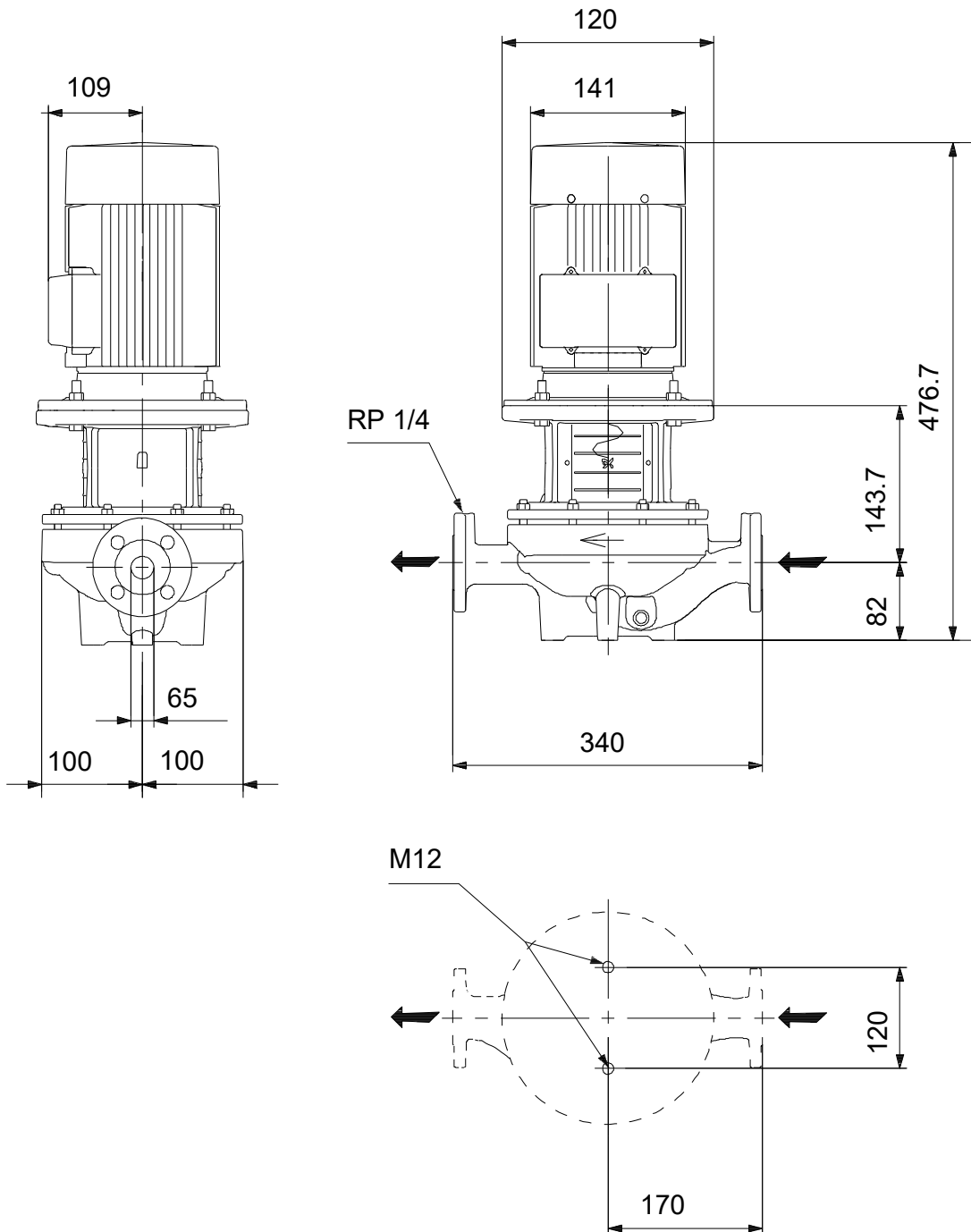
## 98585759 TP 65-120/2 A-F-A-BQQE-GW1 50 Hz



Pumped liquid = Water  
 Liquid temperature during operation = 20 °C  
 Density = 998.2 kg/m³



**98585759 TP 65-120/2 A-F-A-BQQE-GW1 50 Hz**



Note! All units are in [mm] unless others are stated.  
Disclaimer: This simplified dimensional drawing does not show all details.