

Qty. Description

1 TP 65-30/4 A-F-Z-BQQE-CW3



Note! Product picture may differ from actual product

Product No.: [98957993](#)

Single-stage, close-coupled, volute pump with in-line suction and discharge ports of identical diameter. The pump is of the top-pull-out design, i.e. the power head (motor, pump head and impeller) can be removed for maintenance or service while the pump housing remains in the pipework.

The pump is fitted with an unbalanced rubber bellows seal. The shaft seal is according to EN 12756. Pipework connection is via PN 6/10 DIN flanges (EN 1092-2 and ISO 7005-2).

The pump is fitted with a fan-cooled asynchronous motor.

Controls:

Frequency converter: None

Liquid:

Pumped liquid: Water
 Liquid temperature range: -25 .. 120 °C
 Selected liquid temperature: 20 °C
 Density: 998.2 kg/m³

Technical:

Pump speed on which pump data are based: 1450 rpm
 Rated flow: 21.4 m³/h
 Rated head: 2.01 m
 Actual impeller diameter: 95 mm
 Code for shaft seal: BQQE
 Curve tolerance: ISO9906:2012 3B2

Materials:

Pump housing: Bronze
 CuSn10
 ASTM B505
 Impeller: Stainless steel
 EN 1.4301
 AISI 304

Installation:

Range of ambient temperature: -30 .. 40 °C
 Maximum operating pressure: 10 bar
 Max pressure at stated temp: 10 bar / 120 °C
 Type of connection: DIN
 Size of connection: DN 65
 Pressure rating for connection: PN 6/10
 Port-to-port length: 340 mm
 Flange size for motor: FT85

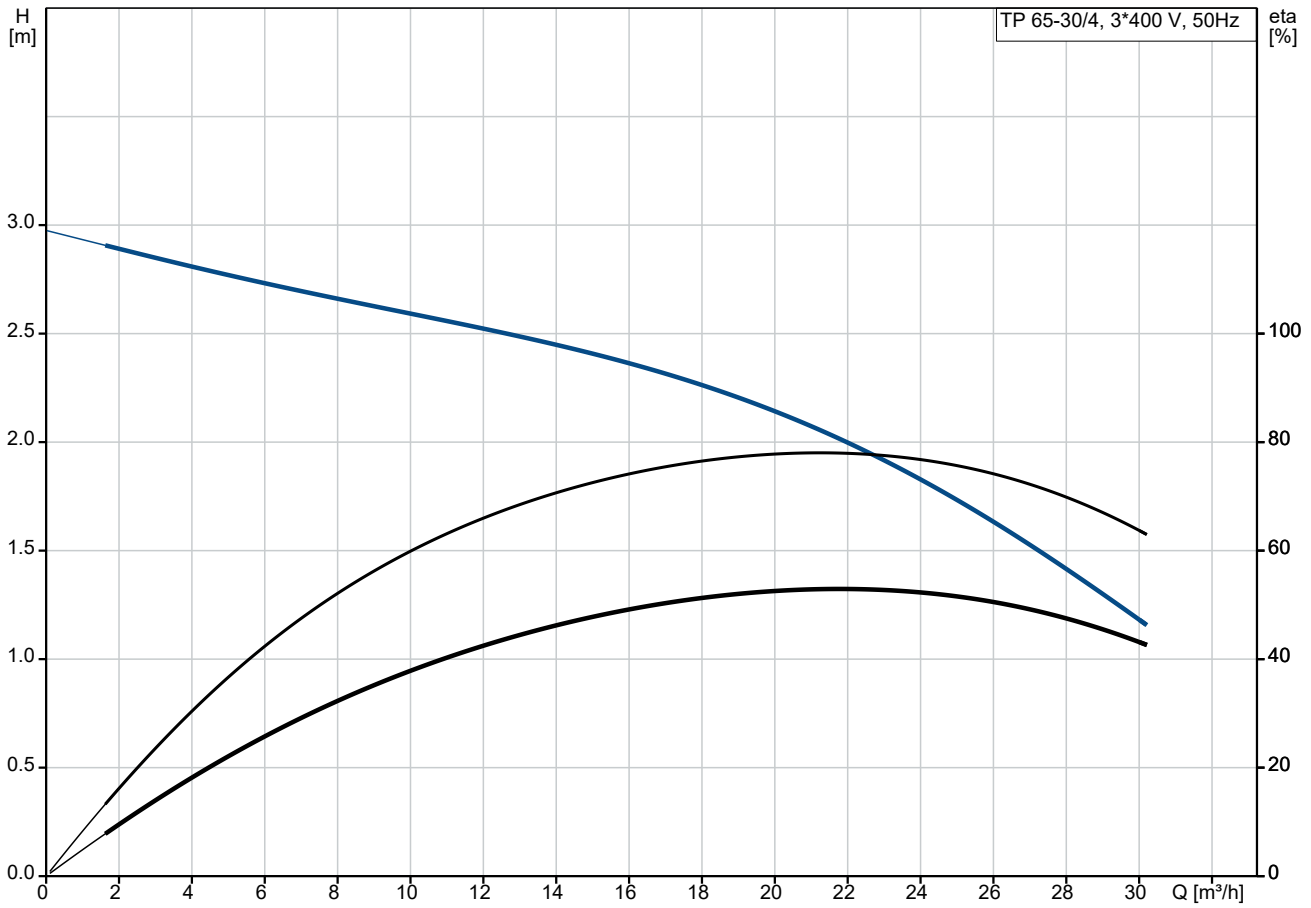
Electrical data:

Motor type: 71A

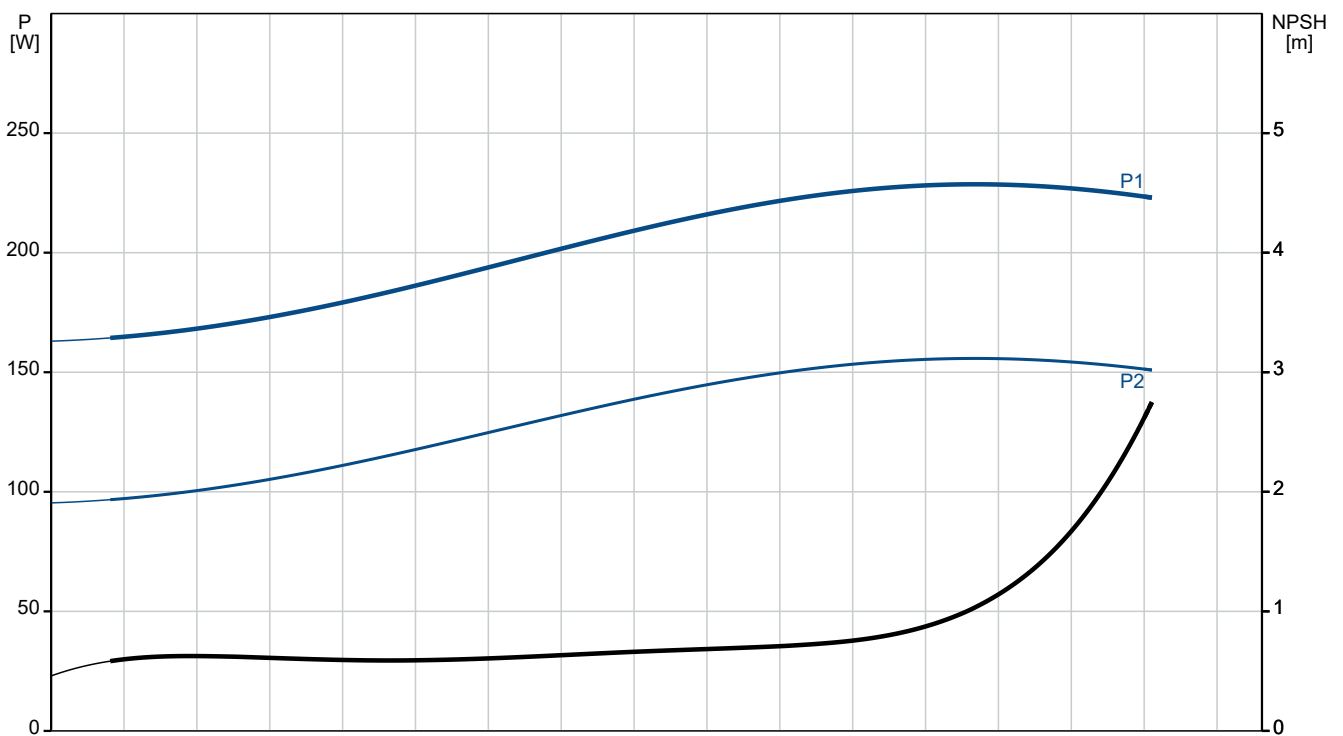
Qty. Description

1	<p>Rated power - P2: 0.25 kW</p> <p>Mains frequency: 50 Hz</p> <p>Rated voltage: 3 x 220-240D/380-415Y V</p> <p>Rated current: 1,30-1,42/0,75-0,82 A</p> <p>Starting current: 410 %</p> <p>Cos phi - power factor: 0.73-0.64</p> <p>Rated speed: 1410-1430 rpm</p> <p>IE Efficiency class: IE2</p> <p>Motor efficiency at full load: 72.4-70.0 %</p> <p>Motor efficiency at 3/4 load: 72.6-67.3 %</p> <p>Motor efficiency at 1/2 load: 68.3-60.0 %</p> <p>Number of poles: 4</p> <p>Enclosure class (IEC 34-5): 55 Dust/Jetting</p> <p>Insulation class (IEC 85): F</p> <p>Motor No: 99928151</p> <p>Others:</p> <p>Minimum efficiency index, MEI \geq: 0.70</p> <p>Net weight: 50.7 kg</p> <p>Gross weight: 55.4 kg</p> <p>Shipping volume: 0.091 m³</p> <p>Danish VVS No.: 381894030</p> <p>Country of origin: HU</p> <p>Custom tariff no.: 84137051</p>
---	--

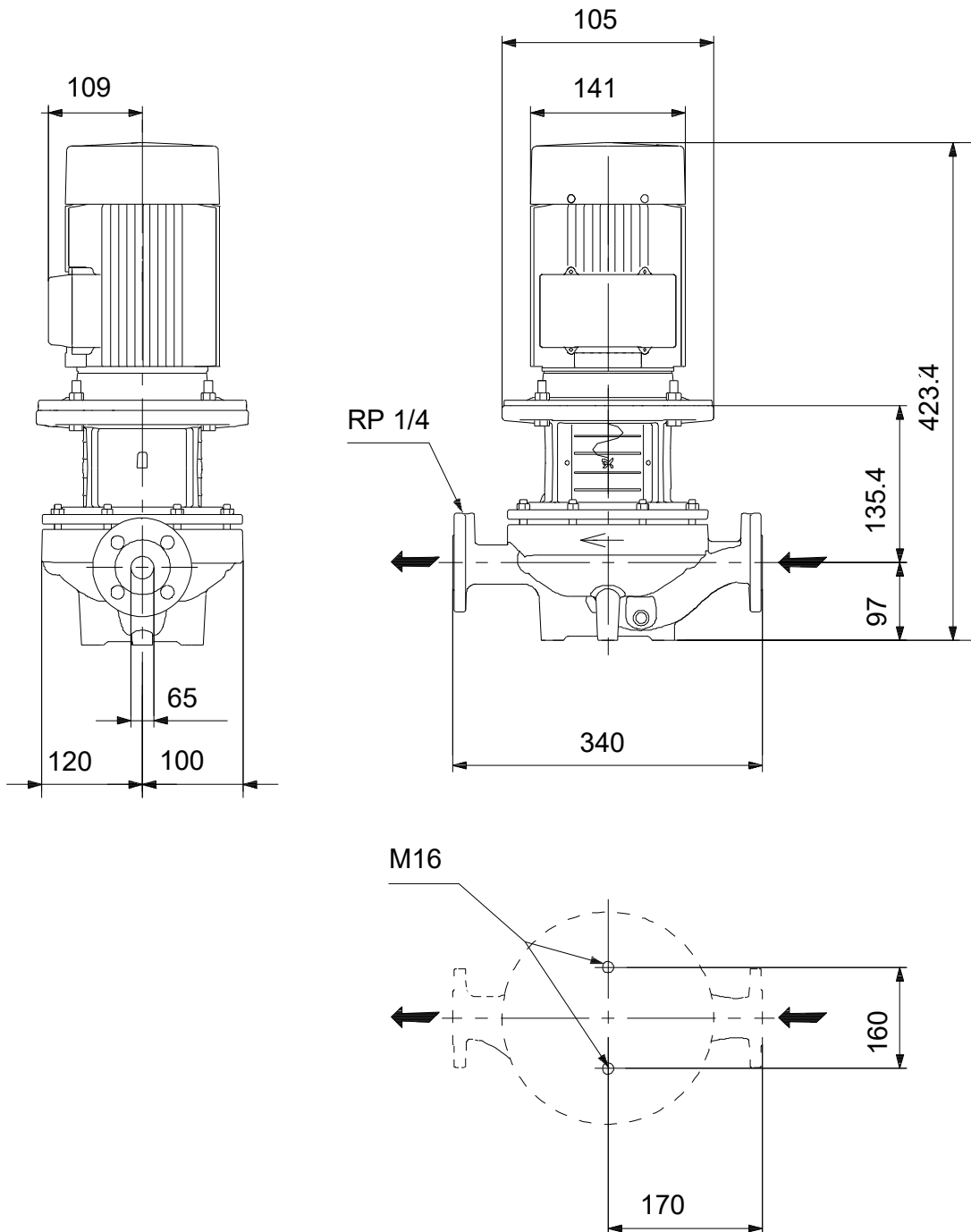
98957993 TP 65-30/4 A-F-Z-BQQE-CW3 50 Hz



Pumped liquid = Water
 Liquid temperature during operation = 20 °C
 Density = 998.2 kg/m³



98957993 TP 65-30/4 A-F-Z-BQQE-CW3 50 Hz



Note! All units are in [mm] unless others are stated.
Disclaimer: This simplified dimensional drawing does not show all details.