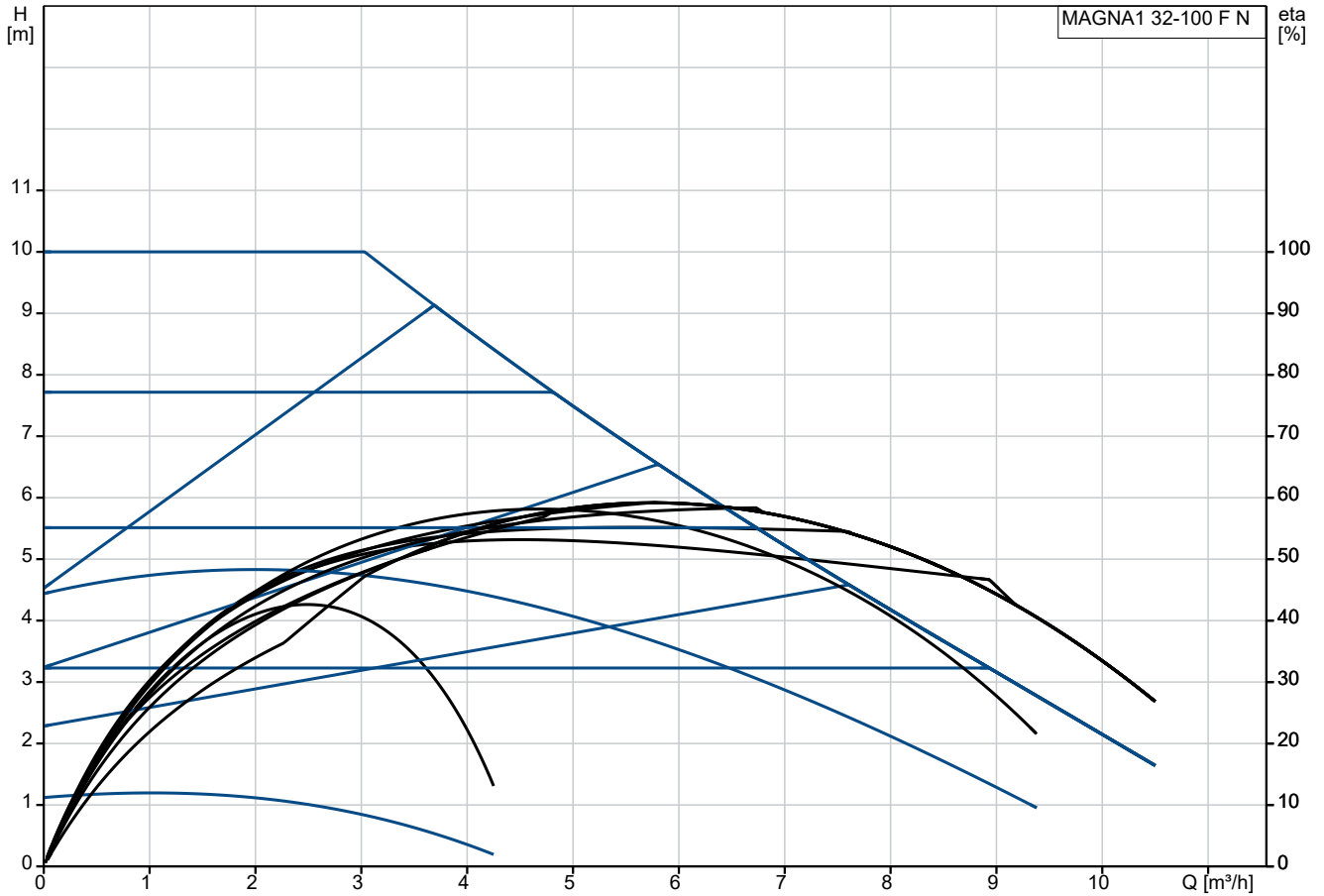
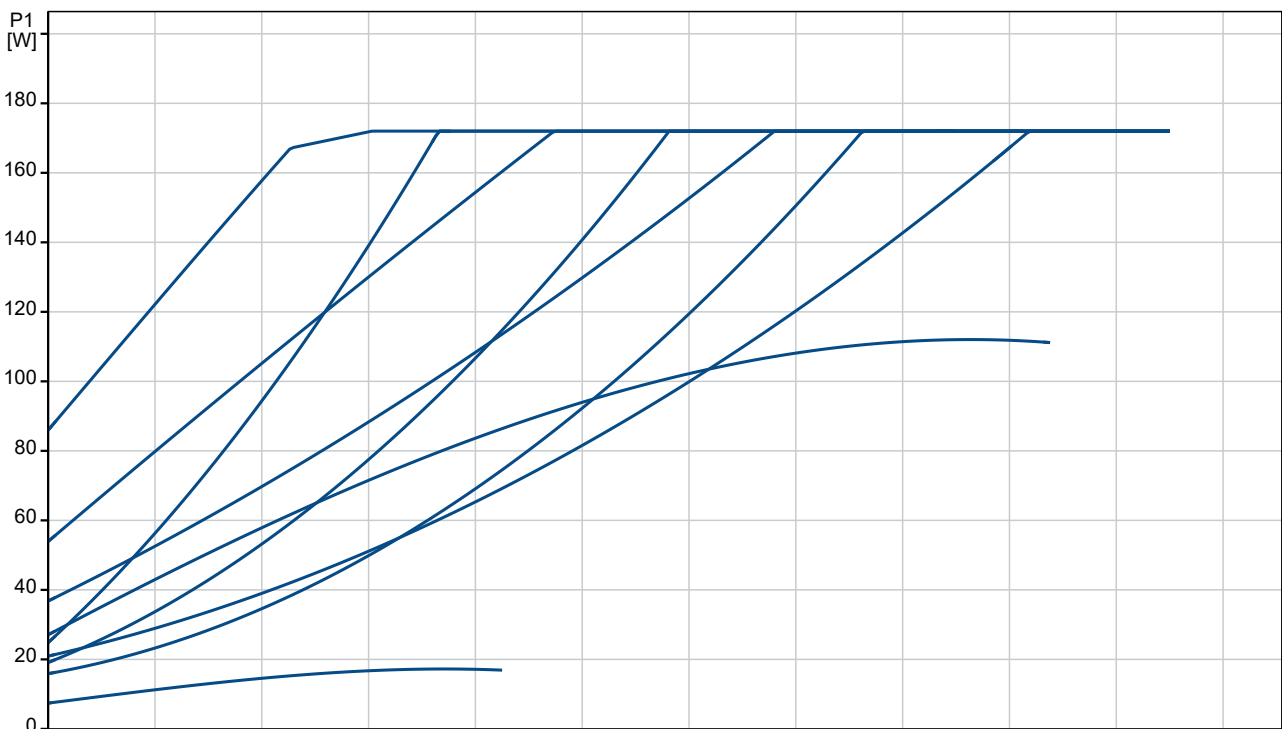


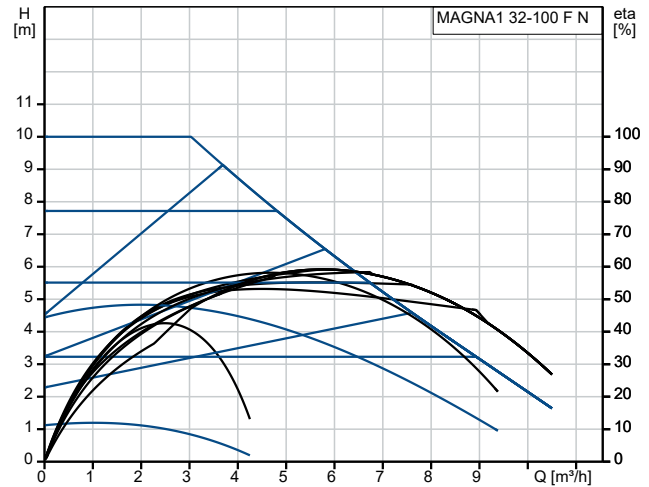
On request MAGNA1 32-100 F N



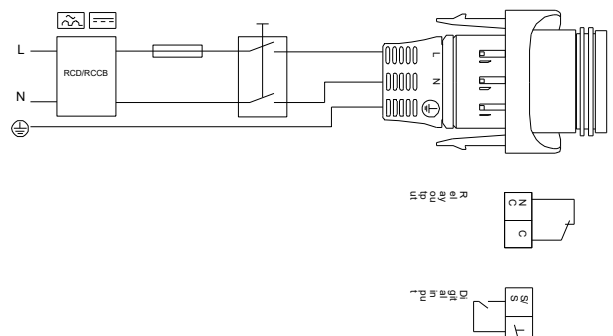
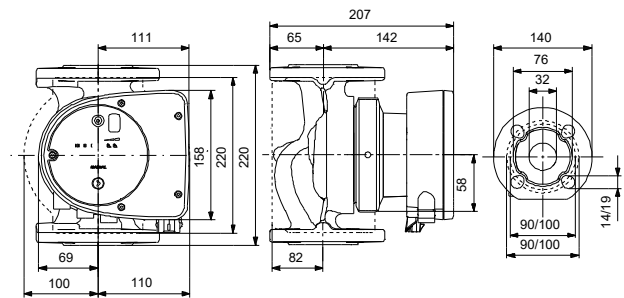
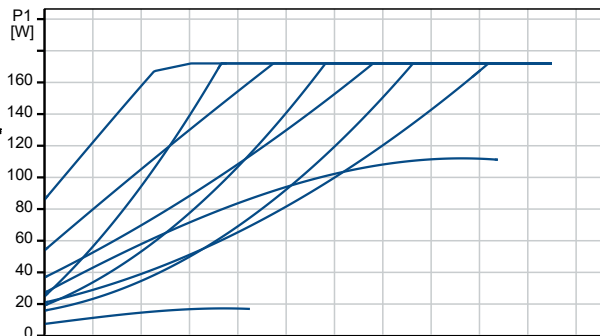
Pumped liquid = Water
 Liquid temperature during operation = 60 °C
 Density = 983.2 kg/m³



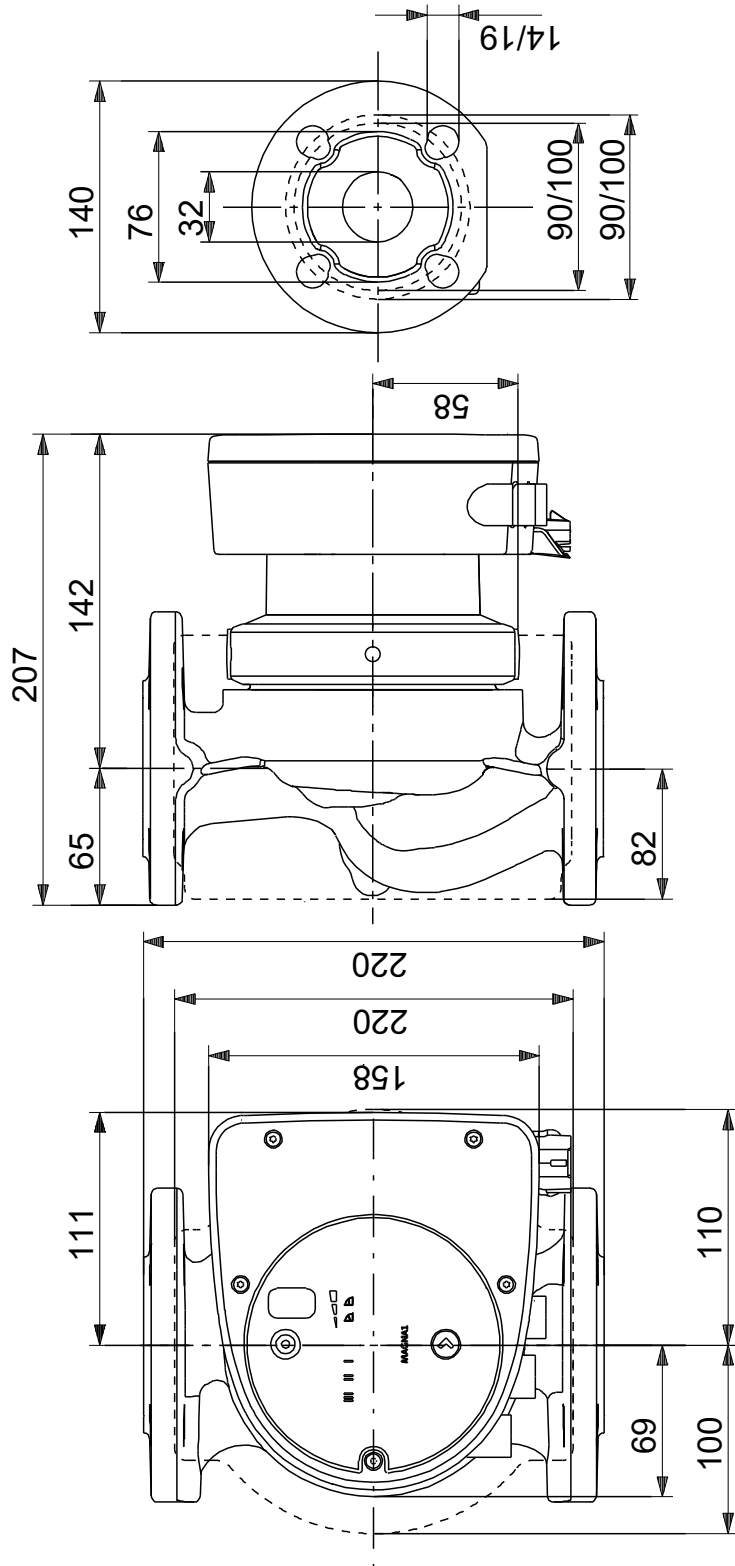
| Description | Value |
|-------------------------------|---|
| General information: | |
| Product name: | MAGNA1 32-100 F N |
| Product No: | On request |
| EAN number: | On request |
| Technical: | |
| Head max: | 100 dm |
| TF class: | 110 |
| Approvals: | CE, VDE, EAC, MOROCCO, UKCA, TSERCM, UkrSEPRO |
| Approvals for drinking water: | WRAS, ACS, UBA |
| Model: | C |
| Materials: | |
| Pump housing: | Stainless steel |
| Pump housing: | EN 1.4308 |
| Pump housing: | ASTM 351 CF8 |
| Impeller: | PES 30%GF |
| Installation: | |
| Range of ambient temperature: | 0 .. 40 °C |
| Maximum operating pressure: | 10 bar |
| Flange standard: | DIN |
| Pipe connection: | DN 32 |
| Pressure rating: | PN 6/10 |
| Port-to-port length: | 220 mm |
| Liquid: | |
| Pumped liquid: | Water |
| Liquid temperature range: | -10 .. 110 °C |
| Selected liquid temperature: | 60 °C |
| Density: | 983.2 kg/m ³ |
| Electrical data: | |
| Power input - P1: | 8 .. 175 W |
| Mains frequency: | 50 / 60 Hz |
| Rated voltage: | 1 x 230 V |
| Maximum current consumption: | 0.08 .. 1.41 A |
| Enclosure class (IEC 34-5): | X4D |
| Insulation class (IEC 85): | F |
| Others: | |
| Energy (EEI): | 0.20 |
| Net weight: | 7.84 kg |
| Gross weight: | 8.46 kg |
| Shipping volume: | 0.016 m ³ |
| Country of origin: | DE |
| Custom tariff no.: | 84137030 |
| Environmental approvals: | CN ROHS, WEEE |



Pumped liquid = Water
Liquid temperature during operation = 60 °C
Density = 983.2 kg/m³

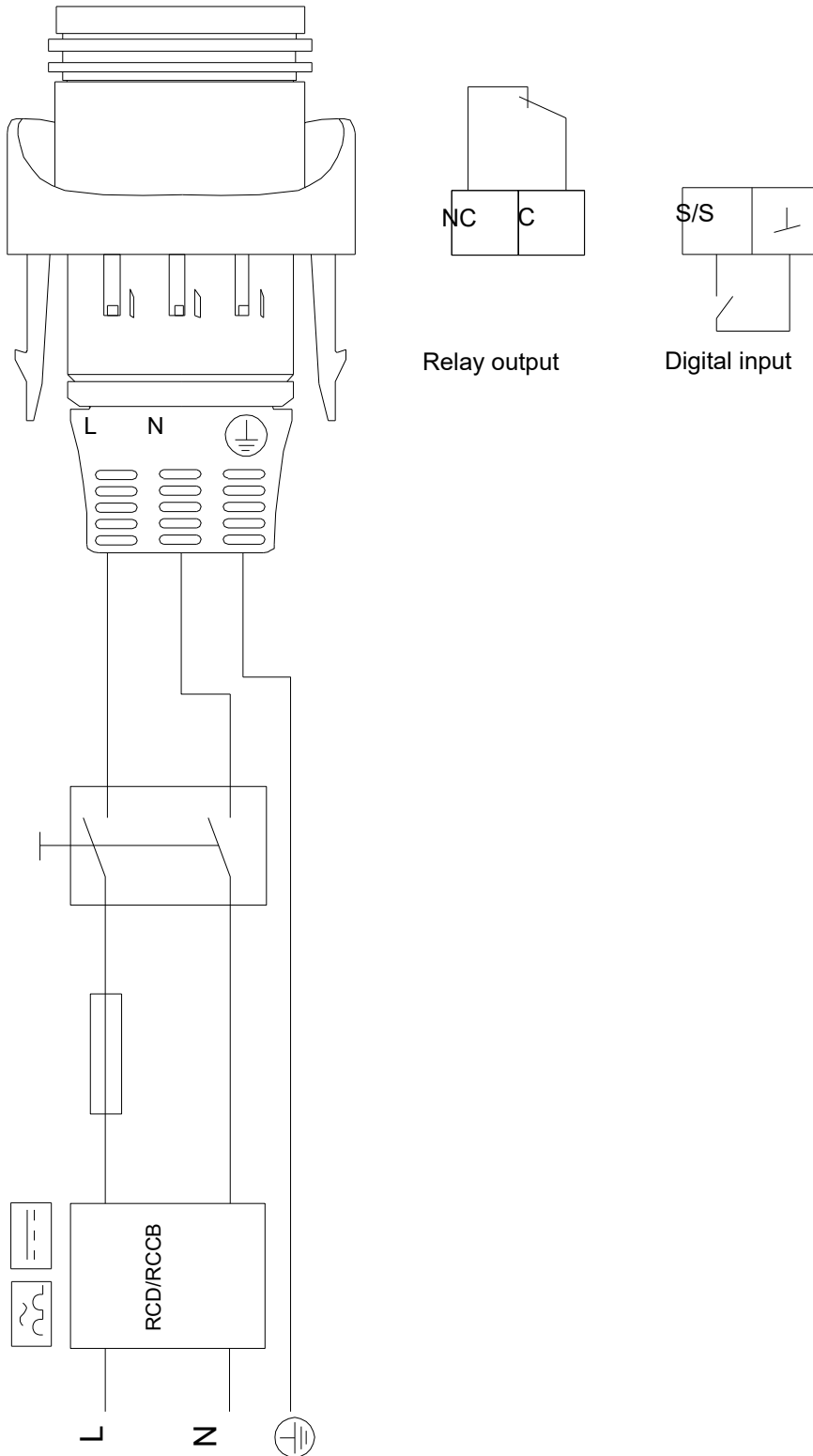


On request MAGNA1 32-100 F N



Note! All units are in [mm] unless others are stated.
 Disclaimer: This simplified dimensional drawing does not show all details.

On request MAGNA1 32-100 F N



Note! All units are in [mm] unless others are stated.

