

**Qty. Description**

1 TP 40-50/2 A-F-A-BQQE-AW1


**Note! Product picture may differ from actual product**

 Product No.: [98346593](#)

Single-stage, close-coupled, volute pump with in-line suction and discharge ports of identical diameter. The pump is of the top-pull-out design, i.e. the power head (motor, pump head and impeller) can be removed for maintenance or service while the pump housing remains in the pipework.

The pump is fitted with an unbalanced rubber bellows seal. The shaft seal is according to EN 12756. Pipework connection is via PN 6/10 DIN flanges (EN 1092-2 and ISO 7005-2).

The pump is fitted with a fan-cooled asynchronous motor.

**Controls:**

Frequency converter: None

**Liquid:**

Pumped liquid: Water

Liquid temperature range: -25 .. 120 °C

Selected liquid temperature: 20 °C

 Density: 998.2 kg/m<sup>3</sup>
**Technical:**

Pump speed on which pump data are based: 2800 rpm

 Rated flow: 5.61 m<sup>3</sup>/h

Rated head: 2.95 m

Actual impeller diameter: 68 mm

Code for shaft seal: BQQE

Curve tolerance: ISO9906:2012 3B2

**Materials:**

 Pump housing: Cast iron  
 EN-GJL-200  
 ASTM class 30

 Impeller: Composite  
 PES+30% GF

**Installation:**

Range of ambient temperature: -30 .. 40 °C

Maximum operating pressure: 10 bar

Max pressure at stated temp: 10 bar / 120 °C

Type of connection: DIN

Size of connection: DN 40

Pressure rating for connection: PN 6/10

Port-to-port length: 250 mm

Flange size for motor: FT75

**Electrical data:**

Motor type: 71A

Rated power - P2: 0.12 kW



Company name:

Created by:

Phone:

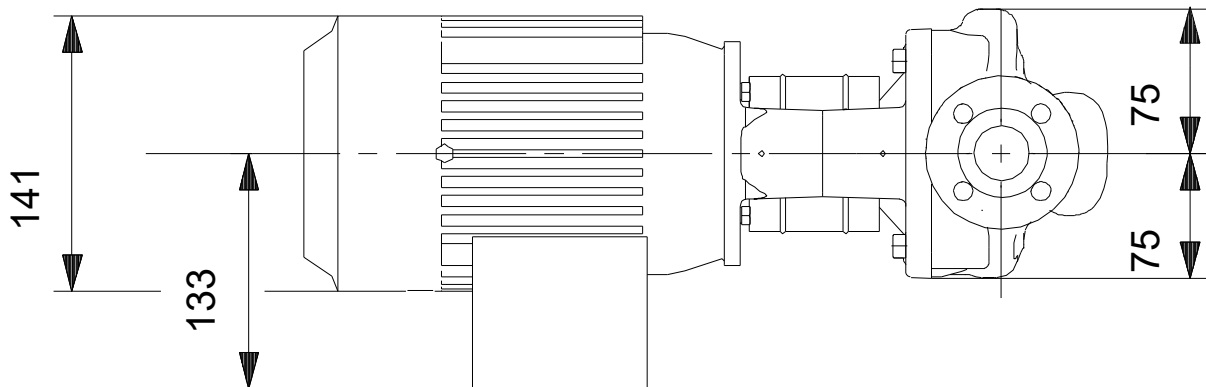
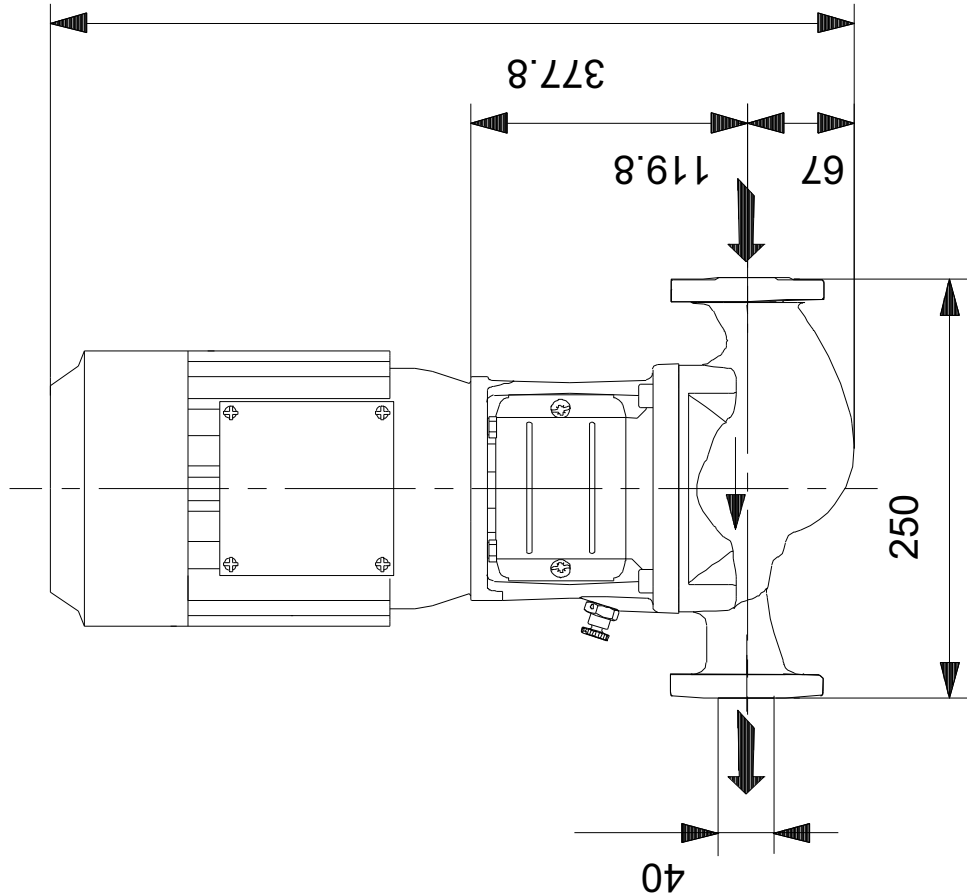
Date:

29/12/2023

**Qty. Description**

1	Mains frequency:	50 Hz
	Rated voltage:	1 x 220-230 V
	Rated current:	0.93-0.93 A
	Starting current:	690-720 %
	Cos phi - power factor:	0.95-0.92
	Rated speed:	2910-2920 rpm
	IE Efficiency class:	IE2
	Motor efficiency at full load:	60.0-60.0 %
	Motor efficiency at 3/4 load:	61.0-58.8 %
	Motor efficiency at 1/2 load:	49.9-48.2 %
	Number of poles:	2
	Enclosure class (IEC 34-5):	55 Dust/Jetting
	Insulation class (IEC 85):	F
	Motor No:	92613975
	Others:	
	Net weight:	12.2 kg
	Gross weight:	14.2 kg
	Shipping volume:	0.041 m <sup>3</sup>
	Danish VVS No.:	381802050
	Country of origin:	HU
	Custom tariff no.:	84137051

**98346593 TP 40-50/2 A-F-A-BQQE-AW1 50 Hz**



Note! All units are in [mm] unless others are stated.  
Disclaimer: This simplified dimensional drawing does not show all details.