

Flamco XStream air and dirt separators ensure lower energy consumption, less wear and tear, fewer breakdowns, a longer lifespan and thus a higher efficiency of heating and cooling installations.

**An effective combination.**

From an installation perspective, it is always preferable to install a separate air and dirt separator. In installations where it is difficult to install both a Flamco XStream Vent and a Clean, the Flamco XStream Vent-Clean is the ideal solution.

**Advantages**

- With an unique ECO/ MAX mode.  
In the ECO mode a part of the system water (partial flow) is led through the Flamco XStream.  
In the MAX mode all the system water is led through the Flamco XStream.
- Up to 15% less energy consumption of the heating system.\*
- Up to 6% more efficiency of the heating system.\*
- The unit is 360 degree rotatable for ease of installation.
- No account needs to be taken of the flow direction of the installation. This prevents installation errors.
- Thanks to the powerful internal magnet, the Flamco XStream Clean and the Vent-Clean have a great attraction to magnetite.
- Insulation is an integral part of the design of the Flamco XStream. This reduces heat losses to a minimum.
- The intergrated service indicator indicates when the system was last flushed/vented in the MAX mode.

\* Calculated according to the Hysopt method in a system with a gas boiler and manually operated radiator valves.

**Technical Specifications**

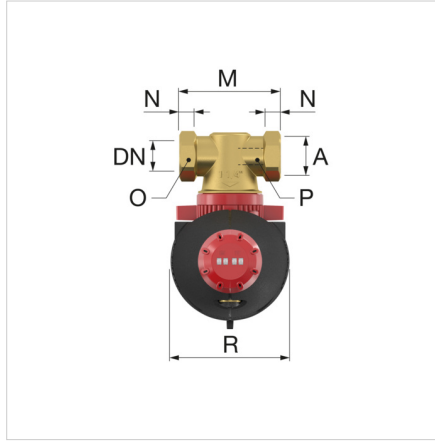
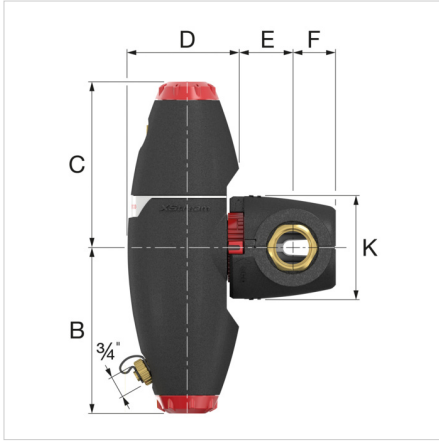
- Materials: brass and high-quality plastic.
- Minimum/Maximum operating temperature: -10 °C / 120 °C.
- Minimum/Maximum system pressure: 0,2 / 10 bar.
- Minimum/Maximum operating pressure: 0,2 / 6 bar.
- Suitable for addition of glycol-based anti-freeze up to 50%.
- Suitable for addition of ethanol-based anti-freeze up to 30%.
- Minimum/Maximum flow velocity: 0.2 / 3 m/s.
- Medium pH: 5 / 10.
- Material: EPP insulation.  $\lambda$  : 0.036 W/m.
- Average thickness insulation: 20 mm.



Description	XStream Vent-Clean 1 1/2"	
Order Code	11064	
GTIN	08712874110649	
Model	<u>Flamco XStream Vent-Clean</u>	
Connection	[DN]	40
	(A)	G 1 1/2" F
K <sub>v</sub> * [m <sup>3</sup> /h] (ECO)	63.0	
K <sub>v</sub> * [m <sup>3</sup> /h] (MAX)	14.8	
Flow rate [l/h]	Min. 0,2 [m/s]	904
	Max. 3 [m/s]	13571
Weight [kg]	3.3	

\*  $K_v = Q / \sqrt{\Delta P}$  Q: Flow [m<sup>3</sup>/h] ΔP: Pressure loss over the product (1 bar)

Flow factor  $K_v$ : Rate of flow [m<sup>3</sup>/h] which results in a 1 bar pressure drop across the product. This is different then the maximum allowed flow rate of the product.



**Flamco XStream Vent-Clean - Dimensions**

Type	Dimensions										
	B [mm]	C [mm]	D [mm]	E [mm]	F [mm]	K [mm]	M [mm]	N [mm]	O [mm]	P [mm]	R [mm]
XStream Vent-Clean 22	149	149	106	44	41	102	119	24	32	24	114
XStream Vent-Clean 3/4 F	149	149	106	44	41	102	100	14	32	-	114
XStream Vent-Clean 1 M	149	149	106	44	41	102	100	13	-	27	114
XStream Vent-Clean 1 F	181	181	121	53	45	114	110	16	41	-	130
XStream Vent-Clean 1 1/4 M	181	181	121	53	45	114	110	14	-	34	130
XStream Vent-Clean 1 1/4 F	181	181	125	57	48	114	110	18	50	-	130
XStream Vent-Clean 1 1/2 F	208	208	139	62	51	132	129	18	55	-	145
XStream Vent-Clean 2 F	208	208	139	65	58	132	140	23	70	-	145



**Classification General Data**

<b>Etim Group</b>	Filters/separators
<b>Etim Class</b>	Air-/dirt separator
<b>Product Name</b>	XStream Vent-Clean air and dirt separator with full and partial flow function and integrated magnet (DN40) G1½"F
<b>Brand</b>	FLAMCO
<b>Product Type</b>	XStream (= < 2")
<b>Order Code</b>	11064
<b>GTIN</b>	08712874110649

**Attributes**

<b>Material</b>	Plastic
<b>Separator type</b>	Air/dirt
<b>Model</b>	Horizontal/vertical
<b>Material of connection</b>	Brass
<b>Material quality connection</b>	Other
<b>Housing material</b>	Brass
<b>Housing material quality</b>	Other
<b>Variable flow direction</b>	Yes
<b>Suitable for heating</b>	Yes
<b>Suitable for cooling</b>	Yes
<b>Suitable for solar</b>	No
<b>Nominal diameter</b>	1 1/2 inch (40)
<b>Outer pipe diameter</b>	48.3 Millimetre
<b>Connection</b>	Internal thread cylindrical BSPP-G (ISO 228-1)
<b>Construction length</b>	129 Millimetre
<b>Article compression class</b>	PN 10
<b>With blow-off valve</b>	Yes
<b>Surface protection</b>	Untreated
<b>Whirl operating principle</b>	No
<b>Negative pressure operating principle</b>	No
<b>Magnet operating principle</b>	Yes
<b>Thrust operating principle</b>	No
<b>Partial flow principle</b>	Yes
<b>Principle full flow with settling</b>	Yes
<b>Cleaning possible during operation</b>	No
<b>Magnet location</b>	Internal
<b>Suitable for open system</b>	No
<b>Suitable for closed system</b>	Yes
<b>With drain valve</b>	Yes
<b>With dismountable filter</b>	No
<b>Filter volume</b>	0 Litre
<b>Filter mesh density</b>	0 Millimetre
<b>Backwash filter</b>	No
<b>Min. pressure for back flush</b>	0 Bar
<b>With automatic de-aerator</b>	Yes
<b>With couplers</b>	No
<b>Inlet/outlet offset distance</b>	0 Millimetre
<b>Medium temperature (continuous)</b>	-10 - 120 °C
<b>Max. operating pressure</b>	10 Bar
<b>Kvs value</b>	0
<b>With insulation</b>	Yes
<b>Heat conduction coefficient insulation material (λ)</b>	0.04 Watt per metre Kelvin
<b>Max. glycol mixture</b>	50 Percentage
<b>With integrated replenishment automat</b>	No

**Find more information online:**[Installations and operating instructions](#)[Statement of Conformity](#)[XStream Vent-Clean DWG](#)[XStream Vent-Clean STEP](#)[XStream Vent-Clean RFA](#)[Brochure](#)[Brochure \(Romanian\)](#)[Technical Handbook](#)[Report Hysopt](#)[EPBD Energy saving solutions](#)[EPBD Energy saving solutions UK](#)[Packaging data](#)[Xstream](#)[XStream \(Romanian\)](#)[Explainer video XStream](#)[Explainer video XStream \(Romanian\)](#)

Fort Blauwkapel 1  
1358 DB, Almere - nl

T +31 (0)36 52 62 300  
E [info@aalberts-hfc.com](mailto:info@aalberts-hfc.com)  
I [flamcogroup.com](http://flamcogroup.com)