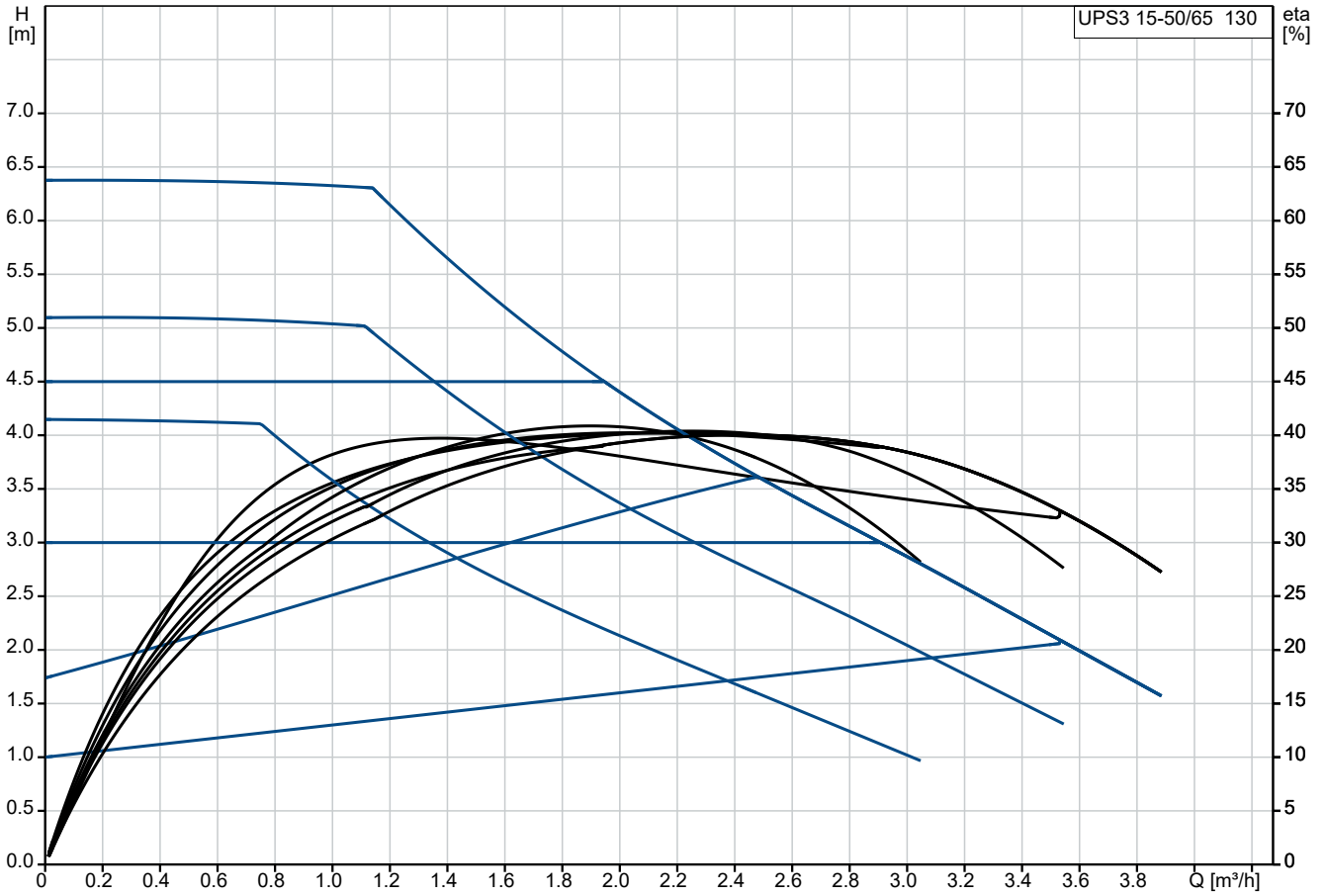
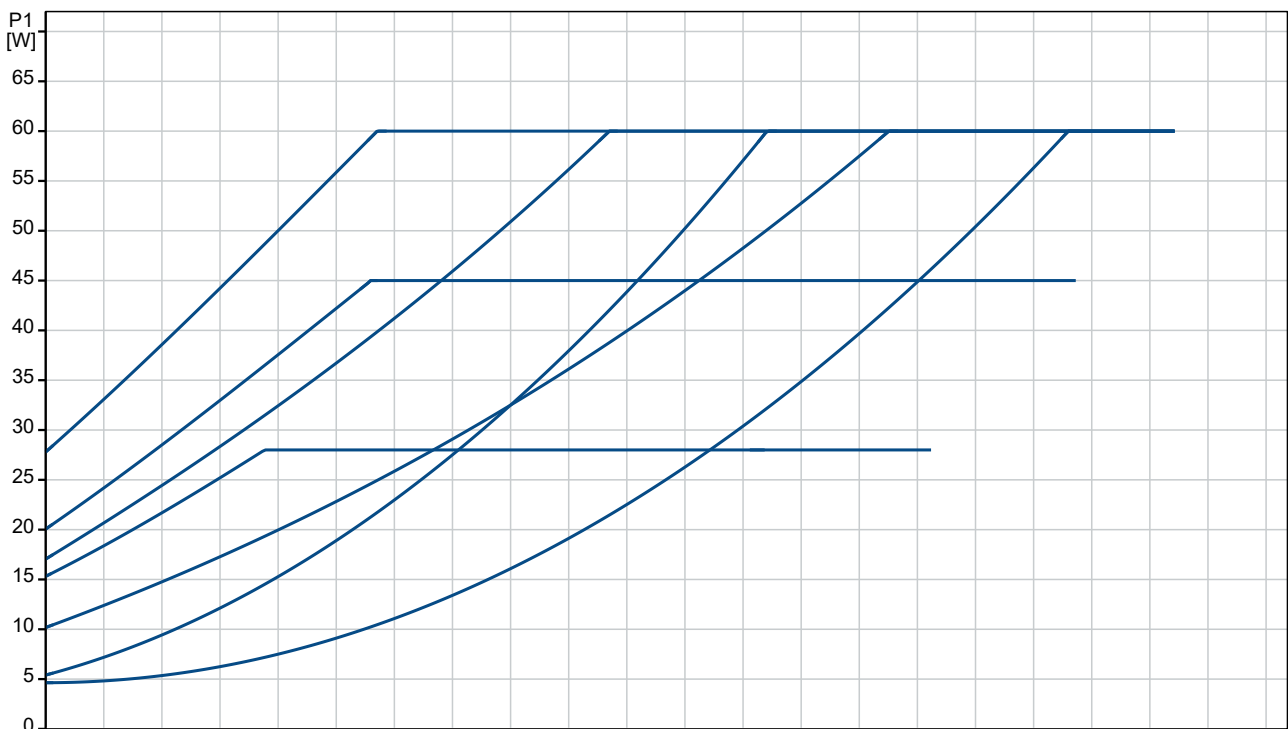


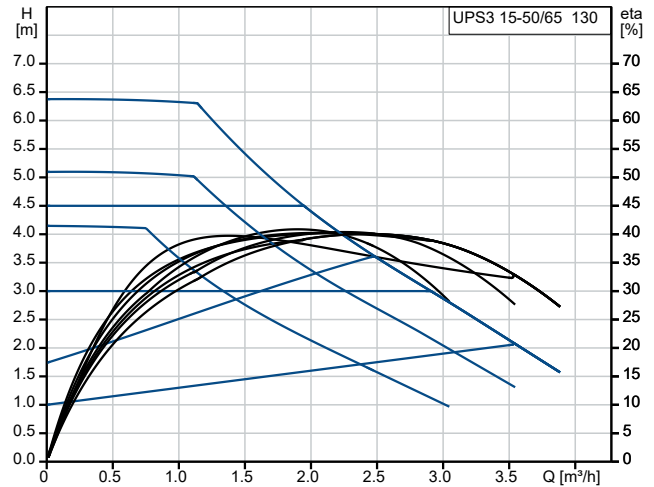
## On request UPS3 15-50/65 130 50 Hz



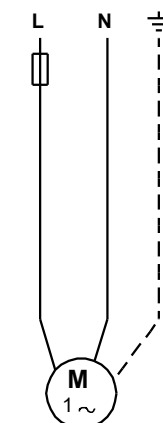
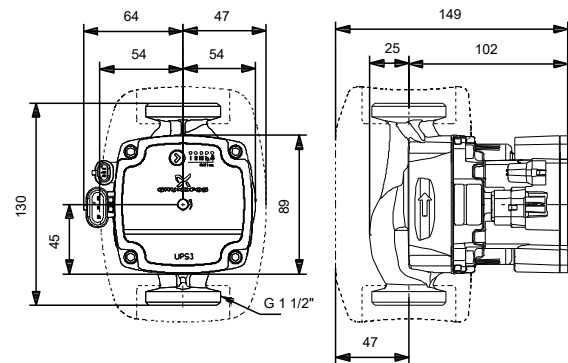
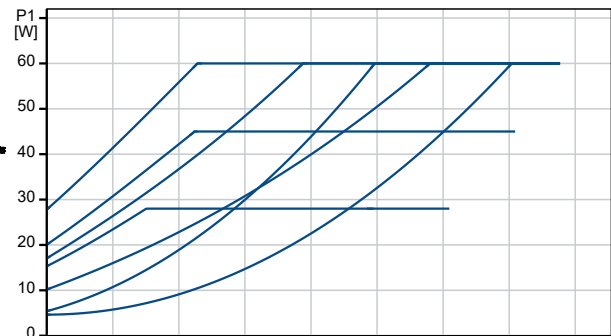
Pumped liquid = Water  
 Liquid temperature during operation = 60 °C  
 Density = 983.2 kg/m³



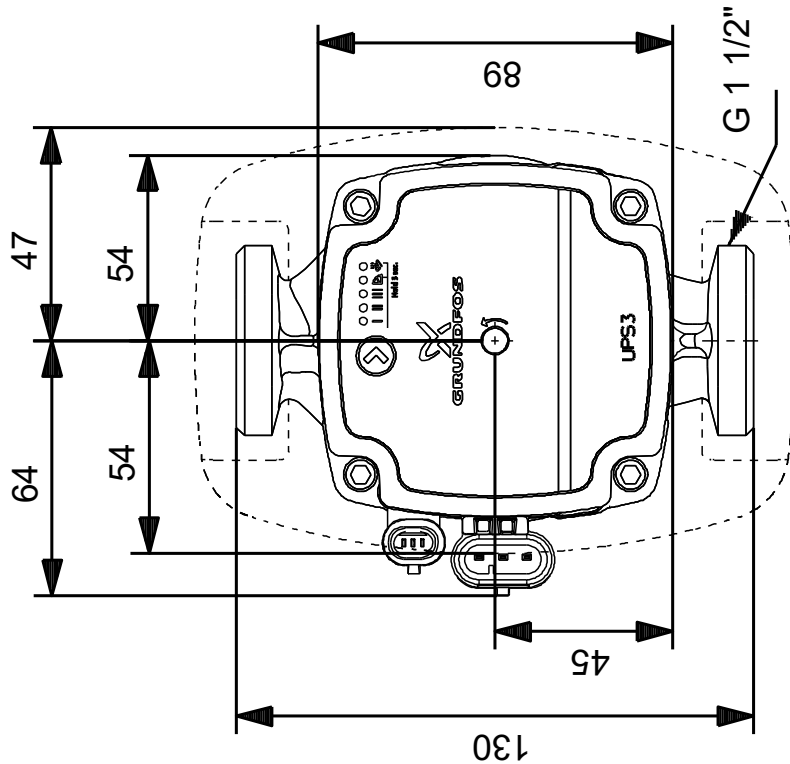
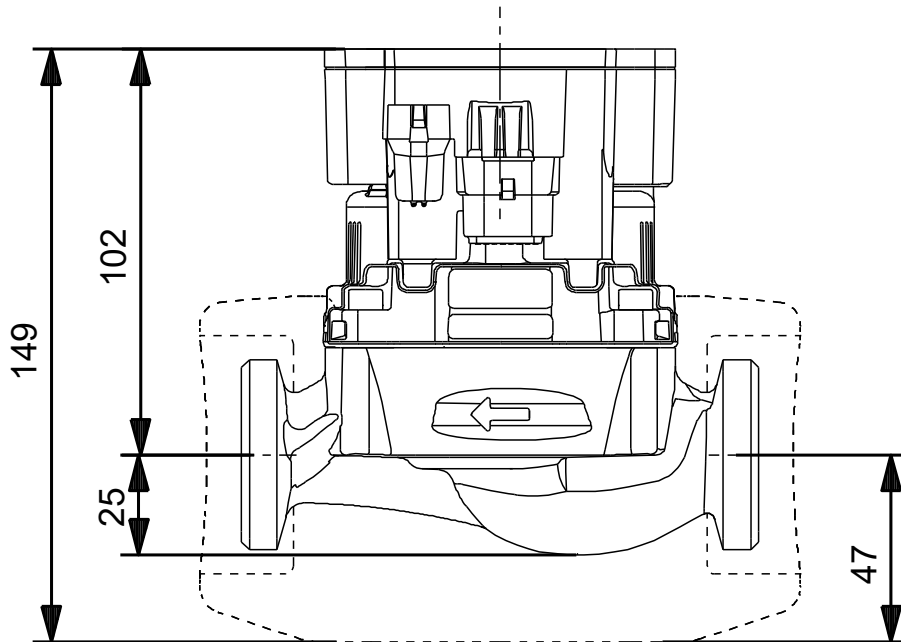
Description	Value
<b>General information:</b>	
Product name:	UPS3 15-50/65 130
Product No:	On request
EAN number:	On request
<b>Technical:</b>	
Head max:	50/65 dm
TF class:	95
Approvals:	CE,VDE,UKCA
Model:	A
<b>Materials:</b>	
Pump housing:	Cast iron
Pump housing:	EN 1561 EN-GJL-150
Pump housing:	ASTM ASTM A48-150B
Impeller:	Composite
<b>Installation:</b>	
Range of ambient temperature:	0 .. 55 °C
Maximum operating pressure:	10 bar
Pipe connection:	G 1 1/2
Pressure rating:	PN 10
Port-to-port length:	130 mm
<b>Liquid:</b>	
Pumped liquid:	Water
Liquid temperature range:	2 .. 95 °C
Selected liquid temperature:	60 °C
Density:	983.2 kg/m <sup>3</sup>
<b>Electrical data:</b>	
Power input - P1:	4 .. 60 W
Mains frequency:	50 Hz
Rated voltage:	1 x 230 V
Maximum current consumption:	0.05 .. 0.52 A
Enclosure class (IEC 34-5):	X4D
Insulation class (IEC 85):	F
Built-in motor protection:	NONE
Thermal protec:	ELEC
<b>Controls:</b>	
Pos term box:	9H
<b>Others:</b>	
Energy (EEL):	0.20
Net weight:	1.99 kg
Gross weight:	2.09 kg
Shipping volume:	0.004 m <sup>3</sup>
Sales region:	GB
Country of origin:	DK
Custom tariff no.:	84139100



Pumped liquid = Water  
 Liquid temperature during operation = 60 °C  
 Density = 983.2 kg/m<sup>3</sup>

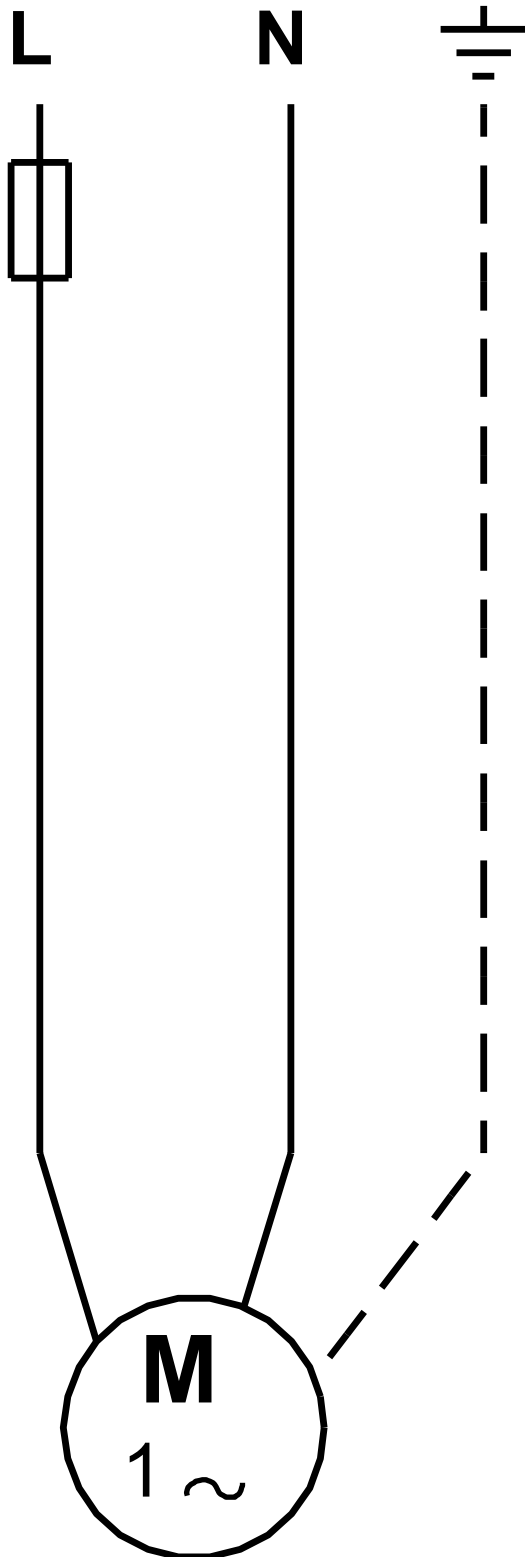


## On request UPS3 15-50/65 130 50 Hz



Note! All units are in [mm] unless others are stated.  
Disclaimer: This simplified dimensional drawing does not show all details.

On request UPS3 15-50/65 130 50 Hz



Note! All units are in [mm] unless others are stated.



**Company name:**

**Created by:**

**Phone:**

**Date:**

28/04/2023

**Order Data:**

Position	Your pos.	Product name	Amount	Product No	Total
		UPS3 15-50/65 130	1	On request	Price on request