

**Qty. Description**

1 TP 65-720/2 A-F-A-BQQE-QW1


**Note! Product picture may differ from actual product**

Product No.: [96087529](#)

Single-stage, close-coupled, volute pump with in-line suction and discharge ports of identical diameter. The pump is of the top-pull-out design, i.e. the power head (motor, pump head and impeller) can be removed for maintenance or service while the pump housing remains in the pipework.

The pump is fitted with an unbalanced rubber bellows seal. The shaft seal is according to EN 12756. Pipework connection is via PN 16 DIN flanges (EN 1092-2 and ISO 7005-2).

The pump is fitted with a fan-cooled asynchronous motor.

**Controls:**

Frequency converter: None

**Liquid:**

Pumped liquid: Water

Liquid temperature range: -25 .. 120 °C

Selected liquid temperature: 20 °C

Density: 998.2 kg/m<sup>3</sup>
**Technical:**

Pump speed on which pump data are based: 2945 rpm

Rated flow: 77.2 m<sup>3</sup>/h

Rated head: 61.5 m

Actual impeller diameter: 230 mm

Code for shaft seal: BQQE

Curve tolerance: ISO9906:2012 3B

**Materials:**

Pump housing: Cast iron  
EN-GJL-250  
ASTM class 35

Impeller: Cast iron  
EN-GJL-200  
ASTM class 30

**Installation:**

Range of ambient temperature: -30 .. 60 °C

Maximum operating pressure: 16 bar

Max pressure at stated temp: 16 bar / 120 °C

Type of connection: DIN

Size of connection: DN 65

Pressure rating for connection: PN 16

Port-to-port length: 475 mm

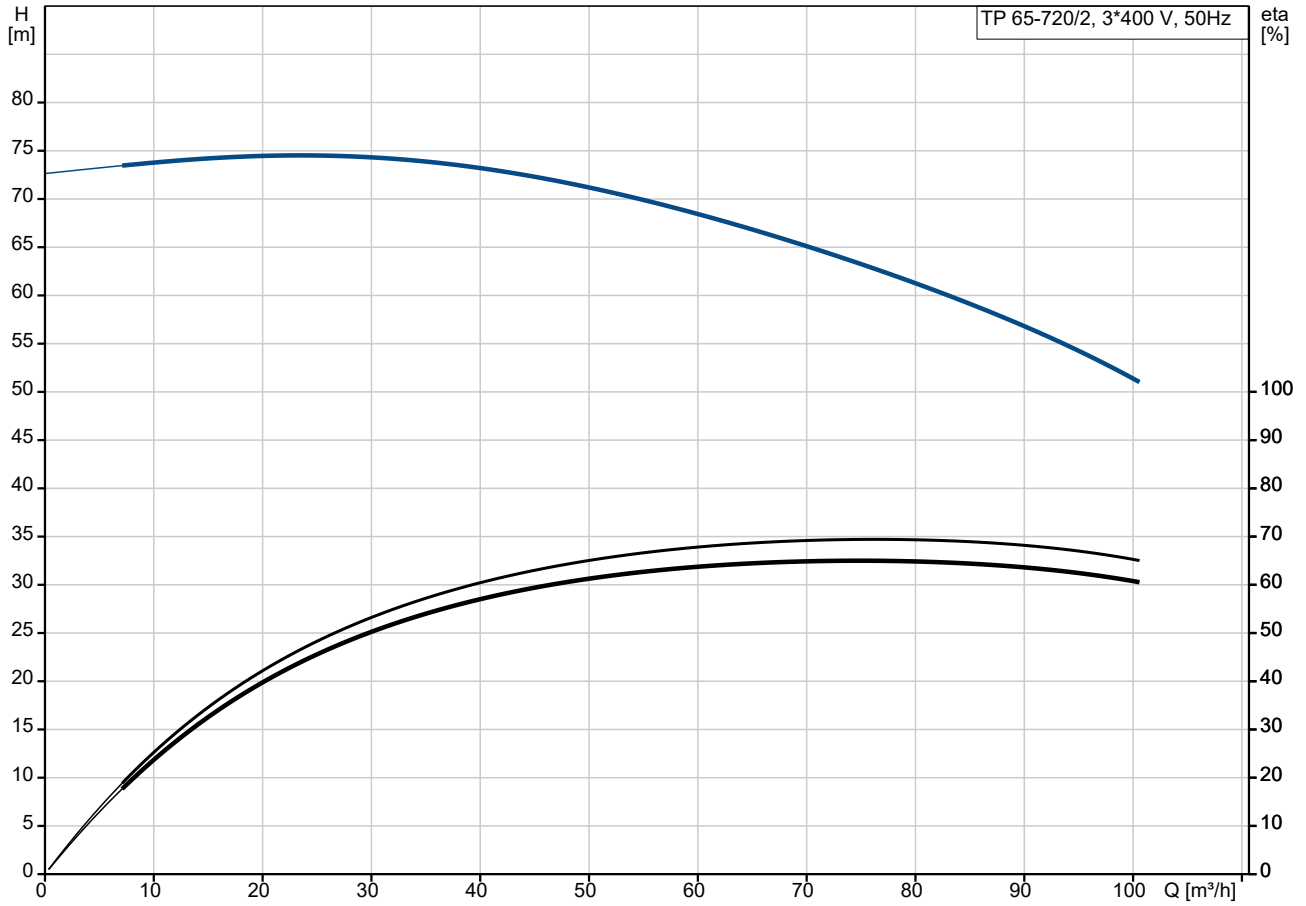
Flange size for motor: FF300

**Electrical data:**

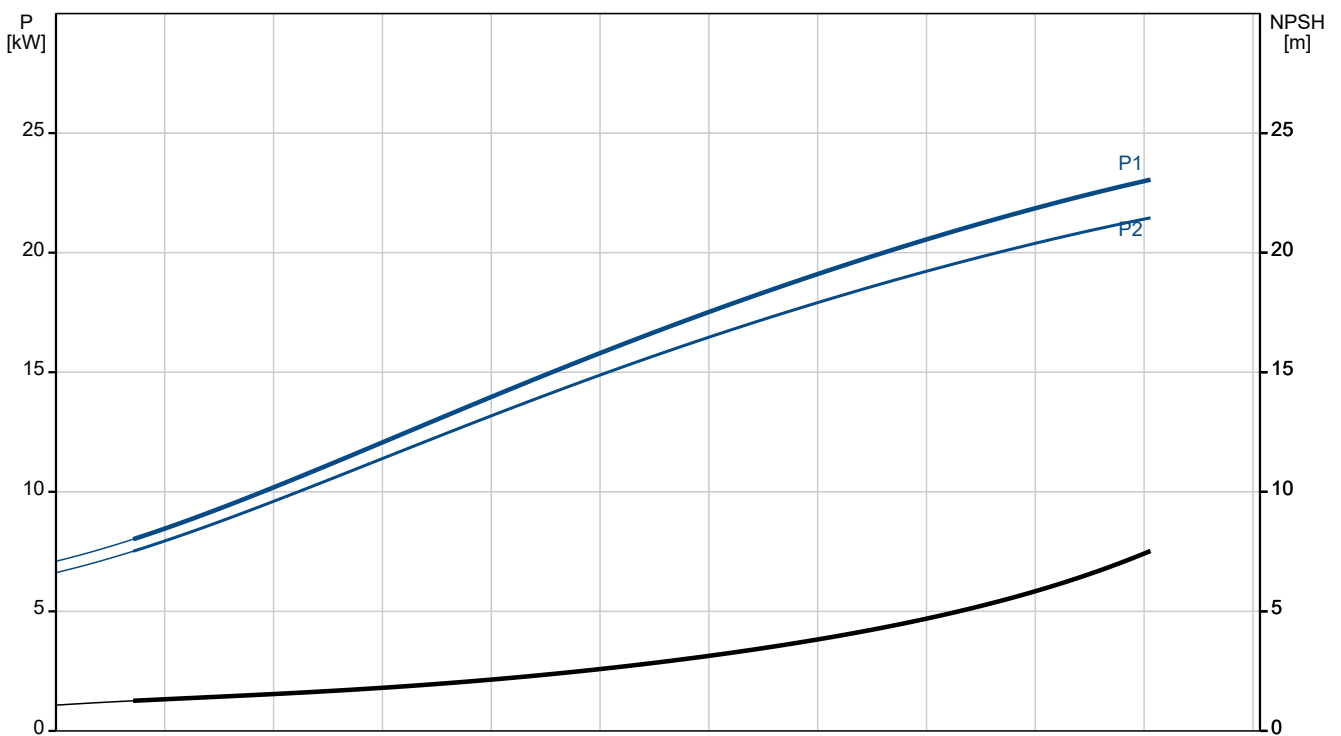
Motor type: 180MB

Qty.	Description																																																
1	<table border="0"> <tr> <td>Rated power - P2:</td> <td>22 kW</td> </tr> <tr> <td>Mains frequency:</td> <td>50 Hz</td> </tr> <tr> <td>Rated voltage:</td> <td>3 x 380-415D/660-690Y V</td> </tr> <tr> <td>Rated current:</td> <td>39.5/22.8 A</td> </tr> <tr> <td>Starting current:</td> <td>830 %</td> </tr> <tr> <td>Cos phi - power factor:</td> <td>0.90-0.90</td> </tr> <tr> <td>Rated speed:</td> <td>2950 rpm</td> </tr> <tr> <td>IE Efficiency class:</td> <td>IE3</td> </tr> <tr> <td>Motor efficiency at full load:</td> <td>92.7-92.7 %</td> </tr> <tr> <td>Motor efficiency at 3/4 load:</td> <td>93.7-94.0 %</td> </tr> <tr> <td>Motor efficiency at 1/2 load:</td> <td>94.4-94.1 %</td> </tr> <tr> <td>Number of poles:</td> <td>2</td> </tr> <tr> <td>Enclosure class (IEC 34-5):</td> <td>55 Dust/Jetting</td> </tr> <tr> <td>Insulation class (IEC 85):</td> <td>F</td> </tr> <tr> <td>Motor No:</td> <td>87470021</td> </tr> <tr> <td colspan="2">Others:</td> </tr> <tr> <td>Minimum efficiency index, MEI ≥:</td> <td>0.70</td> </tr> <tr> <td>Net weight:</td> <td>194 kg</td> </tr> <tr> <td>Gross weight:</td> <td>231 kg</td> </tr> <tr> <td>Shipping volume:</td> <td>0.56 m<sup>3</sup></td> </tr> <tr> <td>Danish VVS No.:</td> <td>391704720</td> </tr> <tr> <td>Finnish LVI No.:</td> <td>4616085</td> </tr> <tr> <td>Country of origin:</td> <td>HU</td> </tr> <tr> <td>Custom tariff no.:</td> <td>84137051</td> </tr> </table>	Rated power - P2:	22 kW	Mains frequency:	50 Hz	Rated voltage:	3 x 380-415D/660-690Y V	Rated current:	39.5/22.8 A	Starting current:	830 %	Cos phi - power factor:	0.90-0.90	Rated speed:	2950 rpm	IE Efficiency class:	IE3	Motor efficiency at full load:	92.7-92.7 %	Motor efficiency at 3/4 load:	93.7-94.0 %	Motor efficiency at 1/2 load:	94.4-94.1 %	Number of poles:	2	Enclosure class (IEC 34-5):	55 Dust/Jetting	Insulation class (IEC 85):	F	Motor No:	87470021	Others:		Minimum efficiency index, MEI ≥:	0.70	Net weight:	194 kg	Gross weight:	231 kg	Shipping volume:	0.56 m <sup>3</sup>	Danish VVS No.:	391704720	Finnish LVI No.:	4616085	Country of origin:	HU	Custom tariff no.:	84137051
Rated power - P2:	22 kW																																																
Mains frequency:	50 Hz																																																
Rated voltage:	3 x 380-415D/660-690Y V																																																
Rated current:	39.5/22.8 A																																																
Starting current:	830 %																																																
Cos phi - power factor:	0.90-0.90																																																
Rated speed:	2950 rpm																																																
IE Efficiency class:	IE3																																																
Motor efficiency at full load:	92.7-92.7 %																																																
Motor efficiency at 3/4 load:	93.7-94.0 %																																																
Motor efficiency at 1/2 load:	94.4-94.1 %																																																
Number of poles:	2																																																
Enclosure class (IEC 34-5):	55 Dust/Jetting																																																
Insulation class (IEC 85):	F																																																
Motor No:	87470021																																																
Others:																																																	
Minimum efficiency index, MEI ≥:	0.70																																																
Net weight:	194 kg																																																
Gross weight:	231 kg																																																
Shipping volume:	0.56 m <sup>3</sup>																																																
Danish VVS No.:	391704720																																																
Finnish LVI No.:	4616085																																																
Country of origin:	HU																																																
Custom tariff no.:	84137051																																																

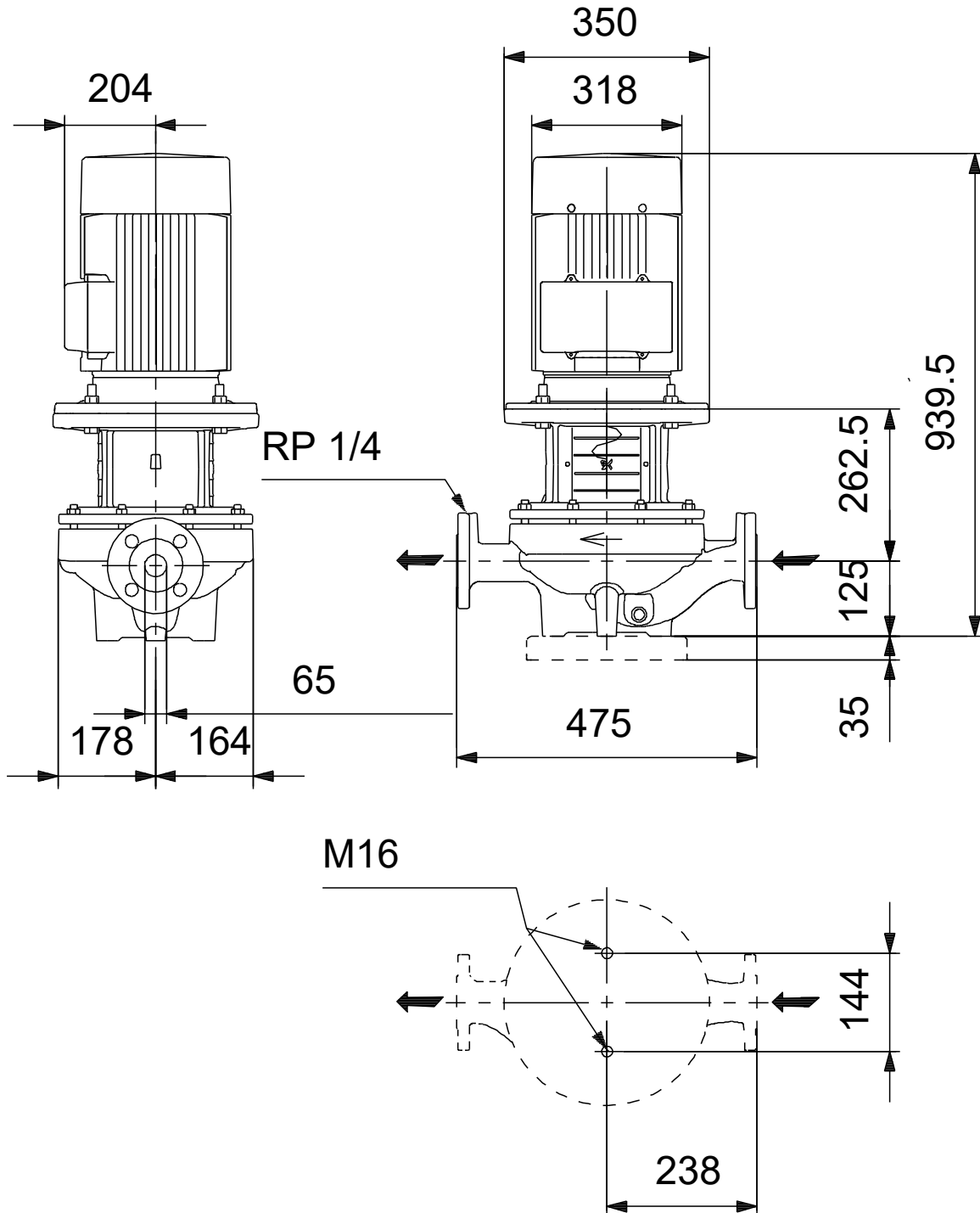
### 96087529 TP 65-720/2 A-F-A-BQQE-QW1 50 Hz



Pumped liquid = Water  
 Liquid temperature during operation = 20 °C  
 Density = 998.2 kg/m³



**96087529 TP 65-720/2 A-F-A-BQQE-QW1 50 Hz**



Note! All units are in [mm] unless others are stated.  
Disclaimer: This simplified dimensional drawing does not show all details.