

**Qty. Description**

1 TP 65-240/4 A-F-A-BQQE-KW3


**Note! Product picture may differ from actual product**

Product No.: [96087629](#)

Single-stage, close-coupled, volute pump with in-line suction and discharge ports of identical diameter. The pump is of the top-pull-out design, i.e. the power head (motor, pump head and impeller) can be removed for maintenance or service while the pump housing remains in the pipework.

The pump is fitted with an unbalanced rubber bellows seal. The shaft seal is according to EN 12756. Pipework connection is via PN 16 DIN flanges (EN 1092-2 and ISO 7005-2).

The pump is fitted with a fan-cooled asynchronous motor.

**Controls:**

Frequency converter: None

**Liquid:**

Pumped liquid: Water  
Liquid temperature range: -25 .. 120 °C  
Selected liquid temperature: 20 °C  
Density: 998.2 kg/m<sup>3</sup>
**Technical:**

Pump speed on which pump data are based: 1455 rpm  
Rated flow: 47.5 m<sup>3</sup>/h  
Rated head: 19.8 m  
Actual impeller diameter: 263 mm  
Code for shaft seal: BQQE  
Curve tolerance: ISO9906:2012 3B2

**Materials:**

Pump housing: Cast iron  
EN-GJL-250  
ASTM class 35  
Impeller: Cast iron  
EN-GJL-200  
ASTM class 30

**Installation:**

Range of ambient temperature: -20 .. 55 °C  
Maximum operating pressure: 16 bar  
Max pressure at stated temp: 16 bar / 120 °C  
Type of connection: DIN  
Size of connection: DN 65  
Pressure rating for connection: PN 16  
Port-to-port length: 475 mm  
Flange size for motor: FF215

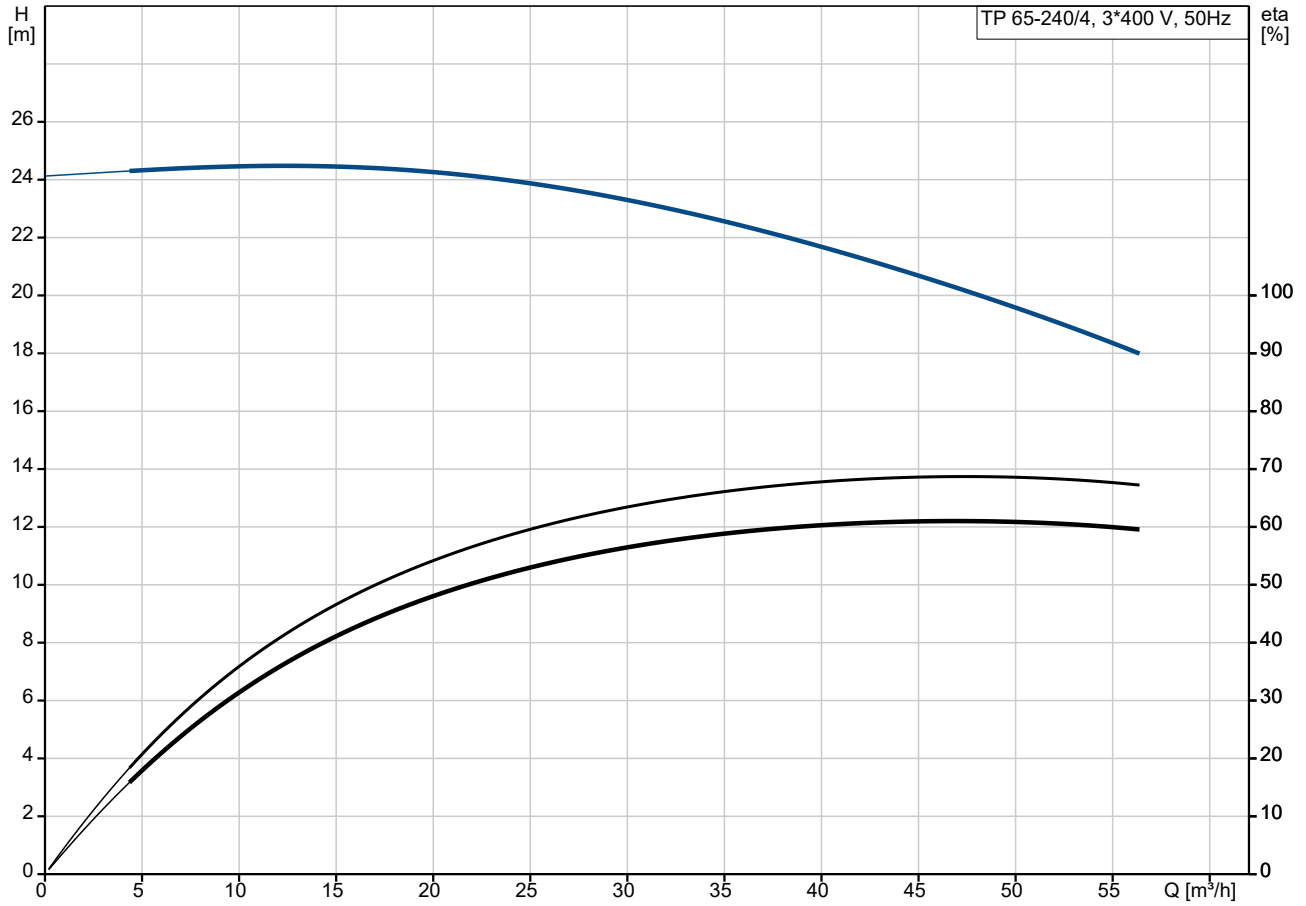
**Electrical data:**

Motor type: SIEMENS

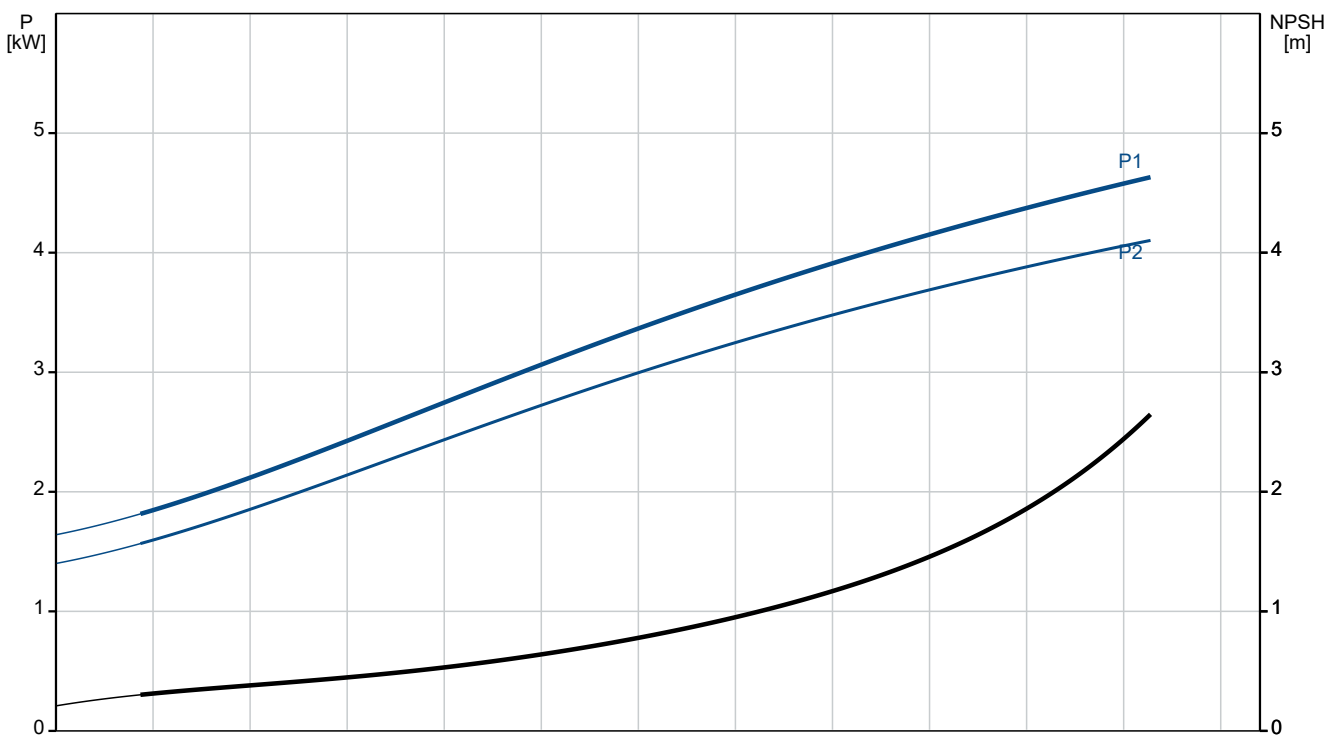
**Qty. Description**

1	<p>Rated power - P2: 4 kW</p> <p>Mains frequency: 50 Hz</p> <p>Rated voltage: 3 x 380-420D/660-725Y V</p> <p>Rated current: 7.9/4.6 A</p> <p>Starting current: 710-710 %</p> <p>Cos phi - power factor: 0.82</p> <p>Rated speed: 1460 rpm</p> <p>IE efficiency: IE3 88,6%</p> <p>IE Efficiency class: IE3</p> <p>Motor efficiency at full load: 88.6-88.6 %</p> <p>Motor efficiency at 3/4 load: 89.2-89.2 %</p> <p>Motor efficiency at 1/2 load: 88.6-88.6 %</p> <p>Number of poles: 4</p> <p>Enclosure class (IEC 34-5): IP55</p> <p>Insulation class (IEC 85): F</p> <p>Motor No: 83V15213</p> <p>Others:</p> <p>Minimum efficiency index, MEI ≥: 0.70</p> <p>Net weight: 85.5 kg</p> <p>Gross weight: 104 kg</p> <p>Shipping volume: 0.39 m<sup>3</sup></p> <p>Danish VVS No.: 381714240</p> <p>Finnish LVI No.: 4616078</p> <p>Country of origin: HU</p> <p>Custom tariff no.: 84137051</p>
---	--

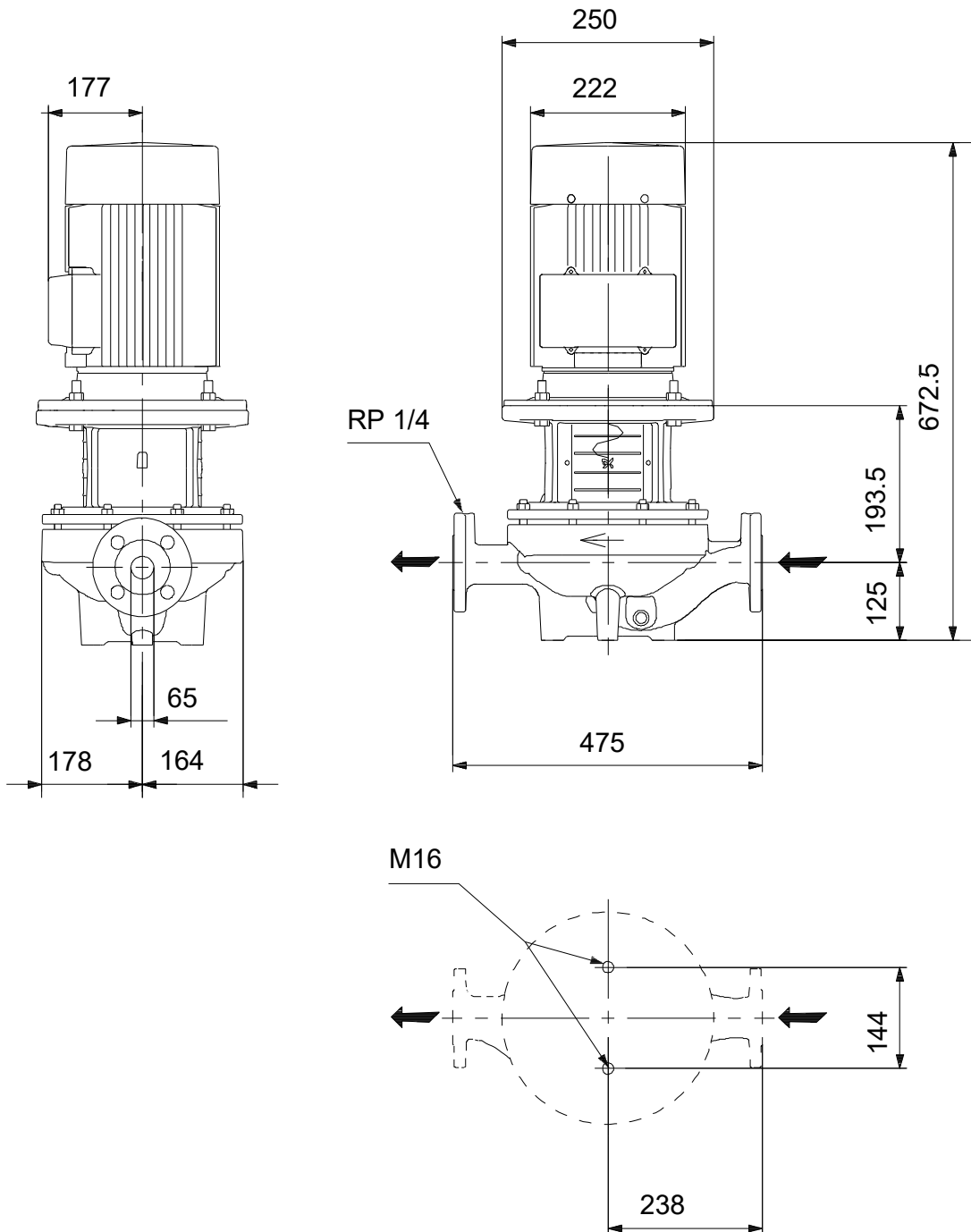
**96087629 TP 65-240/4 A-F-A-BQQE-KW3 50 Hz**



Pumped liquid = Water  
Liquid temperature during operation = 20 °C  
Density = 998.2 kg/m³



**96087629 TP 65-240/4 A-F-A-BQQE-KW3 50 Hz**



Note! All units are in [mm] unless others are stated.  
Disclaimer: This simplified dimensional drawing does not show all details.