

Qty. Description

1 TP 65-250/2 A-F-A-BQQE-KW1



Note! Product picture may differ from actual product

Product No.: [98742352](#)

Single-stage, close-coupled, volute pump with in-line suction and discharge ports of identical diameter. The pump is of the top-pull-out design, i.e. the power head (motor, pump head and impeller) can be removed for maintenance or service while the pump housing remains in the pipework.

The pump is fitted with an unbalanced rubber bellows seal. The shaft seal is according to EN 12756. Pipework connection is via PN 16 DIN flanges (EN 1092-2 and ISO 7005-2).

The pump is fitted with a fan-cooled asynchronous motor.

Controls:

Frequency converter: None

Liquid:

Pumped liquid: Water
 Liquid temperature range: -25 .. 120 °C
 Selected liquid temperature: 20 °C
 Density: 998.2 kg/m³

Technical:

Pump speed on which pump data are based: 2930 rpm
 Rated flow: 51.7 m³/h
 Rated head: 20.2 m
 Actual impeller diameter: 138 mm
 Code for shaft seal: BQQE
 Curve tolerance: ISO9906:2012 3B2

Materials:

Pump housing: Cast iron
 EN-GJL-250
 ASTM class 35
 Impeller: Cast iron
 EN-GJL-200
 ASTM class 30

Installation:

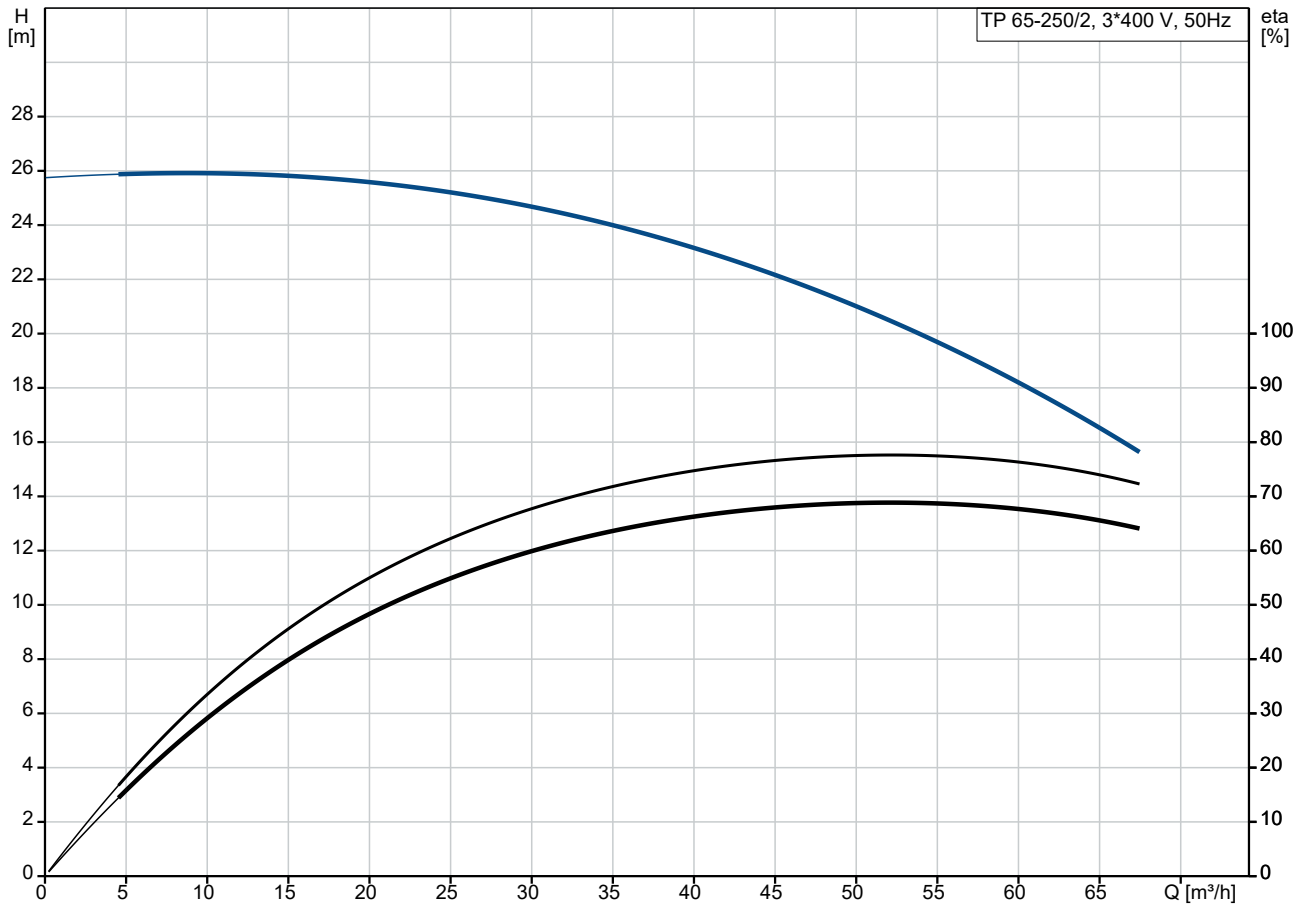
Range of ambient temperature: -30 .. 60 °C
 Maximum operating pressure: 16 bar
 Max pressure at stated temp: 16 bar / 120 °C
 Type of connection: DIN
 Size of connection: DN 65
 Pressure rating for connection: PN 16
 Port-to-port length: 360 mm
 Flange size for motor: FF215

Electrical data:

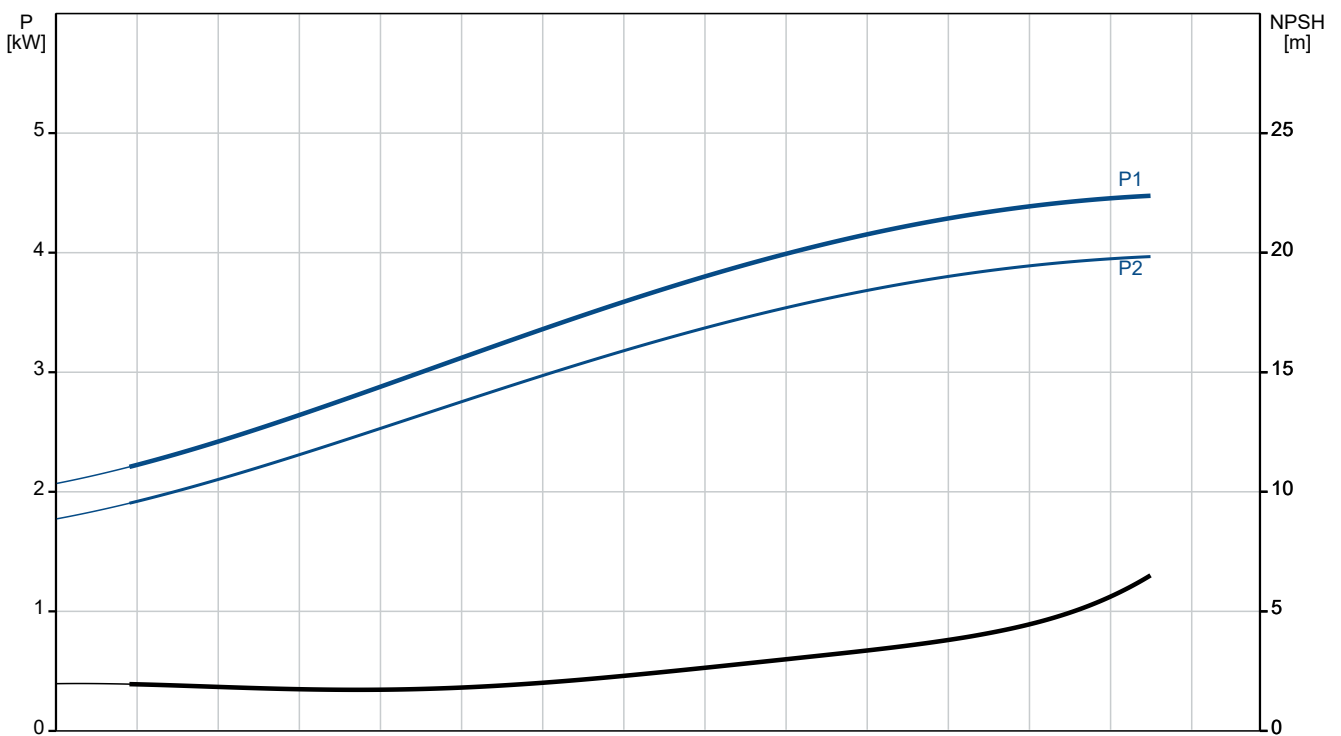
Motor type: 112MC

Qty.	Description																																																
1	<table> <tr> <td>Rated power - P2:</td> <td>4 kW</td> </tr> <tr> <td>Mains frequency:</td> <td>50 Hz</td> </tr> <tr> <td>Rated voltage:</td> <td>3 x 380-415D V</td> </tr> <tr> <td>Rated current:</td> <td>7.9 A</td> </tr> <tr> <td>Starting current:</td> <td>1000-1110 %</td> </tr> <tr> <td>Cos phi - power factor:</td> <td>0.87-0.87</td> </tr> <tr> <td>Rated speed:</td> <td>2920-2940 rpm</td> </tr> <tr> <td>IE Efficiency class:</td> <td>IE3</td> </tr> <tr> <td>Motor efficiency at full load:</td> <td>88.1-88.1 %</td> </tr> <tr> <td>Motor efficiency at 3/4 load:</td> <td>88.6-88.2 %</td> </tr> <tr> <td>Motor efficiency at 1/2 load:</td> <td>85.2-88.1 %</td> </tr> <tr> <td>Number of poles:</td> <td>2</td> </tr> <tr> <td>Enclosure class (IEC 34-5):</td> <td>55 Dust/Jetting</td> </tr> <tr> <td>Insulation class (IEC 85):</td> <td>F</td> </tr> <tr> <td>Motor No:</td> <td>87322303</td> </tr> <tr> <td colspan="2"> Others:</td> </tr> <tr> <td>Minimum efficiency index, MEI ≥:</td> <td>0.70</td> </tr> <tr> <td>Net weight:</td> <td>74.8 kg</td> </tr> <tr> <td>Gross weight:</td> <td>86 kg</td> </tr> <tr> <td>Shipping volume:</td> <td>0.217 m³</td> </tr> <tr> <td>Danish VVS No.:</td> <td>391704250</td> </tr> <tr> <td>Finnish LVI No.:</td> <td>4616079</td> </tr> <tr> <td>Country of origin:</td> <td>HU</td> </tr> <tr> <td>Custom tariff no.:</td> <td>84137051</td> </tr> </table>	Rated power - P2:	4 kW	Mains frequency:	50 Hz	Rated voltage:	3 x 380-415D V	Rated current:	7.9 A	Starting current:	1000-1110 %	Cos phi - power factor:	0.87-0.87	Rated speed:	2920-2940 rpm	IE Efficiency class:	IE3	Motor efficiency at full load:	88.1-88.1 %	Motor efficiency at 3/4 load:	88.6-88.2 %	Motor efficiency at 1/2 load:	85.2-88.1 %	Number of poles:	2	Enclosure class (IEC 34-5):	55 Dust/Jetting	Insulation class (IEC 85):	F	Motor No:	87322303	 Others:		Minimum efficiency index, MEI ≥:	0.70	Net weight:	74.8 kg	Gross weight:	86 kg	Shipping volume:	0.217 m ³	Danish VVS No.:	391704250	Finnish LVI No.:	4616079	Country of origin:	HU	Custom tariff no.:	84137051
Rated power - P2:	4 kW																																																
Mains frequency:	50 Hz																																																
Rated voltage:	3 x 380-415D V																																																
Rated current:	7.9 A																																																
Starting current:	1000-1110 %																																																
Cos phi - power factor:	0.87-0.87																																																
Rated speed:	2920-2940 rpm																																																
IE Efficiency class:	IE3																																																
Motor efficiency at full load:	88.1-88.1 %																																																
Motor efficiency at 3/4 load:	88.6-88.2 %																																																
Motor efficiency at 1/2 load:	85.2-88.1 %																																																
Number of poles:	2																																																
Enclosure class (IEC 34-5):	55 Dust/Jetting																																																
Insulation class (IEC 85):	F																																																
Motor No:	87322303																																																
 Others:																																																	
Minimum efficiency index, MEI ≥:	0.70																																																
Net weight:	74.8 kg																																																
Gross weight:	86 kg																																																
Shipping volume:	0.217 m ³																																																
Danish VVS No.:	391704250																																																
Finnish LVI No.:	4616079																																																
Country of origin:	HU																																																
Custom tariff no.:	84137051																																																

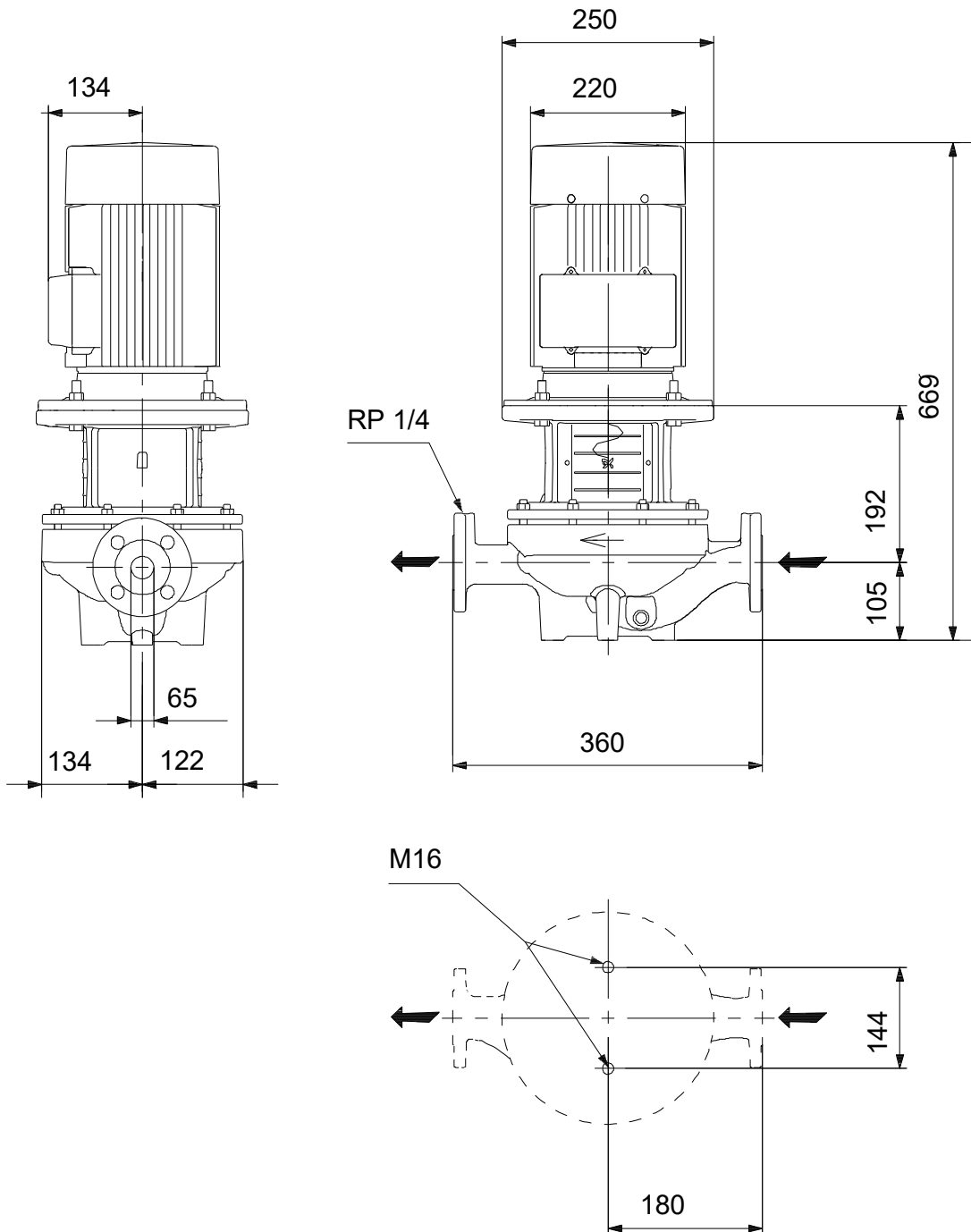
98742352 TP 65-250/2 A-F-A-BQQE-KW1 50 Hz



Pumped liquid = Water
 Liquid temperature during operation = 20 °C
 Density = 998.2 kg/m³



98742352 TP 65-250/2 A-F-A-BQQE-KW1 50 Hz



Note! All units are in [mm] unless others are stated.
Disclaimer: This simplified dimensional drawing does not show all details.