

Project:
Reference Number:

Client:
Client Number:
Contact:

Qty.	Description
1	<p data-bbox="199 436 587 465">TPE3 80-150 S-A-F-A-BQQE-HWB</p> <div data-bbox="272 481 517 801">  </div> <p data-bbox="592 779 1062 808">Note! Product picture may differ from actual product</p> <p data-bbox="199 813 464 842">Product No.: 99272198</p> <p data-bbox="199 873 1436 949">Single-stage, close-coupled, volute pump with in-line suction and discharge ports of identical diameter. The pump is of the top-pull-out design, i.e. the power head (motor, pump head and impeller) can be removed for maintenance or service while the pump housing remains in the pipework.</p> <p data-bbox="199 958 1458 987">The shaft seal is according to EN 12756. Pipework connection is via PN 10 DIN flanges (EN 1092-2 and ISO 7005-2).</p> <p data-bbox="199 1019 1449 1070">The pump is fitted with a fan-cooled, permanent-magnet synchronous motor. The motor efficiency is classified as IE5 in accordance with IEC 60034-30-2.</p> <p data-bbox="199 1079 1436 1155">The motor includes a frequency converter and PI controller in the motor terminal box. This enables continuously variable control of the motor speed, which again enables adaptation of the performance to a given requirement. The pump is fitted with a combined temperature- and differential pressure sensor.</p> <p data-bbox="199 1164 300 1193">Controls:</p> <p data-bbox="199 1193 639 1223">Frequency converter: Built-in</p> <p data-bbox="199 1254 276 1283">Liquid:</p> <p data-bbox="199 1283 632 1312">Pumped liquid: Water</p> <p data-bbox="199 1312 702 1341">Liquid temperature range: -25 .. 120 °C</p> <p data-bbox="199 1341 628 1370">Selected liquid temperature: 20 °C</p> <p data-bbox="199 1370 695 1400">Density: 998.2 kg/m³</p> <p data-bbox="199 1433 314 1462">Technical:</p> <p data-bbox="199 1462 818 1491">Pump speed on which pump data are based: 3400 rpm</p> <p data-bbox="199 1491 670 1520">Rated flow: 44.5 m³/h</p> <p data-bbox="199 1520 628 1550">Rated head: 9.9 m</p> <p data-bbox="199 1550 639 1579">Actual impeller diameter: 90 mm</p> <p data-bbox="199 1579 636 1608">Code for shaft seal: BQQE</p> <p data-bbox="199 1608 772 1637">Curve tolerance: ISO9906:2012 3B2</p> <p data-bbox="199 1675 308 1704">Materials:</p> <p data-bbox="199 1704 730 1796">Pump housing: Cast iron EN-GJL-250 ASTM class 35</p> <p data-bbox="199 1796 718 1859">Impeller: Composite PES+30% GF</p> <p data-bbox="199 1890 325 1919">Installation:</p> <p data-bbox="199 1919 691 1948">Range of ambient temperature: -20 .. 50 °C</p> <p data-bbox="199 1948 636 1977">Maximum operating pressure: 10 bar</p> <p data-bbox="199 1977 730 2007">Max pressure at stated temp: 10 bar / 120 °C</p> <p data-bbox="199 2007 608 2036">Type of connection: DIN</p> <p data-bbox="199 2036 636 2065">Size of connection: DN 80</p> <p data-bbox="199 2065 636 2094">Pressure rating for connection: PN 10</p>



Company name: national pumps and boilers
Created by:
Phone: 01539 729395
Email: info@nationlapumpsandboilers.co.uk
Date: 04/01/2024

Project:
Reference Number:

Client:
Client Number:
Contact:

Qty.	Description
1	Port-to-port length: 360 mm Flange size for motor: 56C Electrical data: Motor type: 90SC Rated power - P2: 1.5 kW Mains frequency: 50 / 60 Hz Rated voltage: 1 x 200-240 V Rated current: 9.10-7.60 A Cos phi - power factor: 0.99 Rated speed: 360-4000 rpm IE Efficiency class: IE5 Motor efficiency at full load: 87.4 % Enclosure class (IEC 34-5): IP55 Insulation class (IEC 85): F Motor No: 99137988 Others: Minimum efficiency index, MEI ≥: 0.70 Net weight: 35 kg Gross weight: 43.7 kg Shipping volume: 0.164 m ³ Danish VVS No.: 381604150 Swedish RSK No.: 5745895 Finnish LVI No.: 4616208 Norwegian NRF no.: 9043472

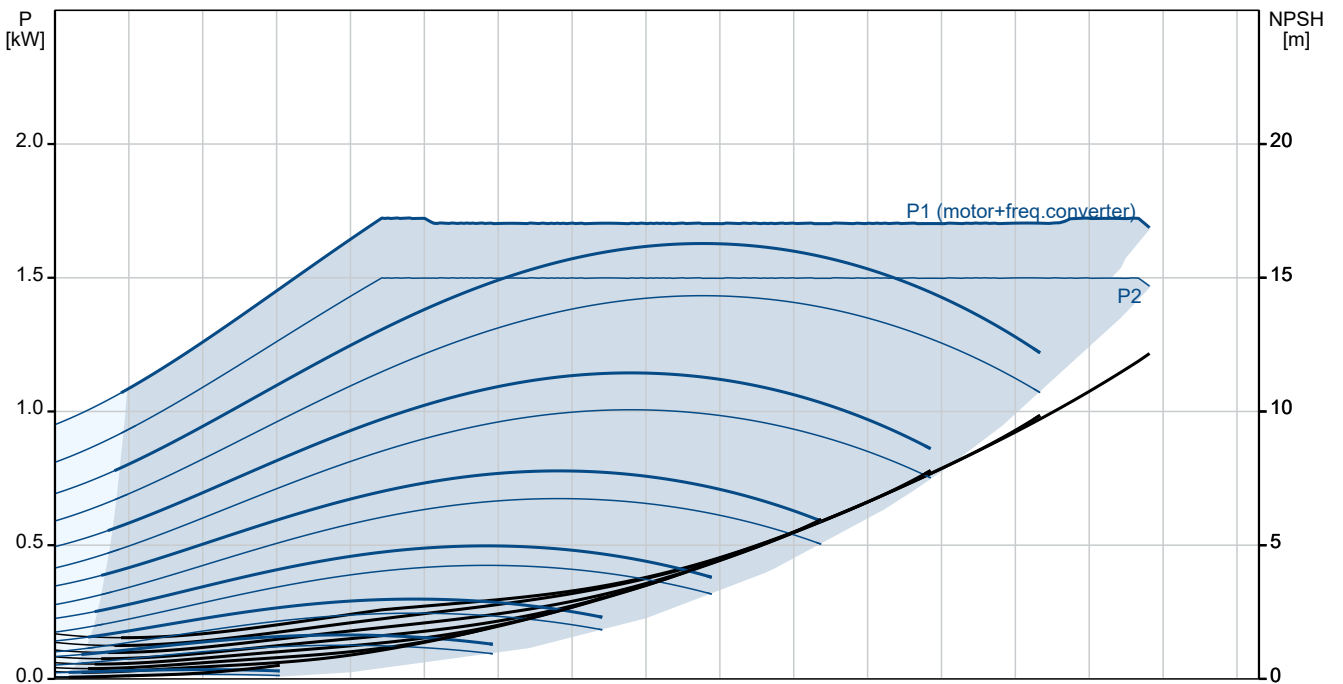
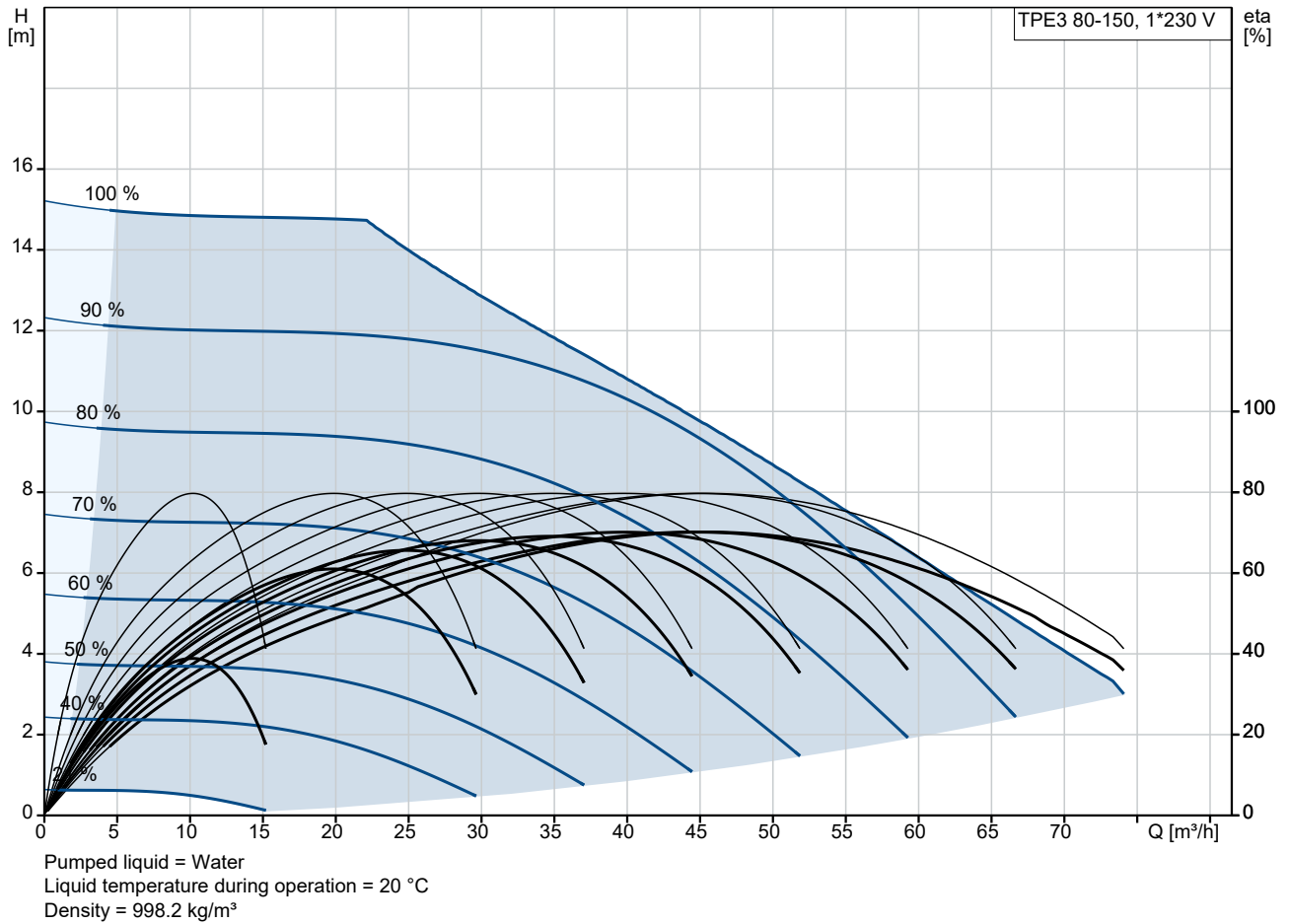


Company name: national pumps and boilers
Created by:
Phone: 01539 729395
Email: info@nationlapumpsandboilers.co.uk
Date: 04/01/2024

Project:
Reference Number:

Client:
Client Number:
Contact:

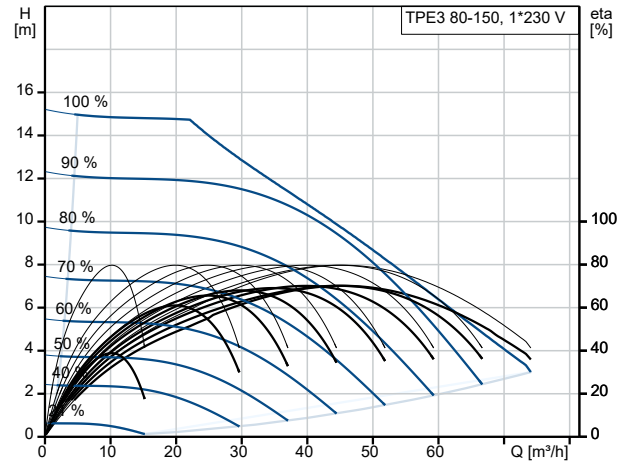
99272198 TPE3 80-150 S-A-F-A-BQQE-HWB



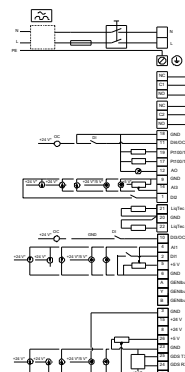
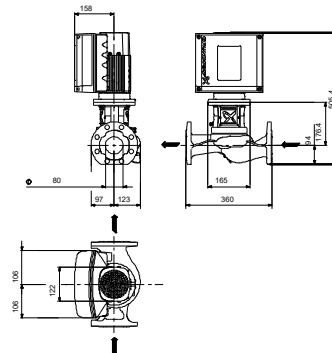
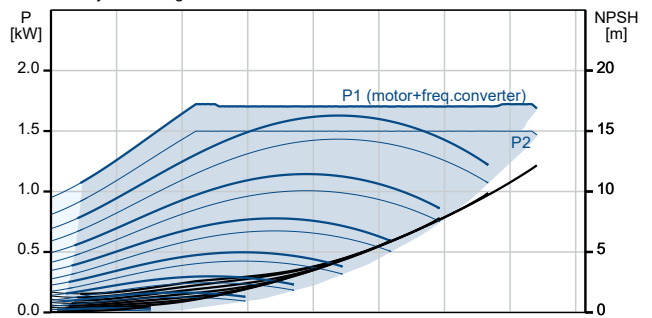
Project:
Reference Number:

Client:
Client Number:
Contact:

Description	Value
General information:	
Product name:	TPE3 80-150 S-A-F-A-BQQE-HWB
Product No:	99272198
EAN number:	5713826359874
Technical:	
Pump speed on which pump data are based:	3400 rpm
Rated flow:	44.5 m ³ /h
Rated head:	9.9 m
Maximum head:	150 dm
Actual impeller diameter:	90 mm
Code for shaft seal:	BQQE
Curve tolerance:	ISO9906:2012 3B2
Pump version:	A
Materials:	
Pump housing:	Cast iron
Pump housing:	EN-GJL-250
Pump housing:	ASTM class 35
Impeller:	Composite
Impeller:	PES+30% GF
Material code:	A
Installation:	
Range of ambient temperature:	-20 .. 50 °C
Maximum operating pressure:	10 bar
Max pressure at stated temp:	10 bar / 120 °C
Type of connection:	DIN
Size of connection:	DN 80
Pressure rating for connection:	PN 10
Port-to-port length:	360 mm
Flange size for motor:	56C
Connect code:	F
Liquid:	
Pumped liquid:	Water
Liquid temperature range:	-25 .. 120 °C
Selected liquid temperature:	20 °C
Density:	998.2 kg/m ³
Electrical data:	
Motor type:	90SC
Rated power - P2:	1.5 kW
Mains frequency:	50 / 60 Hz
Rated voltage:	1 x 200-240 V
Rated current:	9.10-7.60 A
Cos phi - power factor:	0.99
Rated speed:	360-4000 rpm
IE Efficiency class:	IE5
Motor efficiency at full load:	87.4 %
Enclosure class (IEC 34-5):	IP55
Insulation class (IEC 85):	F
Built-in motor protection:	ELEC
Motor No:	99137988
Controls:	
Control panel:	HMI300 - Graphical
Function Module:	FM300 - Advanced
Frequency converter:	Built-in



Pumped liquid = Water
 Liquid temperature during operation = 20 °C
 Density = 998.2 kg/m³





Company name: national pumps and boilers
Created by:
Phone: 01539 729395
Email: info@nationlapumpsandboilers.co.uk
Date: 04/01/2024

Project:
Reference Number:

Client:
Client Number:
Contact:

Description	Value
Others:	
Minimum efficiency index, MEI ≥:	0.70
Net weight:	35 kg
Gross weight:	43.7 kg
Shipping volume:	0.164 m ³
Config. file no:	98481409
Danish VVS No.:	381604150
Swedish RSK No.:	5745895
Finnish LVI No.:	4616208
Norwegian NRF no.:	9043472

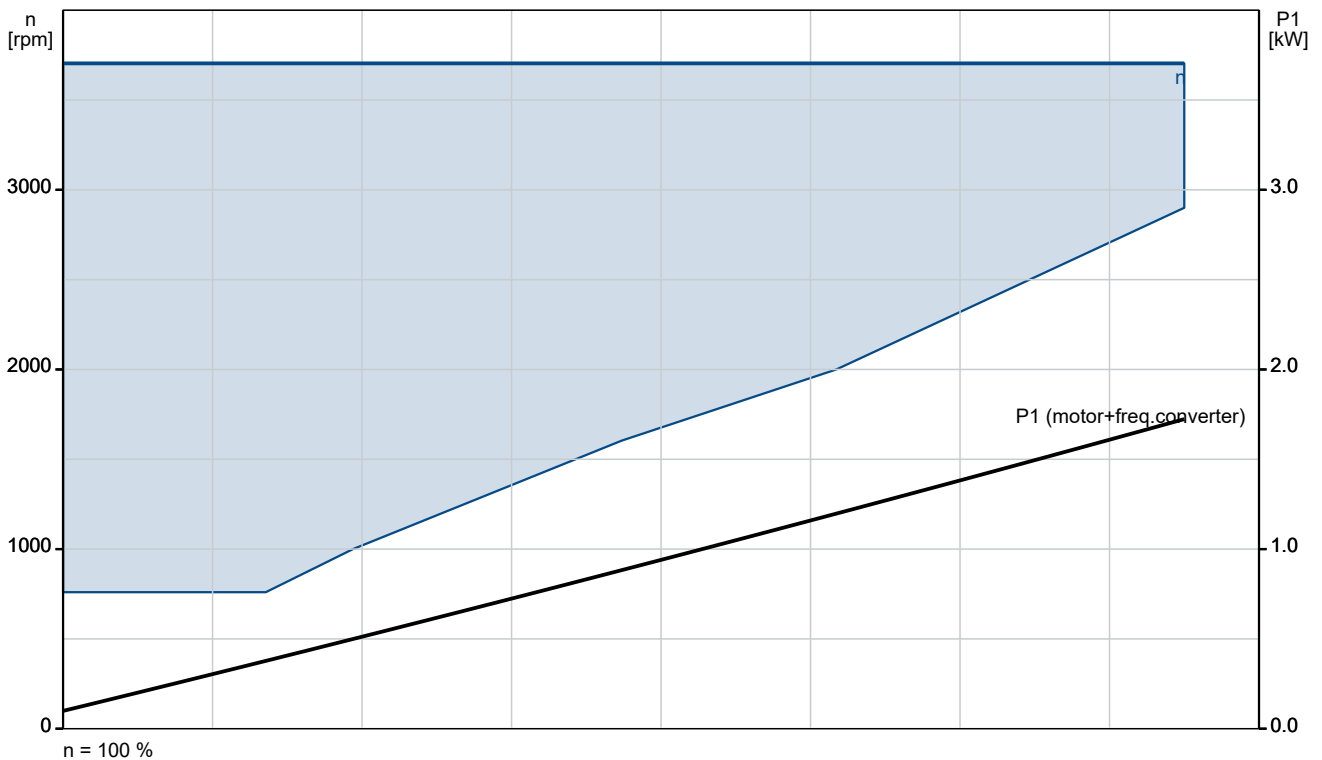
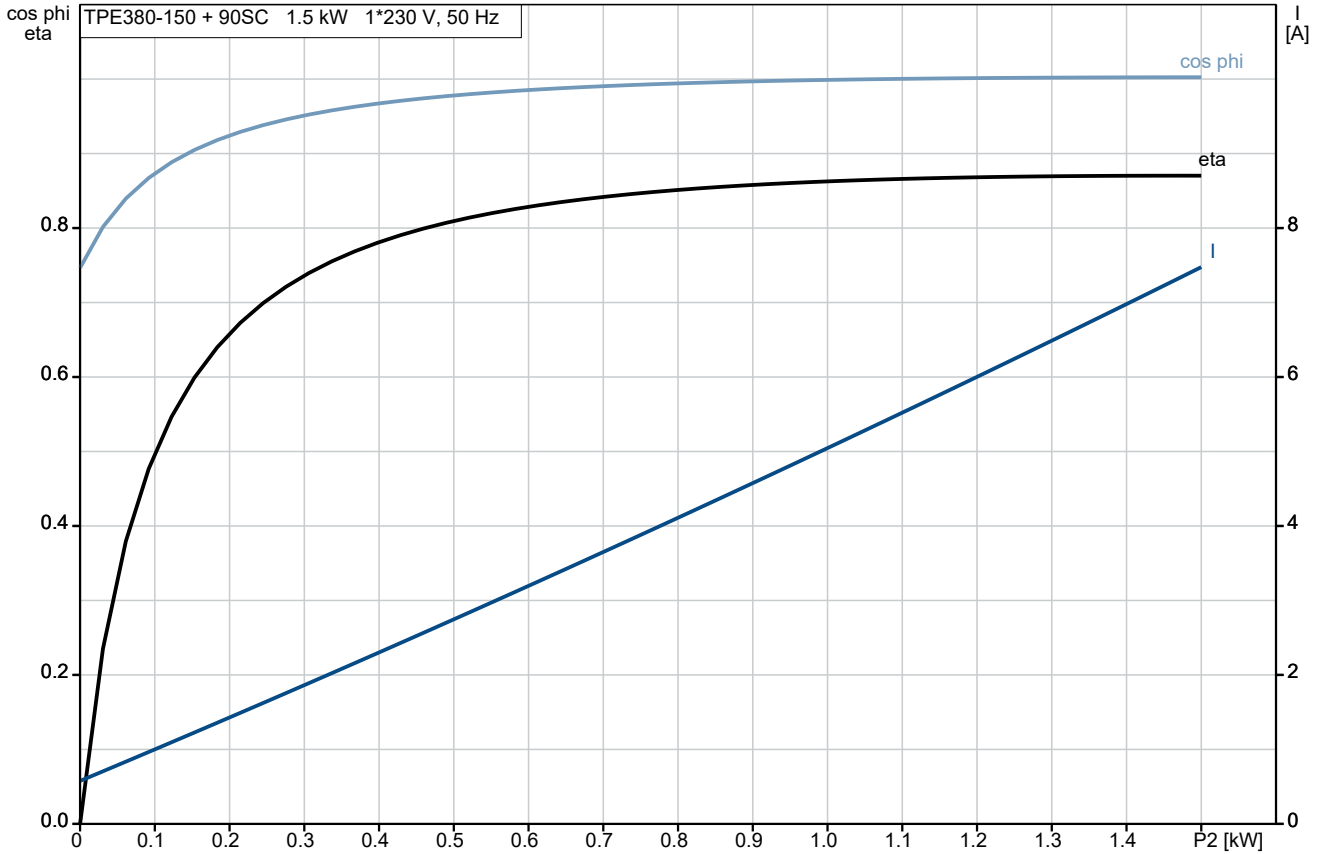


Company name: national pumps and boilers
Created by:
Phone: 01539 729395
Email: info@nationlapumpsandboilers.co.uk
Date: 04/01/2024

Project:
Reference Number:

Client:
Client Number:
Contact:

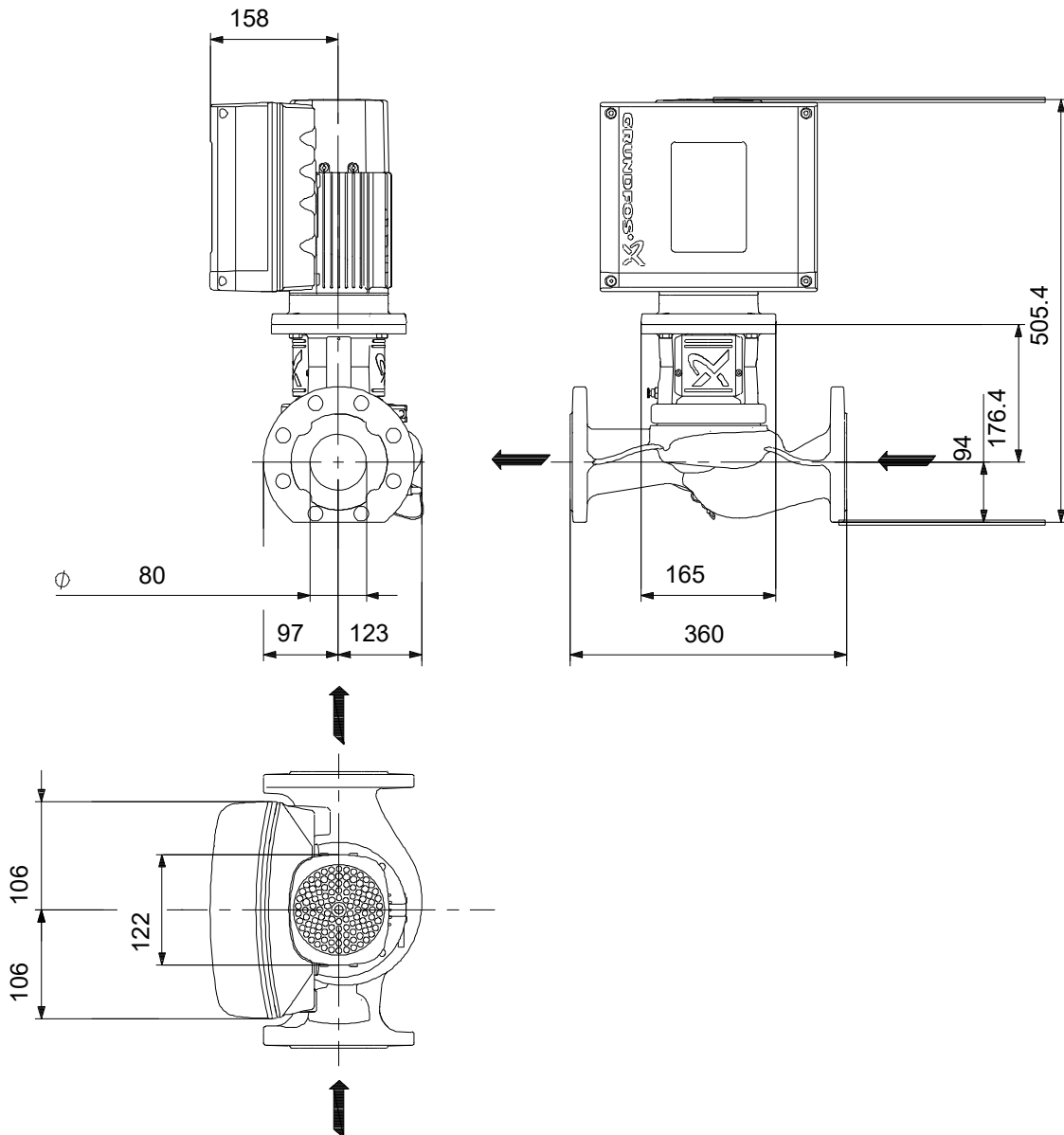
99272198 TPE3 80-150 S-A-F-A-BQQE-HWB



Project:
Reference Number:

Client:
Client Number:
Contact:

99272198 TPE3 80-150 S-A-F-A-BQQE-HWB

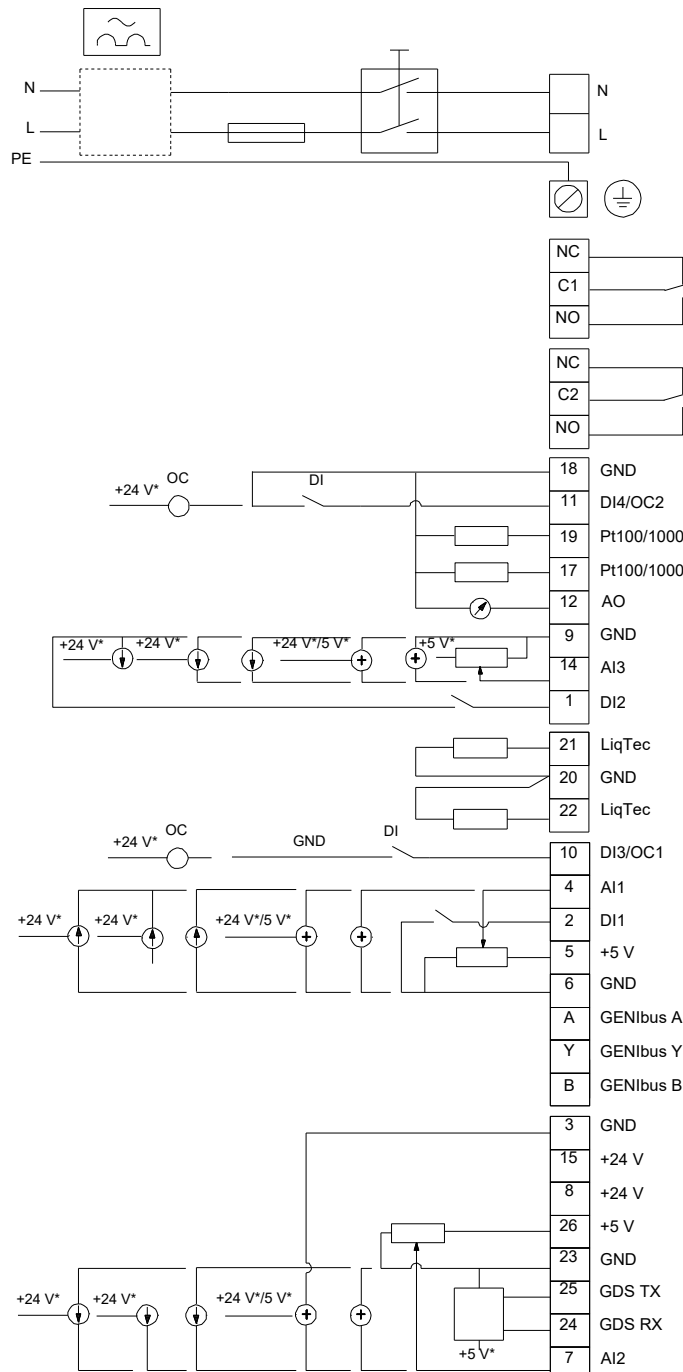


Note! All units are in [mm] unless others are stated.
 Disclaimer: This simplified dimensional drawing does not show all details.

Project:
Reference Number:

Client:
Client Number:
Contact:

99272198 TPE3 80-150 S-A-F-A-BQQE-HWB



Note! All units are in [mm] unless others are stated.