

Qty. Description

1 TP 125-340/4 A-F-A-BQQE-QW3



Note! Product picture may differ from actual product

Product No.: [98742560](#)

Single-stage, close-coupled, volute pump with in-line suction and discharge ports of identical diameter. The pump is of the top-pull-out design, i.e. the power head (motor, pump head and impeller) can be removed for maintenance or service while the pump housing remains in the pipework.

The pump is fitted with an unbalanced rubber bellows seal. The shaft seal is according to EN 12756. Pipework connection is via PN 16 DIN flanges (EN 1092-2 and ISO 7005-2).

The pump is fitted with a fan-cooled asynchronous motor.

Controls:

Frequency converter: None

Liquid:

Pumped liquid: Water
 Liquid temperature range: -25 .. 120 °C
 Selected liquid temperature: 20 °C
 Density: 998.2 kg/m³

Technical:

Pump speed on which pump data are based: 1470 rpm
 Rated flow: 0 m³/h
 Rated head: 0 m
 Actual impeller diameter: 312 mm
 Code for shaft seal: BQQE
 Curve tolerance: ISO9906:2012 3B

Materials:

Pump housing: Cast iron
 EN-GJL-250
 ASTM class 35
 Impeller: Cast iron
 EN-GJL-200
 ASTM class 30

Installation:

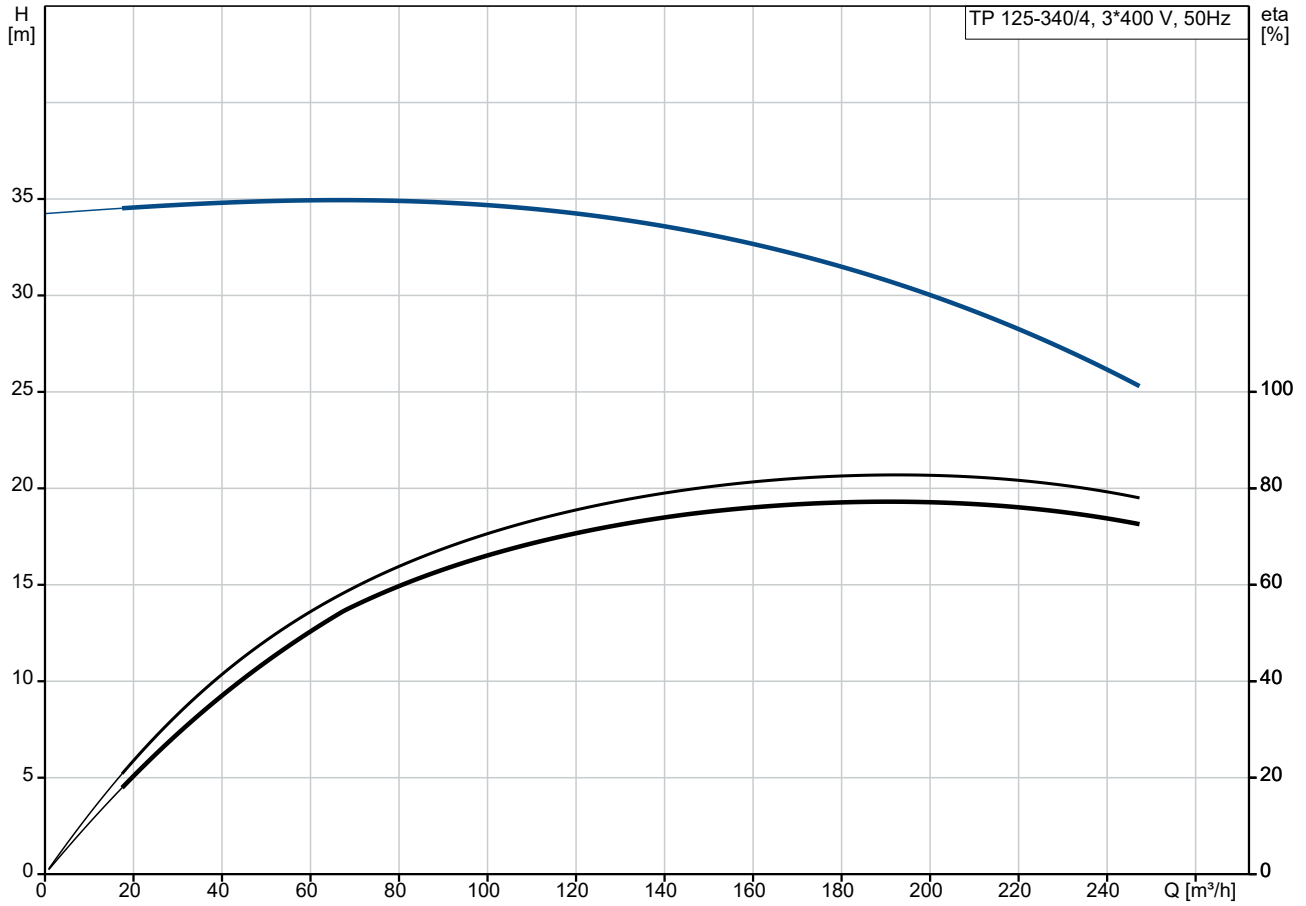
Range of ambient temperature: -20 .. 55 °C
 Maximum operating pressure: 16 bar
 Max pressure at stated temp: 16 bar / 120 °C
 Type of connection: DIN
 Size of connection: DN 125
 Pressure rating for connection: PN 16
 Port-to-port length: 800 mm
 Flange size for motor: FF300

Electrical data:

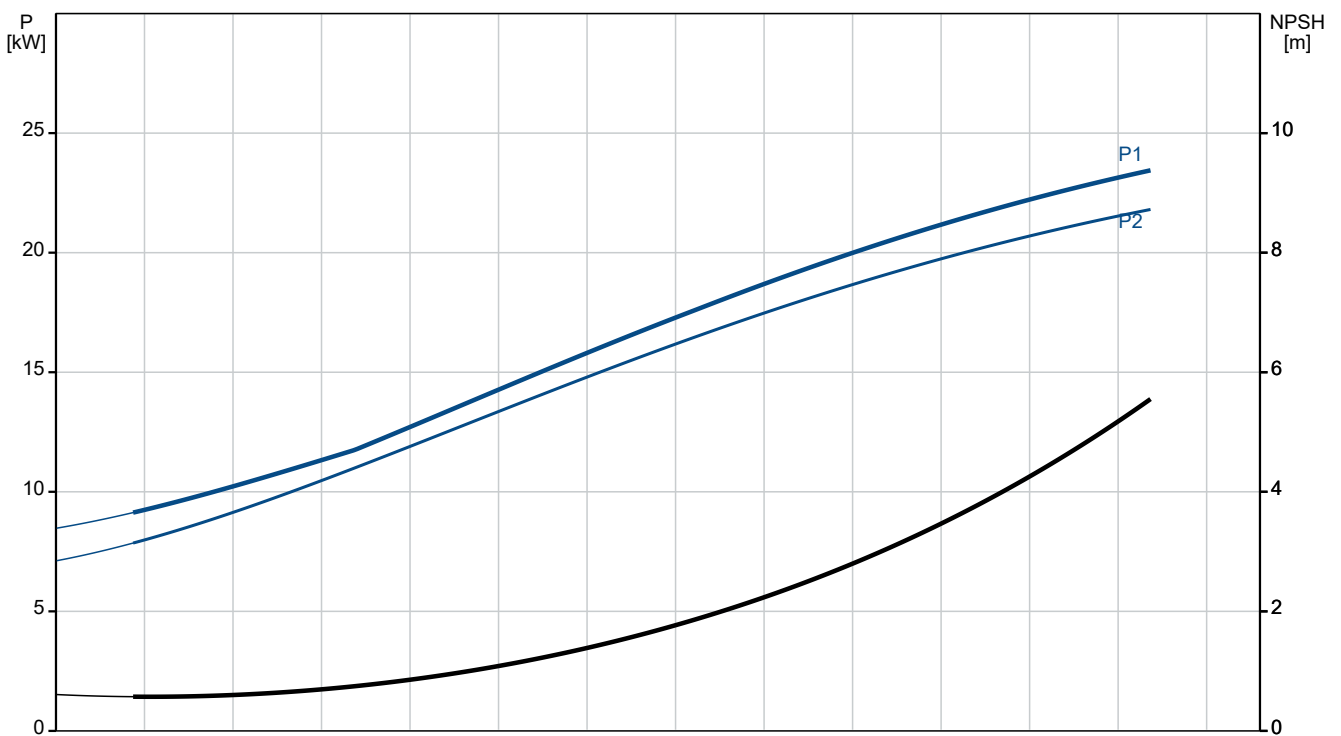
Motor type: SIEMENS

Qty.	Description																																																		
1	<table border="0"> <tr> <td>Rated power - P2:</td> <td>22 kW</td> </tr> <tr> <td>Mains frequency:</td> <td>50 Hz</td> </tr> <tr> <td>Rated voltage:</td> <td>3 x 380-420D/660-725Y V</td> </tr> <tr> <td>Rated current:</td> <td>41/24 A</td> </tr> <tr> <td>Starting current:</td> <td>680-680 %</td> </tr> <tr> <td>Cos phi - power factor:</td> <td>0.83</td> </tr> <tr> <td>Rated speed:</td> <td>1470 rpm</td> </tr> <tr> <td>IE efficiency:</td> <td>IE3 93%</td> </tr> <tr> <td>IE Efficiency class:</td> <td>IE3</td> </tr> <tr> <td>Motor efficiency at full load:</td> <td>93-93 %</td> </tr> <tr> <td>Motor efficiency at 3/4 load:</td> <td>93.6-93.6 %</td> </tr> <tr> <td>Motor efficiency at 1/2 load:</td> <td>93.6-93.6 %</td> </tr> <tr> <td>Number of poles:</td> <td>4</td> </tr> <tr> <td>Enclosure class (IEC 34-5):</td> <td>IP55</td> </tr> <tr> <td>Insulation class (IEC 85):</td> <td>F</td> </tr> <tr> <td>Motor No:</td> <td>99032118</td> </tr> <tr> <td colspan="2">Others:</td> </tr> <tr> <td>Minimum efficiency index, MEI ≥:</td> <td>0.70</td> </tr> <tr> <td>Net weight:</td> <td>368 kg</td> </tr> <tr> <td>Gross weight:</td> <td>429 kg</td> </tr> <tr> <td>Shipping volume:</td> <td>0.937 m³</td> </tr> <tr> <td>Danish VVS No.:</td> <td>381717340</td> </tr> <tr> <td>Finnish LVI No.:</td> <td>4616145</td> </tr> <tr> <td>Country of origin:</td> <td>HU</td> </tr> <tr> <td>Custom tariff no.:</td> <td>84137051</td> </tr> </table>	Rated power - P2:	22 kW	Mains frequency:	50 Hz	Rated voltage:	3 x 380-420D/660-725Y V	Rated current:	41/24 A	Starting current:	680-680 %	Cos phi - power factor:	0.83	Rated speed:	1470 rpm	IE efficiency:	IE3 93%	IE Efficiency class:	IE3	Motor efficiency at full load:	93-93 %	Motor efficiency at 3/4 load:	93.6-93.6 %	Motor efficiency at 1/2 load:	93.6-93.6 %	Number of poles:	4	Enclosure class (IEC 34-5):	IP55	Insulation class (IEC 85):	F	Motor No:	99032118	Others:		Minimum efficiency index, MEI ≥:	0.70	Net weight:	368 kg	Gross weight:	429 kg	Shipping volume:	0.937 m ³	Danish VVS No.:	381717340	Finnish LVI No.:	4616145	Country of origin:	HU	Custom tariff no.:	84137051
Rated power - P2:	22 kW																																																		
Mains frequency:	50 Hz																																																		
Rated voltage:	3 x 380-420D/660-725Y V																																																		
Rated current:	41/24 A																																																		
Starting current:	680-680 %																																																		
Cos phi - power factor:	0.83																																																		
Rated speed:	1470 rpm																																																		
IE efficiency:	IE3 93%																																																		
IE Efficiency class:	IE3																																																		
Motor efficiency at full load:	93-93 %																																																		
Motor efficiency at 3/4 load:	93.6-93.6 %																																																		
Motor efficiency at 1/2 load:	93.6-93.6 %																																																		
Number of poles:	4																																																		
Enclosure class (IEC 34-5):	IP55																																																		
Insulation class (IEC 85):	F																																																		
Motor No:	99032118																																																		
Others:																																																			
Minimum efficiency index, MEI ≥:	0.70																																																		
Net weight:	368 kg																																																		
Gross weight:	429 kg																																																		
Shipping volume:	0.937 m ³																																																		
Danish VVS No.:	381717340																																																		
Finnish LVI No.:	4616145																																																		
Country of origin:	HU																																																		
Custom tariff no.:	84137051																																																		

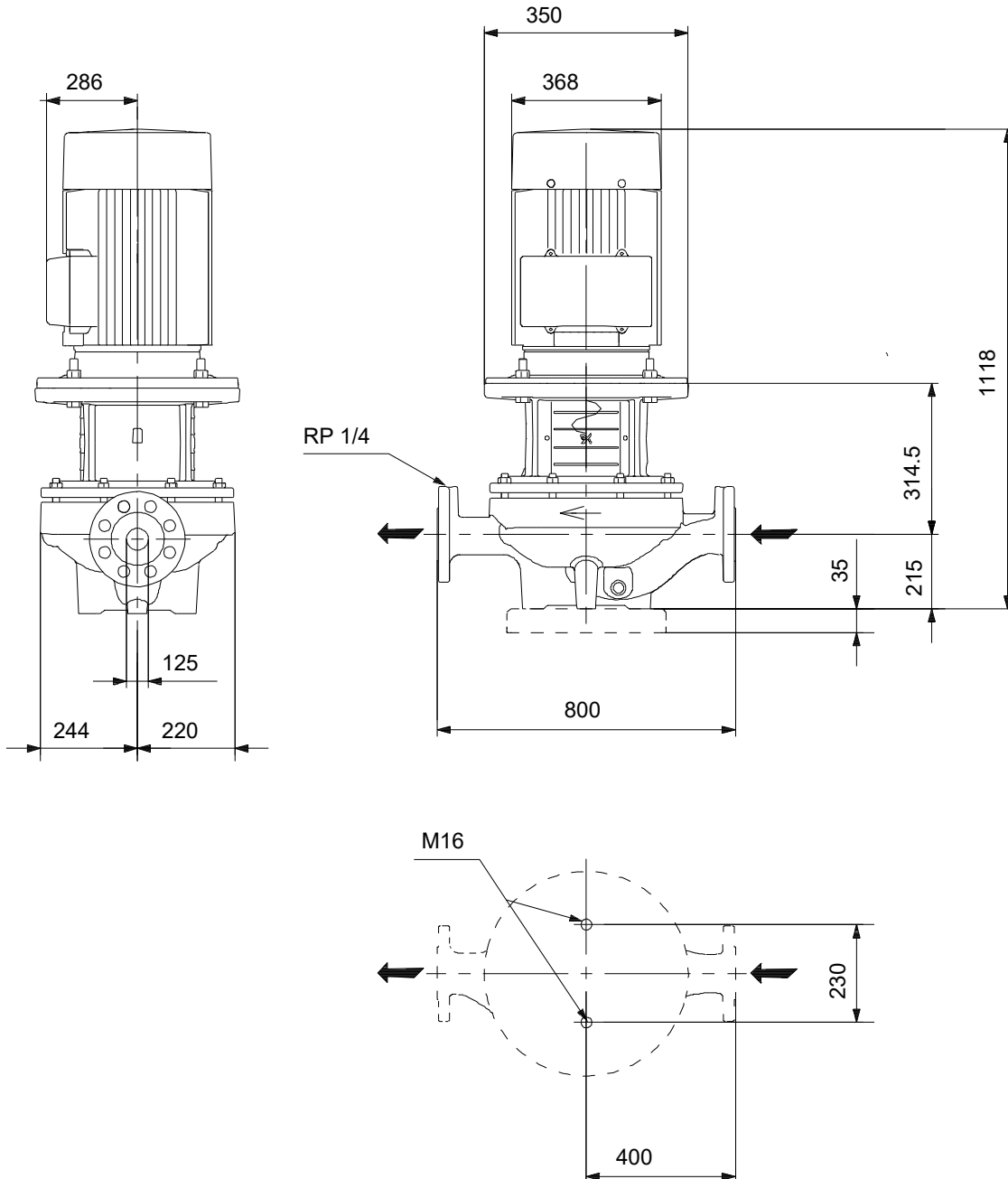
98742560 TP 125-340/4 A-F-A-BQQE-QW3 50 Hz



Pumped liquid = Water
 Liquid temperature during operation = 20 °C
 Density = 998.2 kg/m³



98742560 TP 125-340/4 A-F-A-BQQE-QW3 50 Hz



Note! All units are in [mm] unless others are stated.
Disclaimer: This simplified dimensional drawing does not show all details.