

Qty. Description

1 TP 125-95/4 A-F-A-BQQE-KW3



Note! Product picture may differ from actual product

Product No.: [98915576](#)

Single-stage, close-coupled, volute pump with in-line suction and discharge ports of identical diameter. The pump is of the top-pull-out design, i.e. the power head (motor, pump head and impeller) can be removed for maintenance or service while the pump housing remains in the pipework.

The pump is fitted with an unbalanced rubber bellows seal. The shaft seal is according to EN 12756. Pipework connection is via PN 16 DIN flanges (EN 1092-2 and ISO 7005-2).

The pump is fitted with a fan-cooled asynchronous motor.

Controls:

Frequency converter: None

Liquid:

Pumped liquid: Water  
 Liquid temperature range: -25 .. 120 °C  
 Selected liquid temperature: 20 °C  
 Density: 998.2 kg/m<sup>3</sup>

Technical:

Pump speed on which pump data are based: 1460 rpm  
 Rated flow: 128 m<sup>3</sup>/h  
 Rated head: 0 m  
 Actual impeller diameter: 176 mm  
 Code for shaft seal: BQQE  
 Curve tolerance: ISO9906:2012 3B2

Materials:

Pump housing: Cast iron  
 EN-GJL-250  
 ASTM class 35  
 Impeller: Cast iron  
 EN-GJL-200  
 ASTM class 30

Installation:

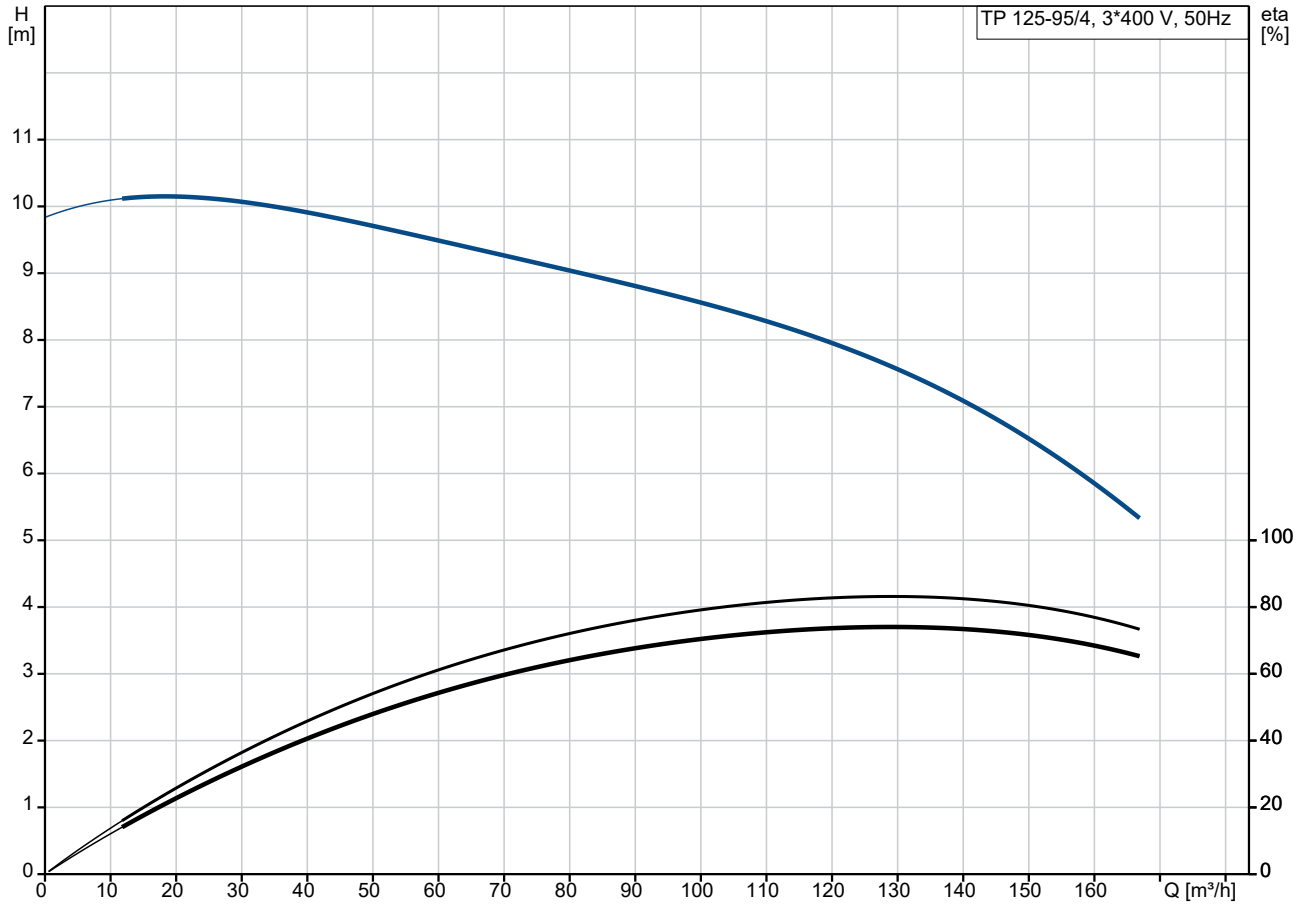
Range of ambient temperature: -20 .. 55 °C  
 Maximum operating pressure: 16 bar  
 Max pressure at stated temp: 16 bar / 120 °C  
 Type of connection: DIN  
 Size of connection: DN 125  
 Pressure rating for connection: PN 16  
 Port-to-port length: 620 mm  
 Flange size for motor: FF215

Electrical data:

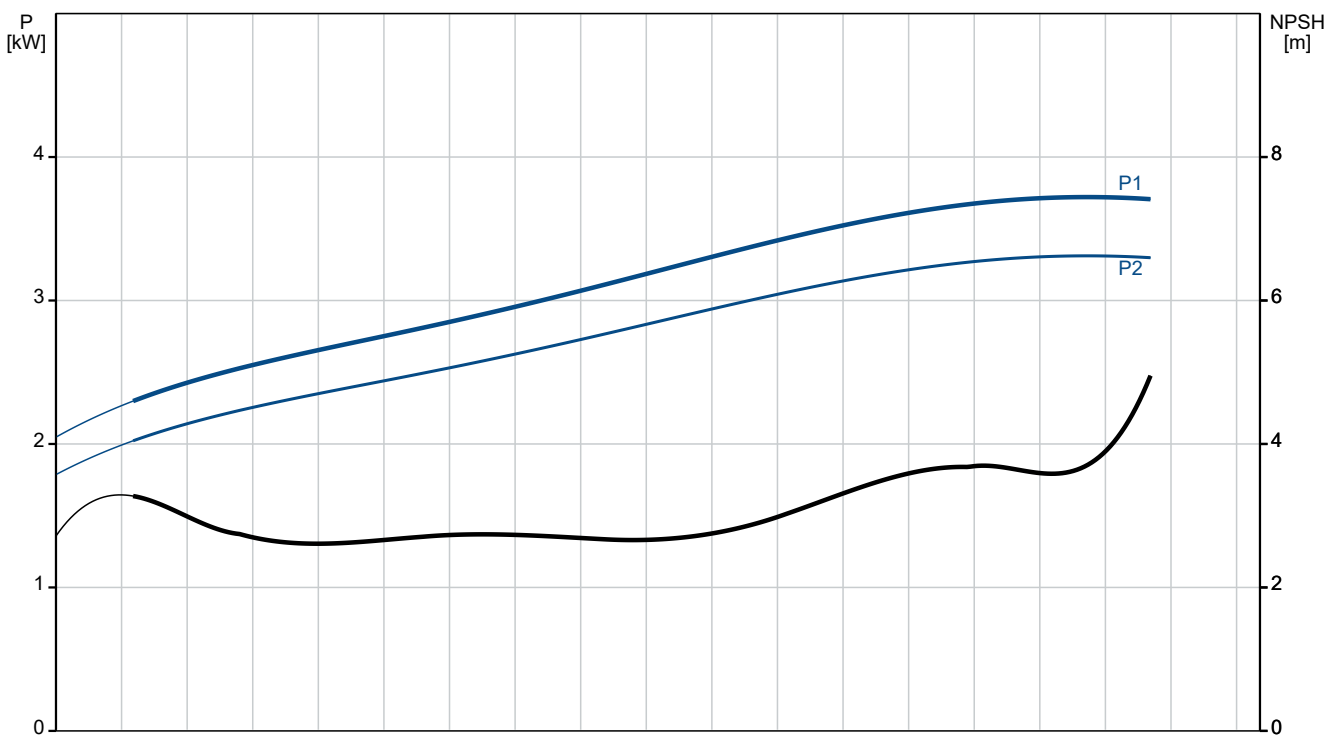
Motor type: SIEMENS

Qty.	Description																																																		
1	<table border="0"> <tr> <td>Rated power - P2:</td> <td>4 kW</td> </tr> <tr> <td>Mains frequency:</td> <td>50 Hz</td> </tr> <tr> <td>Rated voltage:</td> <td>3 x 380-420D/660-725Y V</td> </tr> <tr> <td>Rated current:</td> <td>7.9/4.6 A</td> </tr> <tr> <td>Starting current:</td> <td>710-710 %</td> </tr> <tr> <td>Cos phi - power factor:</td> <td>0.82</td> </tr> <tr> <td>Rated speed:</td> <td>1460 rpm</td> </tr> <tr> <td>IE efficiency:</td> <td>IE3 88,6%</td> </tr> <tr> <td>IE Efficiency class:</td> <td>IE3</td> </tr> <tr> <td>Motor efficiency at full load:</td> <td>88.6-88.6 %</td> </tr> <tr> <td>Motor efficiency at 3/4 load:</td> <td>89.2-89.2 %</td> </tr> <tr> <td>Motor efficiency at 1/2 load:</td> <td>88.6-88.6 %</td> </tr> <tr> <td>Number of poles:</td> <td>4</td> </tr> <tr> <td>Enclosure class (IEC 34-5):</td> <td>IP55</td> </tr> <tr> <td>Insulation class (IEC 85):</td> <td>F</td> </tr> <tr> <td>Motor No:</td> <td>83V15213</td> </tr> <tr> <td colspan="2"> Others:</td> </tr> <tr> <td>Minimum efficiency index, MEI ≥:</td> <td>0.70</td> </tr> <tr> <td>Net weight:</td> <td>130 kg</td> </tr> <tr> <td>Gross weight:</td> <td>167 kg</td> </tr> <tr> <td>Shipping volume:</td> <td>0.743 m<sup>3</sup></td> </tr> <tr> <td>Danish VVS No.:</td> <td>381717095</td> </tr> <tr> <td>Finnish LVI No.:</td> <td>4616136</td> </tr> <tr> <td>Country of origin:</td> <td>HU</td> </tr> <tr> <td>Custom tariff no.:</td> <td>84137051</td> </tr> </table>	Rated power - P2:	4 kW	Mains frequency:	50 Hz	Rated voltage:	3 x 380-420D/660-725Y V	Rated current:	7.9/4.6 A	Starting current:	710-710 %	Cos phi - power factor:	0.82	Rated speed:	1460 rpm	IE efficiency:	IE3 88,6%	IE Efficiency class:	IE3	Motor efficiency at full load:	88.6-88.6 %	Motor efficiency at 3/4 load:	89.2-89.2 %	Motor efficiency at 1/2 load:	88.6-88.6 %	Number of poles:	4	Enclosure class (IEC 34-5):	IP55	Insulation class (IEC 85):	F	Motor No:	83V15213	 Others:		Minimum efficiency index, MEI ≥:	0.70	Net weight:	130 kg	Gross weight:	167 kg	Shipping volume:	0.743 m <sup>3</sup>	Danish VVS No.:	381717095	Finnish LVI No.:	4616136	Country of origin:	HU	Custom tariff no.:	84137051
Rated power - P2:	4 kW																																																		
Mains frequency:	50 Hz																																																		
Rated voltage:	3 x 380-420D/660-725Y V																																																		
Rated current:	7.9/4.6 A																																																		
Starting current:	710-710 %																																																		
Cos phi - power factor:	0.82																																																		
Rated speed:	1460 rpm																																																		
IE efficiency:	IE3 88,6%																																																		
IE Efficiency class:	IE3																																																		
Motor efficiency at full load:	88.6-88.6 %																																																		
Motor efficiency at 3/4 load:	89.2-89.2 %																																																		
Motor efficiency at 1/2 load:	88.6-88.6 %																																																		
Number of poles:	4																																																		
Enclosure class (IEC 34-5):	IP55																																																		
Insulation class (IEC 85):	F																																																		
Motor No:	83V15213																																																		
 Others:																																																			
Minimum efficiency index, MEI ≥:	0.70																																																		
Net weight:	130 kg																																																		
Gross weight:	167 kg																																																		
Shipping volume:	0.743 m <sup>3</sup>																																																		
Danish VVS No.:	381717095																																																		
Finnish LVI No.:	4616136																																																		
Country of origin:	HU																																																		
Custom tariff no.:	84137051																																																		

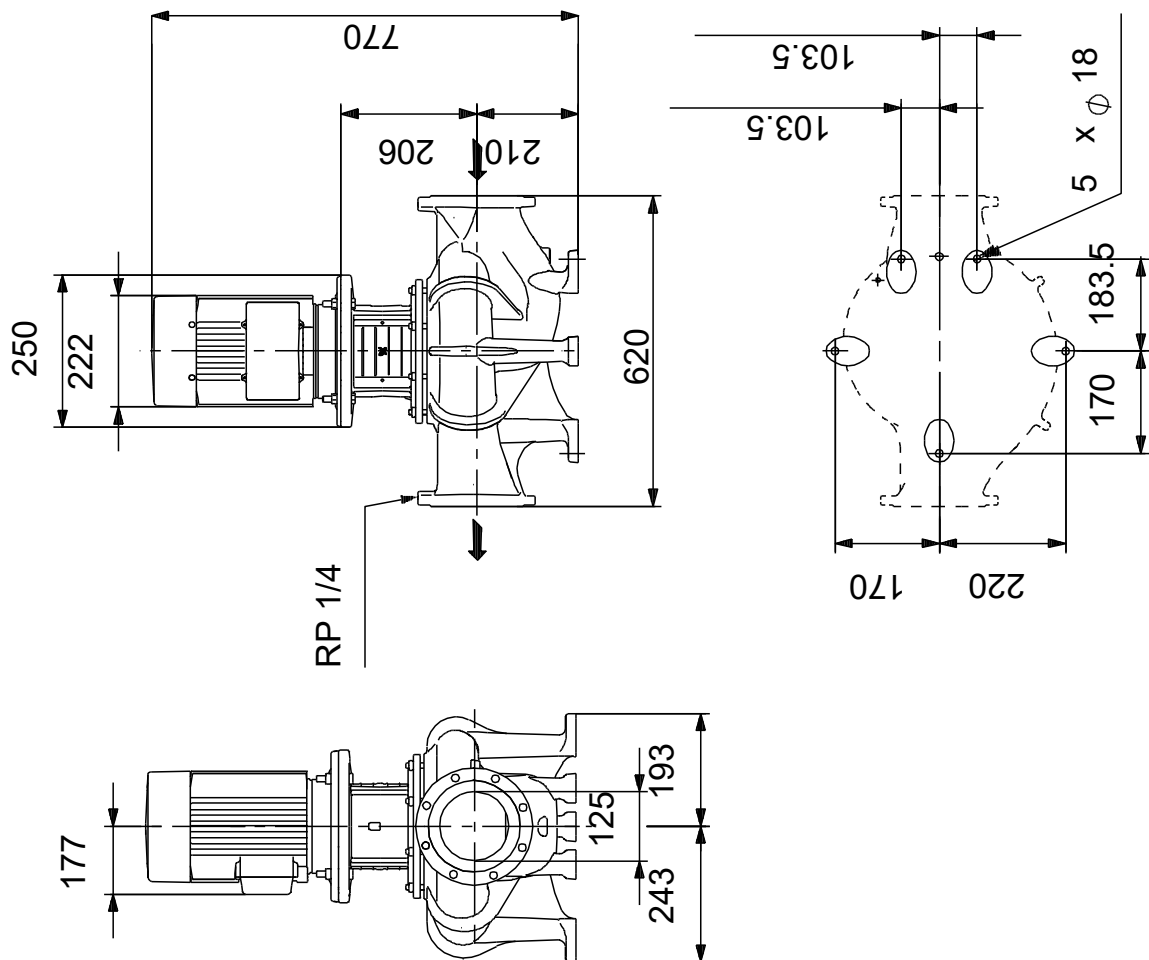
### 98915576 TP 125-95/4 A-F-A-BQQE-KW3 50 Hz



Pumped liquid = Water  
Liquid temperature during operation = 20 °C  
Density = 998.2 kg/m³



**98915576 TP 125-95/4 A-F-A-BQQE-KW3 50 Hz**



Note! All units are in [mm] unless others are stated.  
Disclaimer: This simplified dimensional drawing does not show all details.