

Qty. Description

1 TP 50-160/2 A-F-A-BQQE-GW1


Note! Product picture may differ from actual product

Product No.: [96384271](#)

Single-stage, close-coupled, volute pump with in-line suction and discharge ports of identical diameter. The pump is of the top-pull-out design, i.e. the power head (motor, pump head and impeller) can be removed for maintenance or service while the pump housing remains in the pipework.

The pump is fitted with an unbalanced rubber bellows seal. The shaft seal is according to EN 12756. Pipework connection is via PN 16 DIN flanges (EN 1092-2 and ISO 7005-2).

The pump is fitted with a fan-cooled asynchronous motor.

Controls:

Frequency converter: None

Liquid:

Pumped liquid: Water

Liquid temperature range: -25 .. 120 °C

Selected liquid temperature: 20 °C

Density: 998.2 kg/m³
Technical:

Pump speed on which pump data are based: 2900 rpm

Rated flow: 20 m³/h

Rated head: 12 m

Actual impeller diameter: 110 mm

Code for shaft seal: BQQE

Curve tolerance: ISO9906:2012 3B2

Materials:

Pump housing: Cast iron
EN-GJL-250
ASTM class 35

Impeller: Cast iron
EN-GJL-200
ASTM class 30

Installation:

Range of ambient temperature: -30 .. 40 °C

Maximum operating pressure: 16 bar

Max pressure at stated temp: 16 bar / 120 °C

Type of connection: DIN

Size of connection: DN 50

Pressure rating for connection: PN 16

Port-to-port length: 340 mm

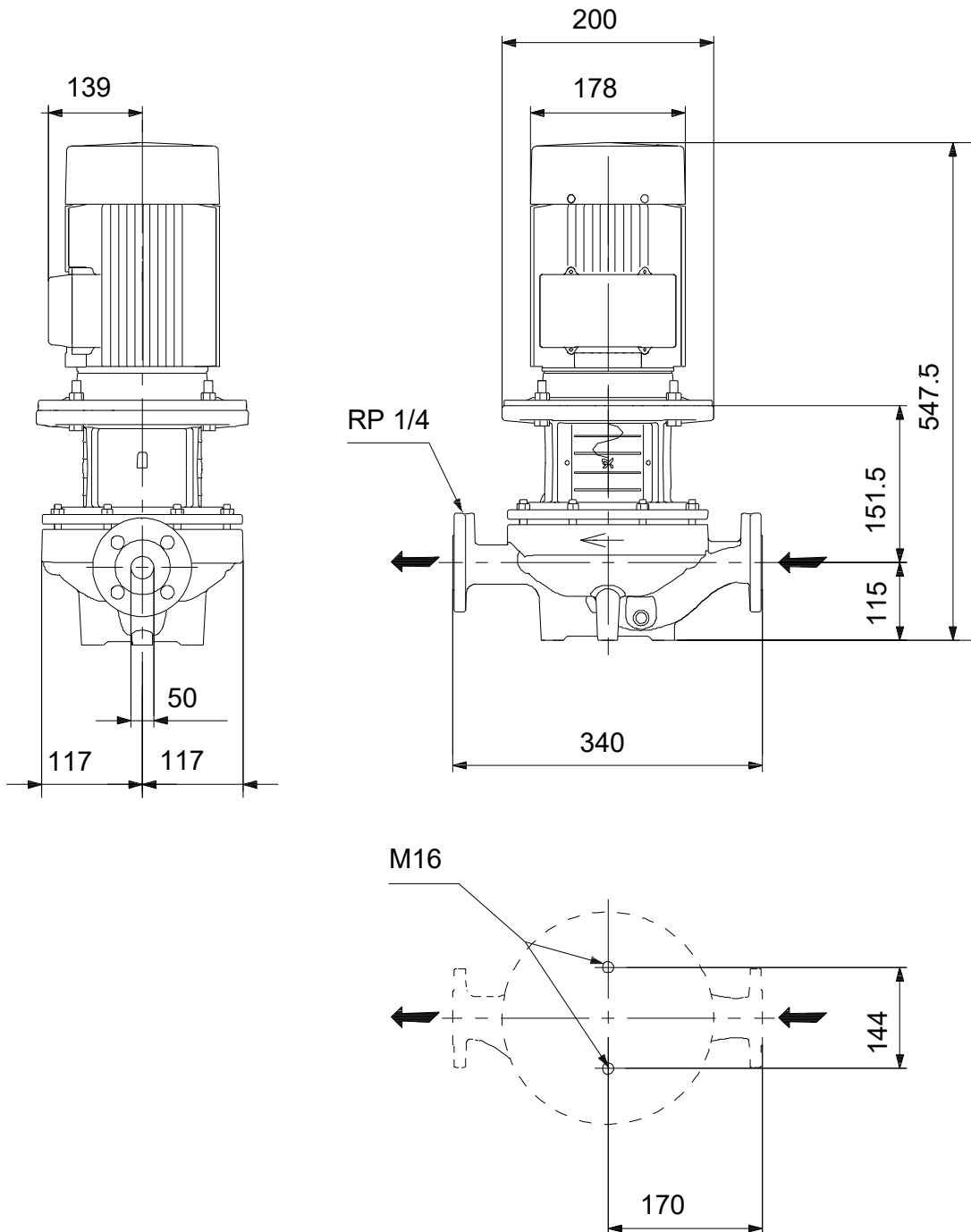
Flange size for motor: FF165

Electrical data:

Motor type: 90SE

Qty.	Description																																												
1	<table> <tr> <td>Rated power - P2:</td> <td>1.1 kW</td> </tr> <tr> <td>Mains frequency:</td> <td>50 Hz</td> </tr> <tr> <td>Rated voltage:</td> <td>1 x 220-230 V</td> </tr> <tr> <td>Rated current:</td> <td>6.60-6.30 A</td> </tr> <tr> <td>Starting current:</td> <td>470-550 %</td> </tr> <tr> <td>Cos phi - power factor:</td> <td>0.99-0.99</td> </tr> <tr> <td>Rated speed:</td> <td>2880-2890 rpm</td> </tr> <tr> <td>IE Efficiency class:</td> <td>IE2</td> </tr> <tr> <td>Motor efficiency at full load:</td> <td>79.6-79.6 %</td> </tr> <tr> <td>Motor efficiency at 3/4 load:</td> <td>81.7-80.0 %</td> </tr> <tr> <td>Motor efficiency at 1/2 load:</td> <td>75.7-72.6 %</td> </tr> <tr> <td>Number of poles:</td> <td>2</td> </tr> <tr> <td>Enclosure class (IEC 34-5):</td> <td>55 Dust/Jetting</td> </tr> <tr> <td>Insulation class (IEC 85):</td> <td>F</td> </tr> <tr> <td>Motor No:</td> <td>92766975</td> </tr> <tr> <td colspan="2">Others:</td> </tr> <tr> <td>Minimum efficiency index, MEI ≥:</td> <td>0.70</td> </tr> <tr> <td>Net weight:</td> <td>52.7 kg</td> </tr> <tr> <td>Gross weight:</td> <td>64 kg</td> </tr> <tr> <td>Shipping volume:</td> <td>0.217 m³</td> </tr> <tr> <td>Country of origin:</td> <td>HU</td> </tr> <tr> <td>Custom tariff no.:</td> <td>84137051</td> </tr> </table>	Rated power - P2:	1.1 kW	Mains frequency:	50 Hz	Rated voltage:	1 x 220-230 V	Rated current:	6.60-6.30 A	Starting current:	470-550 %	Cos phi - power factor:	0.99-0.99	Rated speed:	2880-2890 rpm	IE Efficiency class:	IE2	Motor efficiency at full load:	79.6-79.6 %	Motor efficiency at 3/4 load:	81.7-80.0 %	Motor efficiency at 1/2 load:	75.7-72.6 %	Number of poles:	2	Enclosure class (IEC 34-5):	55 Dust/Jetting	Insulation class (IEC 85):	F	Motor No:	92766975	Others:		Minimum efficiency index, MEI ≥:	0.70	Net weight:	52.7 kg	Gross weight:	64 kg	Shipping volume:	0.217 m ³	Country of origin:	HU	Custom tariff no.:	84137051
Rated power - P2:	1.1 kW																																												
Mains frequency:	50 Hz																																												
Rated voltage:	1 x 220-230 V																																												
Rated current:	6.60-6.30 A																																												
Starting current:	470-550 %																																												
Cos phi - power factor:	0.99-0.99																																												
Rated speed:	2880-2890 rpm																																												
IE Efficiency class:	IE2																																												
Motor efficiency at full load:	79.6-79.6 %																																												
Motor efficiency at 3/4 load:	81.7-80.0 %																																												
Motor efficiency at 1/2 load:	75.7-72.6 %																																												
Number of poles:	2																																												
Enclosure class (IEC 34-5):	55 Dust/Jetting																																												
Insulation class (IEC 85):	F																																												
Motor No:	92766975																																												
Others:																																													
Minimum efficiency index, MEI ≥:	0.70																																												
Net weight:	52.7 kg																																												
Gross weight:	64 kg																																												
Shipping volume:	0.217 m ³																																												
Country of origin:	HU																																												
Custom tariff no.:	84137051																																												

96384271 TP 50-160/2 A-F-A-BQQE-GW1 50 Hz



Note! All units are in [mm] unless others are stated.
Disclaimer: This simplified dimensional drawing does not show all details.