

MONSOON

Standard Single Pumps

MONSOON Standard Single pumps are ideal for boosting water pressure in either the hot and cold water supply of a positive head application in vented systems.

They require just 1 litre gravity flow per minute to start and are ideal for boosting the blended water outlet between the shower valve and shower head.

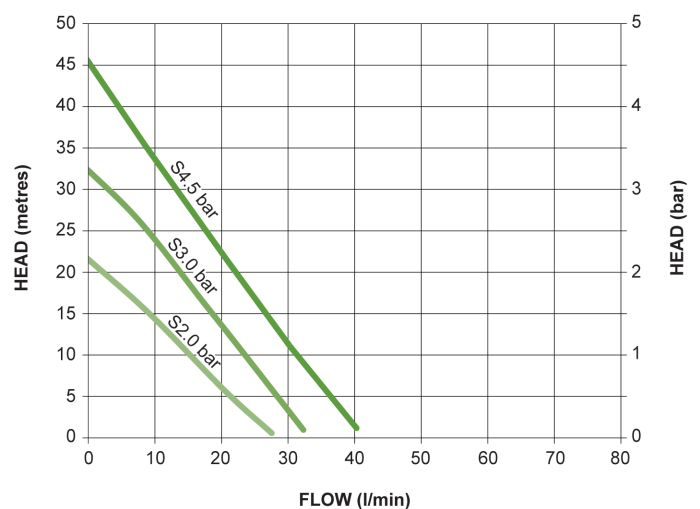


Features

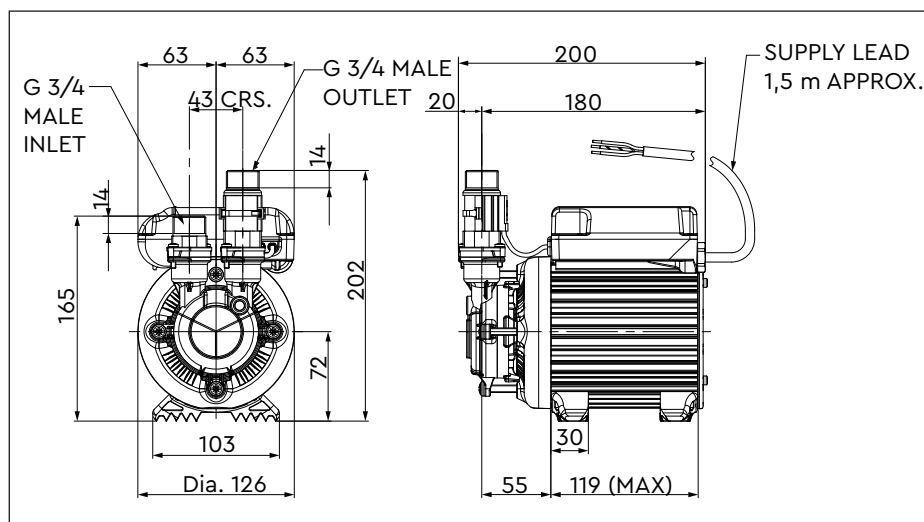
- 5 year warranty
- 2.0 – 4.5 bar options
- Suitable for positive head applications
- Premium quality brass pump supplied with flexible hoses
- Very quiet operation
- WRAS approved product / Kiwa KUKreg4
- Continuously rated
- Anti-vibration feet
- EPDM/PTFE/Al. Oxide seal
- Pre-wired with 1.5 metre power cable
- UK: Supplied with 22mm push-fit x 310mm anti-vibration flexible hoses with integral isolating valves
- ROI: Supplied with 21mm push-fit x 305mm anti-vibration flexible hoses with integral isolating valves
- Export: Supplied with G 3/4F x 318mm anti-vibration flexible hoses

Application

- Boosting hot and cold water supplies to taps, showers, a complete bathroom or the whole house in low pressure open-vented / gravity systems
- Suitable for use where there is already more than 1 litre/min flow from the outlet(s) to be boosted



		S2.0 bar Single 46497	S3.0 bar Single 46419	S4.5 bar Single 46420
GENERAL	Warranty	5 years (subject to conditions)		
	Approval certification	WRAS Approved Product Kiwa UK (KUKreg4)		
	Conformity certification	UKCA CE		
FEATURES	Pump type	Peripheral		
	Pump control	Flow switch		
	Anti-vibration feet	✓	✓	✓
	Inlet strainer(s)	✓	✓	✓
	Flexible hoses	2	2	2
	Dry run protection	✓	✓	✓
	Typical noise	42 dB(A)	48 dB(A)	55 dB(A)
PERFORMANCE	Maximum head – closed valve	2.0 bar	3.0 bar	4.5 bar
	Performance @ 9 l/min	1.5 bar	2.5 bar	3.5 bar
	Performance @ 18 l/min	0.7 bar	1.6 bar	2.4 bar
	Maximum flow	27 l/min	33 l/min	40 l/min
	Maximum static inlet pressure	14 metres		
	Maximum working pressure*	600 kPa (6 bar)		
	Maximum ambient air temperature	40 °C		
	Min / Max water temperature**	Min 4 °C / Max 65 °C		
CONSTRUCTION	Enclosure protection	IPX4		
	Pump Body / impeller	Brass		
	Mechanical seal	EPDM / PTFE / Al. Oxide		
CONNECTIONS	Pump connections	G ¾ M		
ANTI-VIBRATION HOSES	Connections (UK model)	G ¾ F x 22 mm push-fit x 310 mm long ± 5mm, isolating valves on all hoses		
	Connections (ROI model)	G ¾ F x 21 mm push-fit x 305 mm long ± 5mm, isolating valves on all hoses		
	Connections (Export model)	G ¾ F x G ¾ F x 318 mm long ± 5mm		
MOTOR	Type	Induction (auto-reset thermal trip)		
	Duty rating	Continuous (S1) @ 9 l/min and above		
ELECTRICAL	Power supply (Vac/Ph/Hz)	230 V a.c. / 1 / 50 Hz		
	Power consumption – P1	245 Watts	385 Watts	555 Watts
	Current – full load	1.1 Amps	1.7 Amps	2.4 Amps
	Fuse rating	5 Amps		
	Power cable length	1.5 metres		
DIMENSIONS	Length	200 mm		
	Width	126 mm		
	Height – excluding hoses	202 mm		
	Weight – including fittings	5.4 Kg		6.1 Kg



* The maximum pressure that can be applied to the pump under any installation conditions.

** A stored water temperature of 60 °C is considered sufficient to meet all normal requirements and will minimise deposition of scale in hard water areas.

Stuart Turner Limited reserves the right to amend specifications without notice.