


**Project:**  
**Reference Number:**

**Client:**  
**Client Number:**  
**Contact:**

Qty.	Description
1	<p data-bbox="204 439 422 465"><b>MAGNA1 40-40 F N</b></p>  <p data-bbox="595 786 1066 808">Note! Product picture may differ from actual product</p> <p data-bbox="204 815 464 837">Product No.: <a href="#">99221299</a></p> <p data-bbox="204 907 1436 1010">The Grundfos MAGNA1 circulator pump is the simple option for a job well done. With its high energy efficiency the product lives up to the EuP 2015 regulations ensuring substantial savings on electricity, and with its intuitive, user-friendly interface and maintenance-free design, MAGNA1 is the ideal circulator pump for basic performance needs in applications where basic system control and monitoring are desired.</p> <p data-bbox="204 1048 1445 1099">With this range of circulator pumps, everything from setup to basic control and monitoring are made easy. The pump is maintenance-free due to the canned-rotor type design.</p> <p data-bbox="204 1108 1430 1160">MAGNA1 offers the possibility of monitoring the pump via the fault relay output. The digital start/stop input remotely controls the pump.</p> <p data-bbox="204 1169 970 1191">The pump communicates wirelessly with the Grundfos GO Remote app.</p> <p data-bbox="204 1200 1110 1223">MAGNA1 can work as main pump in both heating and cooling applications, including:</p> <ul data-bbox="204 1256 596 1402" style="list-style-type: none"><li>• Mixing loops</li><li>• Heating surfaces</li><li>• Air-conditioning surfaces</li><li>• Ground-source heat pump systems</li><li>• Smaller chiller applications.</li></ul> <p data-bbox="204 1435 1417 1487">MAGNA1 is a single-phase pump and characterised by having the controller and operating panel integrated in the control box.</p> <p data-bbox="204 1496 1018 1518">The pump housing is available in both cast-iron and stainless-steel versions.</p> <p data-bbox="204 1527 1426 1579">The composite rotor can is carbon-fibre reinforced, the bearing plate and rotor cladding are made of stainless steel and the stator housing is made of aluminium.</p> <p data-bbox="204 1588 600 1610">The power electronics are air-cooled.</p> <p data-bbox="204 1671 1458 1749">The pump incorporates a 4-pole synchronous, permanent-magnet motor (PM motor). This motor type is characterised by higher efficiency than a conventional asynchronous squirrel-cage motor. The pump speed is controlled by an integrated frequency converter.</p>

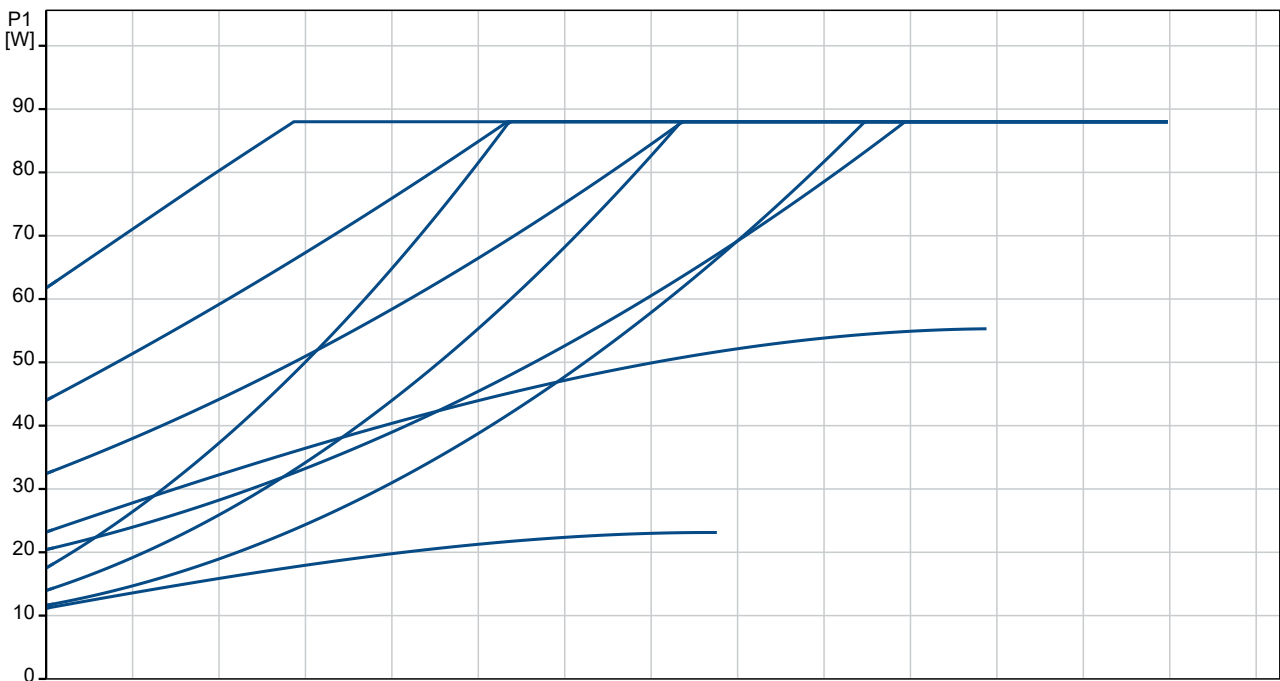
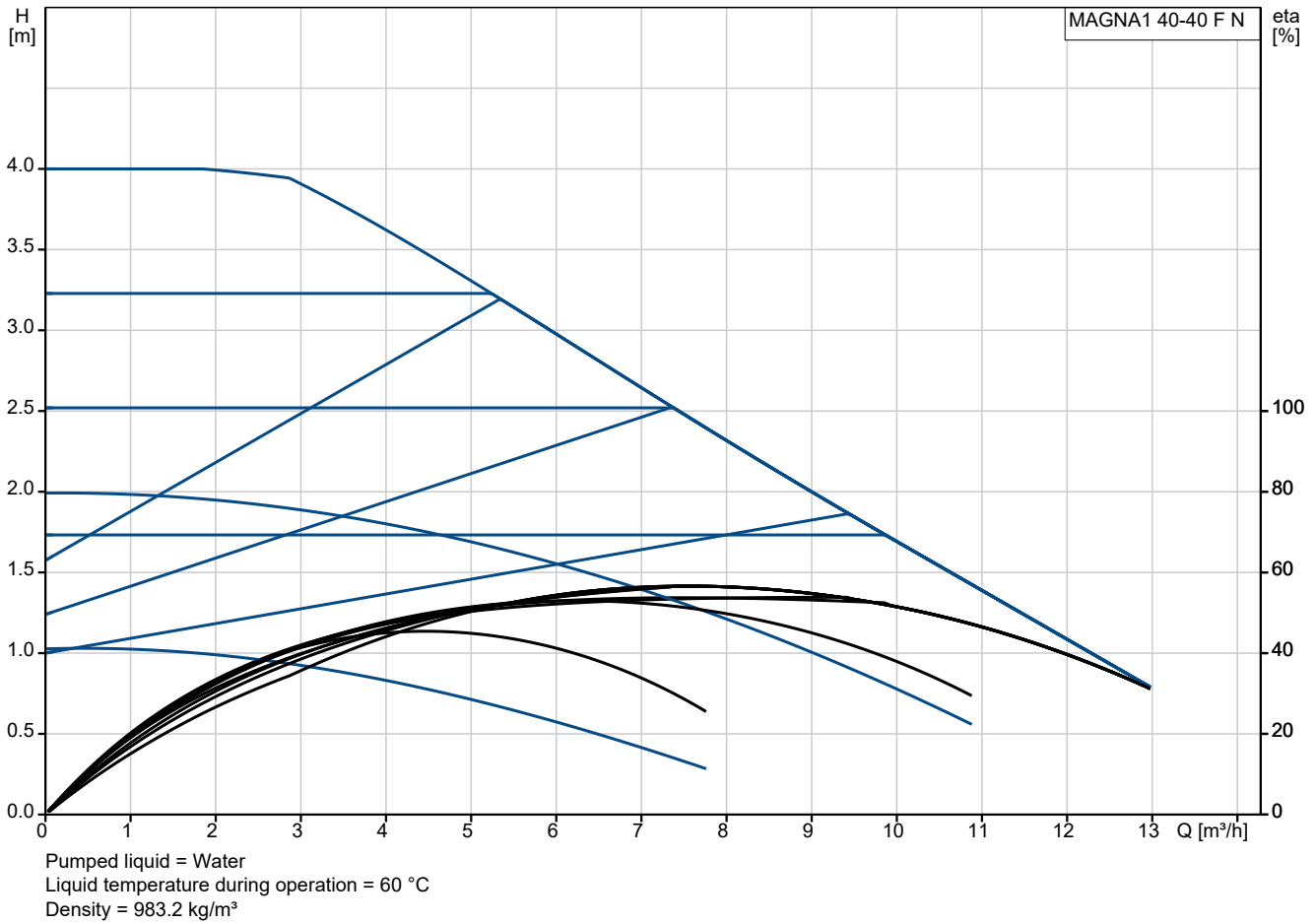


Company name: national pumps and boilers  
Created by:  
Phone: 01539 729395  
Email: info@nationlapumpsandboilers.co.uk  
Date: 28/12/2023

Project:  
Reference Number:

Client:  
Client Number:  
Contact:

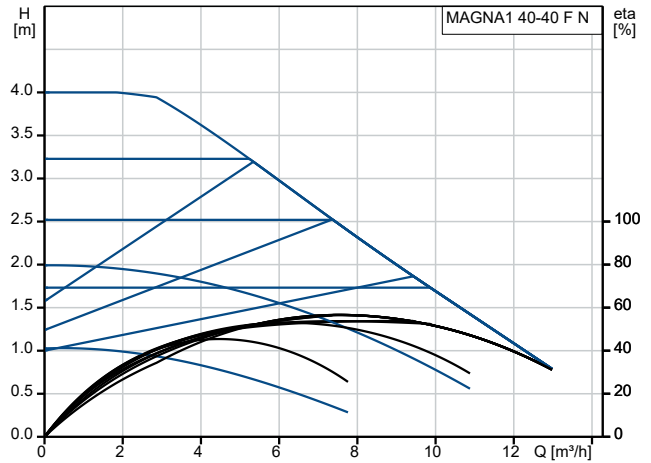
### 99221299 MAGNA1 40-40 F N



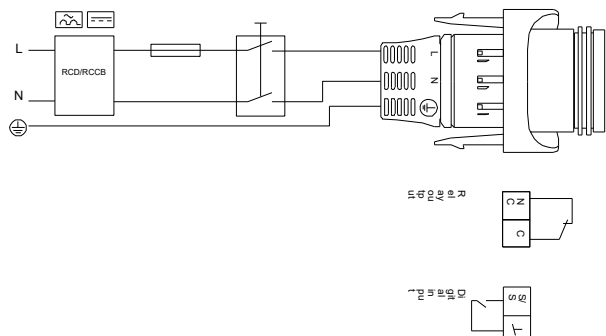
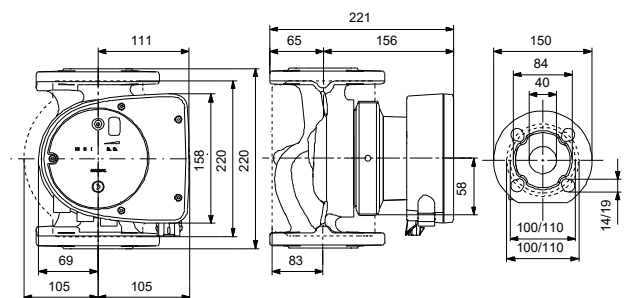
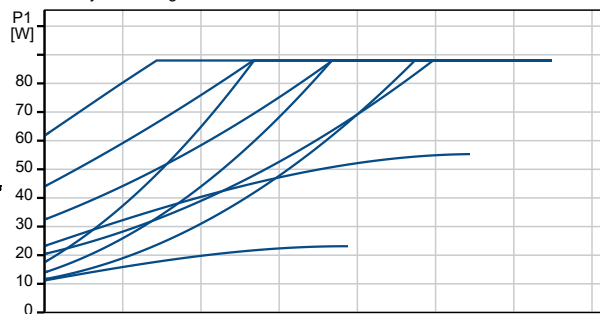
**Project:**  
**Reference Number:**

**Client:**  
**Client Number:**  
**Contact:**

Description	Value
<b>General information:</b>	
Product name:	MAGNA1 40-40 F N
Product No:	99221299
EAN number:	5712608942723
<b>Technical:</b>	
Maximum head:	40 dm
TF class:	110
Approvals:	CE,VDE,EAC,MOROCCO,UKCA, TSE,RCM,UkrSEPRO
Approvals for drinking water:	WRAS, ACS, UBA
Model:	C
<b>Materials:</b>	
Pump housing:	Stainless steel
Pump housing:	EN 1.4308
Pump housing:	ASTM A351-CF8
Impeller:	Composite
<b>Installation:</b>	
Range of ambient temperature:	0 .. 40 °C
Maximum operating pressure:	10 bar
Type of connection:	DIN
Size of connection:	DN 40
Pressure rating for connection:	PN 6/10
Port-to-port length:	220 mm
<b>Liquid:</b>	
Pumped liquid:	Water
Liquid temperature range:	-10 .. 110 °C
Selected liquid temperature:	60 °C
Density:	983.2 kg/m <sup>3</sup>
<b>Electrical data:</b>	
Maximum power input - P1:	90 W
P1 min.:	12 W
Mains frequency:	50 / 60 Hz
Rated voltage:	1 x 230 V
Minimum current consumption:	0.11 A
Maximum current consumption:	0.72 A
Enclosure class (IEC 34-5):	X4D
Insulation class (IEC 85):	F
<b>Others:</b>	
Energy (EEL):	0.20
Net weight:	9.73 kg
Gross weight:	10.6 kg
Shipping volume:	0.016 m <sup>3</sup>
Country of origin:	DE
Custom tariff no.:	84137030
Environmental approvals:	CN ROHS,WEEE



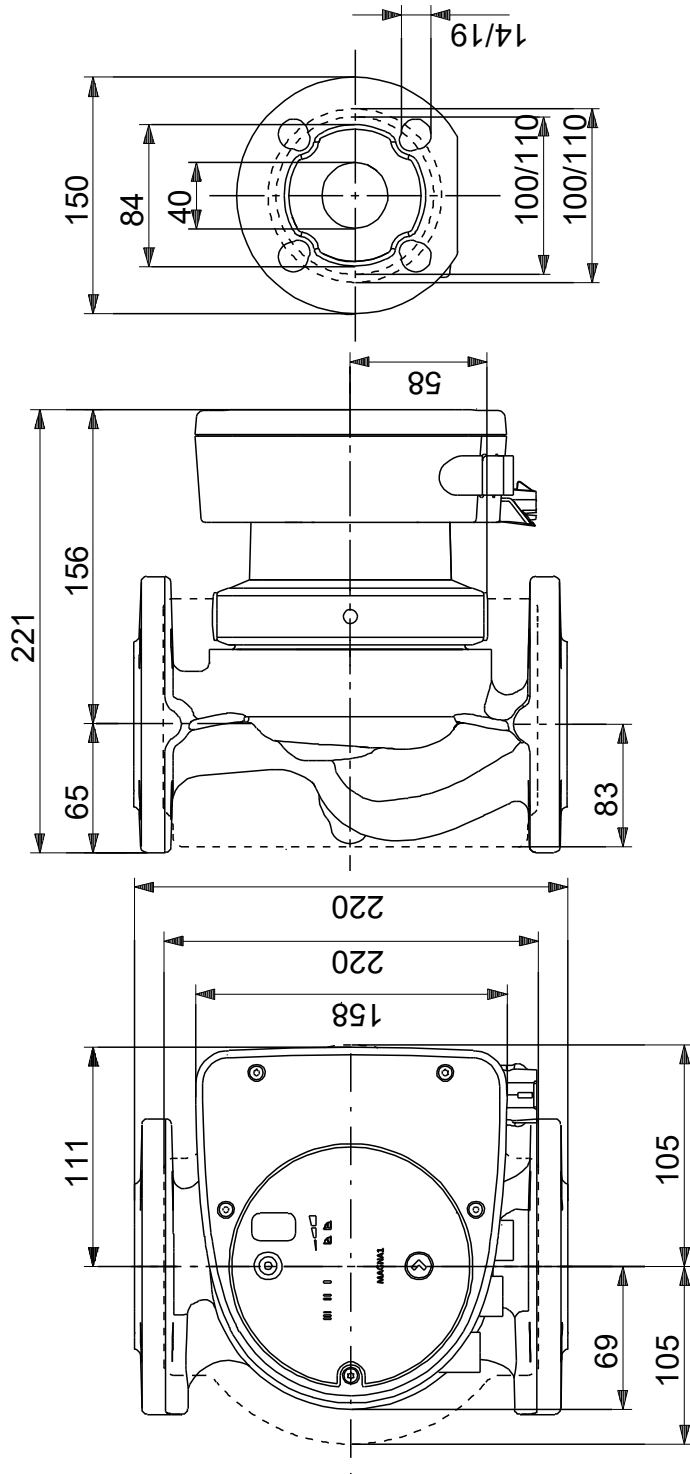
Pumped liquid = Water  
 Liquid temperature during operation = 60 °C  
 Density = 983.2 kg/m<sup>3</sup>



**Project:**  
**Reference Number:**

**Client:**  
**Client Number:**  
**Contact:**

## 99221299 MAGNA1 40-40 F N



Note! All units are in [mm] unless others are stated.  
 Disclaimer: This simplified dimensional drawing does not show all details.