



Wilo-Economy-MHI 2../4../8../16..

- | | | | |
|------------|---|------------|--------------------------------------|
| D | Einbau- und Betriebsanleitung | CZ | Návod k montáži a obsluze |
| GB | Installation and operating instructions | PL | Instrukcja montażu i obsługi |
| F | Notice de montage et de mise en service | RUS | Инструкция по монтажу и эксплуатации |
| NL | Inbouw- en bedieningsvoorschriften | DK | Monterings- og driftsvejledning |
| E | Instrucciones de instalación y funcionamiento | NO | Monterings- og driftsveiledningen |
| I | Istruzioni di montaggio, uso e manutenzione | | |
| FIN | Huolto- ja käyttöohje | | |
| S | Monterings- och skötselinstruktioner | | |
| H | Beépítési és üzemeltetési utasítás | | |
| GR | Οδηγίες εγκατάστασης και λειτουργίας | | |

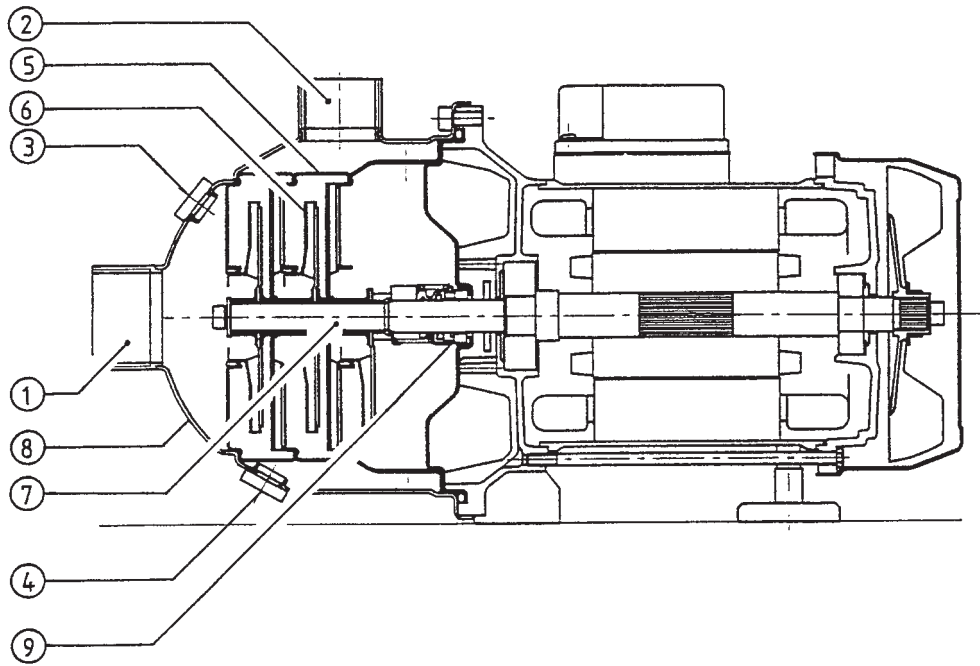


Fig. 1

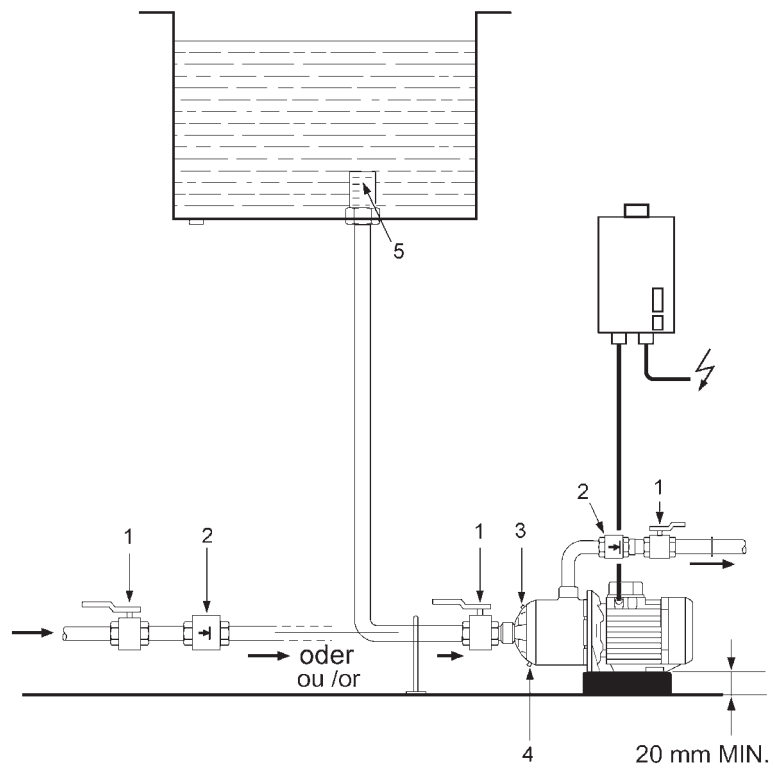


Fig. 2

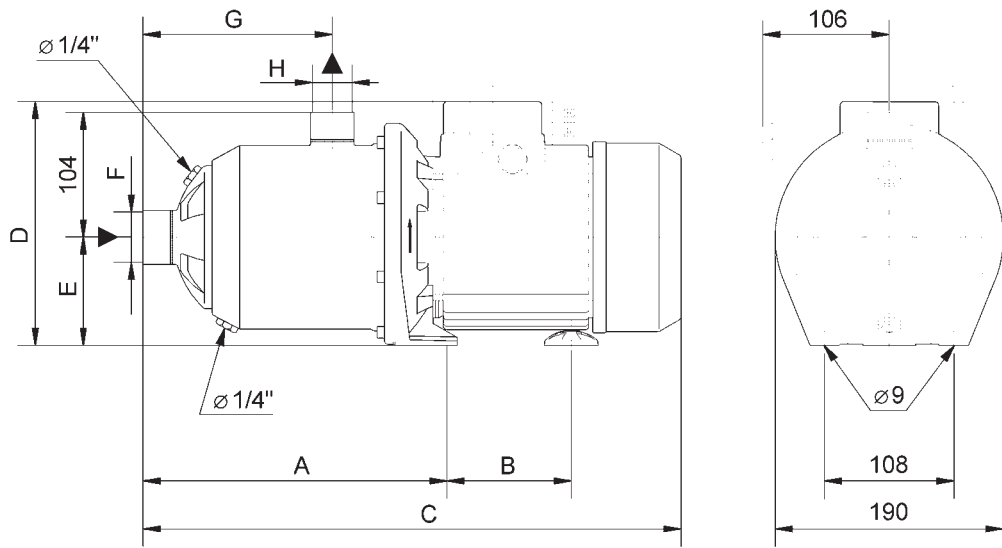


Fig. 3

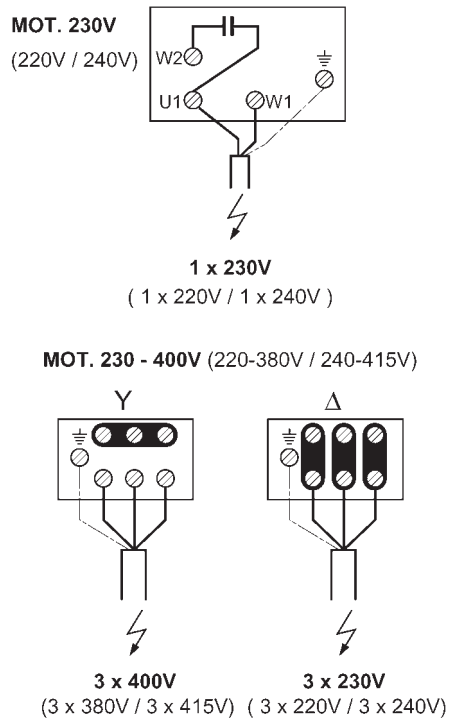


Fig. 4

1. General

Installation and service by qualified personnel only

1.1 Applications

The pump is suitable for drinking water, heating water, industrial water, condensate, water/glycol mixtures up to a ratio of 40% glycol as well as other liquids free from mineral oil and without abrasives or long-fibred substances.

The main areas of use are in water supply installations, as a booster pump, as a boiler feed pump, in industrial circulation systems, in process technology, in cooling water systems, in fire extinguishers and in washing and sprinkler installations.

Approval from the manufacturer must be obtained beforehand if corrosive chemicals are to be pumped.

1.2 Technical description

1.2.1 Performance and electrical data

AC voltage: 1 ~ 230 V (± 10 %) / 50Hz or
 Rotary current voltage: 3 ~ 230 / 400 V (± 10 %) / 50 Hz;

Motor power: see rating plate,
 Maximum current: see rating plate,
 Fluid temperature: -15 °C to 110 °C
 with gaskets – EPDM
 (KTW/WRAS),
 -15 °C to 80 °C version with
 with gaskets – VITON

Max. permissible working pressure: 10 bar,
 Max. permissible inlet pressure: 6 bar,
 Max. ambient temperature: 40 °C,
 Protective system: IP 54.
 Other voltages/frequencies and material properties are optional and/or available on request.

When pumping viscous fluids (e.g. water/glycol mixtures) adjust the pump data to allow for the higher viscosity.

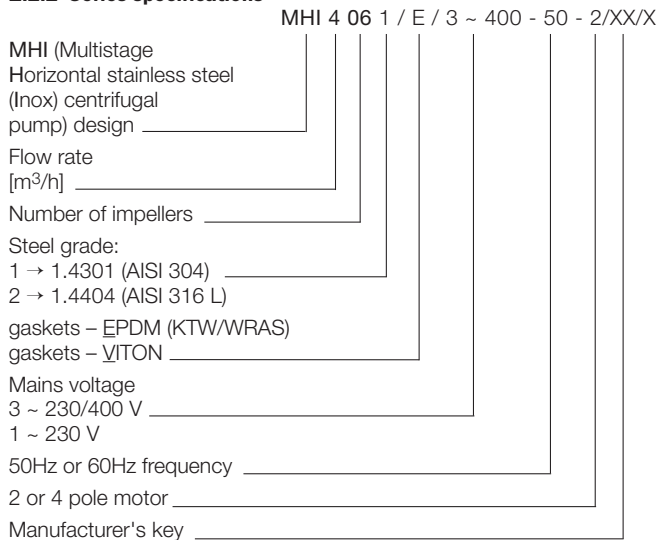
Only use branded glycol mixtures with corrosion inhibitors and follow the manufacturers instructions.

For dimensions see table and Fig. 3.

Pump	Pump unit											
Model	Dimensions											
	A	B		C		D		E		F	G	H
		1~230 V	3~400 V	1~230 V	3~400 V	1~230 V	3~400 V	1~230 V	3~400 V			
MHI	mm											
202	205	88	88	375	375	216	192	90	90	Rp1	110	Rp1
203	205	88	88	375	375	216	192	90	90	Rp1	110	Rp1
204	253	88	88	423	423	216	192	90	90	Rp1	158	Rp1
205	253	88	88	423	423	216	192	90	90	Rp1	158	Rp1
206	277	104	104	472	472	224	206	90	90	Rp1	182	Rp1
402	205	88	88	375	375	216	192	90	90	Rp1 ^{1/4}	110	Rp1
403	205	88	88	375	375	216	192	90	90	Rp1 ^{1/4}	110	Rp1
404	253	88	88	423	423	216	192	90	90	Rp1 ^{1/4}	158	Rp1
405	253	104	104	448	448	224	206	90	90	Rp1 ^{1/4}	158	Rp1
406	277	137	104	511	472	239	206	100	90	Rp1 ^{1/4}	182	Rp1
802	217	88	88	387	387	216	192	90	90	Rp1 ^{1/2}	122	Rp1 ^{1/4}
803	217	104	88	412	387	224	192	90	90	Rp1 ^{1/2}	122	Rp1 ^{1/4}
804	277	104	104	472	472	224	206	90	90	Rp1 ^{1/2}	182	Rp1 ^{1/4}
805	277	-	104	-	472	-	206	-	90	Rp1 ^{1/2}	182	Rp1 ^{1/4}
1602	237	-	103,5	-	432	-	206	-	90	Rp2	138	Rp1 ^{1/2}
1603	237	-	103,5	-	432	-	206	-	90	Rp2	138	Rp1 ^{1/2}
1604	282	-	136,5	-	515	-	221	-	100	Rp2	183	Rp1 ^{1/2}

When ordering spare parts, please give all the information on the rating plate.

1.2.2 Series specifications



2. Safety precautions

These instructions contain important information which must be followed when installing and operating the pump. It is therefore imperative that they be read by both the installer and the operator before the pump is installed or started up. Both the general safety instructions in the 'Safety precautions' section and those in subsequent sections indicated by danger symbols should be carefully observed.

2.1 Danger symbols used in these operating instructions

Safety precautions in these operating instructions which, if not followed, could cause personal injury are indicated by the symbol:



Safety precautions warning of danger due to electricity are indicated by the symbol:



Safety precautions which, if not followed, could damage the pump or installation and cause it to malfunction are indicated by the word:

WARNING!

2.2 Qualified Personnel

The personnel installing the pump must have the appropriate qualifications for this work.

2.3 Risks incurred by failure to comply with the safety precautions

Failure to comply with the safety precautions could result in personal injury or damage to the pump or installation. Failure to comply with the safety precautions could also invalidate any claim for damages.

In particular, failure to comply with these safety precautions could give rise, for example, to the following risks:

- the failure of important parts of the pump or installation,
- personal injury due to electrical and mechanical causes.

2.4 Safety precautions for the operator

Existing regulations for the prevention of accidents must be followed. To prevent the risk of electric shock or electrocution, VDE regulations and those of the local supply company must be followed.

2.5 Safety precautions for inspection and installation

The operator must ensure that all inspection and installation work is carried out by authorized and qualified specialists who have carefully studied these instructions. In principle, work should not be carried out on a running pump or installation.

2.6 Unauthorized alterations and manufacture of spare parts

Alterations to the pump or installation may only be carried out with the manufacturer's consent. The use of original spare parts and accessories authorized by the manufacturer will ensure safety. The use of other parts may invalidate claims invoking the manufacturer's liability for any consequences.

2.7 Improper use

The operational safety of the pump or installation supplied can only be guaranteed if it is used in accordance with paragraph 1 of the operating instructions. The limits given in the catalogue or data sheet must under no circumstances be exceeded.

3. Transport and storage

WARNING!

During transport and in storage the pump must be protected against moisture, frost and mechanical damage.

4. Description of product and accessories

4.1 Pump description (Fig. 1)

The pump is a multistage (2-6 stage) normal suction, horizontal high pressure centrifugal pump with a block design with horizontal inlet (1) and vertical pressure glands (2).

The hydraulic section is equipped with the given number of stage housings (5) and impellers (6) in a modular construction. The impellers are fitted on a single motor-pump shaft (7). The pressure casing (8) surrounding the hydraulic section guarantees a fail-safe seal. All parts in contact with the fluid, such as stage chambers, impellers and the pressure casing, are made of chromium nickel steel. The shaft hole through the pump casing is sealed to the motor with an axial face seal (9). E = All parts in contact with the fluid have been cleared by KTW and/or WRAS and are therefore suitable for use with drinking water.

The AC motors are equipped with a thermal cut-out. This switches off the motor when the permissible temperature of the motor coil is exceeded and switches it back on again automatically once it has cooled down.

Low-water protection. The pump and in particular the axial face seal must not run dry. Low-water protection should be provided by the customer by fitting the relevant parts from the WILO range of accessories.

The speed of the pump can be controlled when connected to a frequency converter or motor filter (see paragraph 5.3)

4.2 Components supplied

- EM or DM version of pump,
- Installation and Operating Instructions

4.3 Accessories

Accessories must be ordered separately.

- WV/COL switching unit with relevant accessories for automation,
- CO-ER switching unit with relevant accessories for automation,
- Low-water protection:
 - WMS kit for direct connection to the supply pipe,
 - WAEK 65 float switch with small switching unit (only for EM version),
 - WA 65 float switch,
 - SK 277 with 3 dipped electrodes,
- WVA pressure switch,
- WILO fluid control (EK),
- Installation switching:
 - WA 065 float switch
 - WA OEK 65 float switch with small switching unit (only for EM version).

5. Assembly and Installation

5.1 Installation

Fig. 2 shows a typical pump installation. Installation and assembly instructions, which must be observed with this type of operation, are listed as follows:

- Before installing the pump, make sure that all welding and soldering on the pipe system has been completed and that the pipe system has been completely flushed out. Foreign bodies and dirt will damage the pump.
- Install the pump in a dry place free of frost.
- Leave room for maintenance work to be carried out.
- The motor ventilator inlet must be kept clear, at least 0.30 m from the wall to the rear.
- Install in a horizontal and flat position.
- The pump must be held in place with two 8 mm diameter screws, on a vibration-absorbing base. Commercially available rubber-metal connectors can also be used to hold it in place and absorb vibrations.
- To ensure that the drain valve can be accessed, the pump must be installed with the drain valve at least 20 mm above the floor.
- Isolating valves (1) should be installed in front of and behind the pump, so that the pump can be easily changed and/or maintenance work can be carried out more easily.
- A backflow preventer (2) should be installed immediately behind the outlet pressure gland of the pump.
- The inlet and outlet pipes should be connected to the pump without stress. Flexible lengths of pipe or bellow expansion joints of restricted length can be used to ensure a low-vibration connection. The weight of the pipework must be supported.
- The customer should take suitable measures to prevent low water levels and hence guard against the pump running dry in order to protect the axial face seal. The WILO range comprises various accessories which can be used for this purpose.
- The customer should protect the pump at the inlet pipe with a strainer (1mm mesh) or filter connection (5) to avoid the pipe being damaged by any dirt which may be sucked in.

5.2 Electrical installation



- Electrical work must be carried out by a qualified and licensed electrician in strict compliance with local regulations.

- The electricity supply must be connected via a rigid supply cable fitted with a coupler or an all-pole switch with a contact gap of at least 3 mm in accordance with the local regulations in force (e.g. in accordance with the latest edition of IEE wiring regulations).
- Check the mains current and voltage.
- Ensure compliance with the data on the pump rating plate.
- Make sure the pump is earthed.
- Mains fuse: 10A time-lag fuse.
- The customer should fit rotary current motors with a motor safety switch which should be adjusted to the nominal current given on the rating plate to prevent the motor from overheating. AC motors are fitted with a thermal motor cut-out in the factory. This cuts off the pump when the permissible temperature of the motor coil is exceeded and switches it back on again automatically once it has cooled down.
- A supply cable with an adequate ample external diameter (e.g. 05 VV-F 3/5 G 1.5 or AVMH-I 3/5x1.5) should be used to protect against damp and to secure the mains lead cleat of the stuffing box.
- Connection to the mains must be carried out in accordance with the plan of terminal connections for rotary or alternating current in the terminal box of the pump (see also Fig. 4).
- Heat-resistant cable must be used if the pump is fitted in installations in which the temperature of the fluids pumped exceeds 90 °C.
- The supply cable must be laid in such a way that it never touches the pipework and/or the pump and motor casing.



If necessary a fault current breaker (FI-switch) should be provided.

5.3 Operation with frequency converter

The speed of the pump can be controlled when connected to a frequency converter. Speed control limits: $40\%n_{nom} \leq n \leq 100\%n_{nom}$. See Installation and Operating Instructions of the frequency converter for connection and operation.

To avoid overloading the motor coil to the extent that it is damaged and to avoid increasing noise levels, the frequency converter must not produce speeds due to increased voltage of over 500 V/μs and spikes of $\hat{u} > 650$ V. If such speeds due to increased voltage are possible, an LC filter (motor filter) should be installed between the frequency converter and the motor. The layout of the filter must be designed by the manufacturer of the frequency converter or filter.

In control devices with frequency converters supplied by WILO, the filter is already installed.

6. Commissioning

- Check that there is a sufficient level of water in the reservoir and/or check the inlet pressure.

WARNING!

The pump must not run dry, as this would destroy the axial face seal.

- When used for the first time, if it is to be used to pump drinking water the system must be flushed through, so that any dirty water present will not contaminate the drinking water supply.
- Checking direction of rotation (only for rotary current motors): Check that the pump rotates in the direction indicated by the arrow on the pump casing by switching on for a short time. If this is not the case, interchange 2 phases in the pump terminal box.
- Only for rotary current motors: Adjust the motor cut-out to the nominal current given on the rating plate.
- If available, position float switches or electrodes for protection against low water levels in such a way that the pump cuts out if the water level is so low that air would begin to be sucked in.
- Open the isolating valve at the inlet, open the vent screw (Figs 1 & 2, 3, SW 19) until the pumped fluid comes out, close the vent screw, open the isolating valve at the outlet and switch on the pump.



- Depending on the fluid temperature and the system pressure, if the vent screw is completely loosened hot liquid or gas can escape or even shoot out at high pressure.

Beware of scalding.



- Depending on the operating conditions of the pump or installation (fluid temperature), the entire pump may become very hot.

Avoid touching the pipe owing to the risk of burning.

WARNING!

The pump must not run for longer than 10 minutes with a flow rate of $Q = 0$ m³/h. We recommend that when running continuously the pump should be kept at a minimal flow of 10 % nominal flow.

7. Maintenance

- The pump is almost maintenance free.
- During the running-in period, there may be some dripping from the axial face seal. Should a more significant leak occur as a result of substantial wear, have the axial face seal replaced by a specialist.
- Increased bearing noise and unusual vibrations indicate a worn bearing. In this case, have the bearing replaced by a specialist.
- Before carrying out any maintenance work, switch off the pump and ensure that it cannot be switched on again by unauthorized people. Never carry out work on a running pump.
- When the pump is exposed to frost or is out of service for a long period, the pump and pipework must be emptied in the cold season. Empty the pump by releasing the drain valve (Figs 1 & 2, 4), the inlet pipe by releasing the vent screw, and the outlet pipe by opening the bleeding point.

8. Fault finding, causes and remedies

Fault	Cause	Remedy
Pump does not run	no power	check fuses, float switches and cables
	motor safety switch activated	eliminate motor overload
Pump runs but does not pump	wrong direction of rotation	interchange two phases of the mains connection
	pipe or pump components blocked by foreign body	check and clean pipe and pump
	air in inlet pressure gland	seal inlet pressure gland
	inlet pipe too narrow	fit a larger inlet pipe
Pump does not pump evenly	inlet too high	position the pump lower
Pressure is insufficient	wrong choice of pump	fit a more powerful pump
	wrong direction of rotation	interchange two phases of the mains connection
	flow is too small, inlet pipe blocked	clean filter and inlet pipe
	valve not sufficiently open	open valve
	foreign body blocking the pump	clean the pump
Pump vibrates	foreign body in the pump	remove foreign body
	pump not properly fixed to the base	tighten anchor bolts
	base is not sufficiently heavy	fit a heavier base
Motor overheats, motor cut-out activates	insufficient voltage	check voltage
	pump sluggish: foreign body bearing damaged	clean pump have pump repaired by customer services
	ambient temperature too high	provide cooling

If the fault cannot be remedied, please contact your local plumbing and heating specialist or WILO customer services.

Figures:

1. Cross-section of the pump with reference numbers.
2. Positioning and pipework of the pump.
3. Drawing showing dimensions.
4. Plan of electrical connections.

Subject to technical alterations.w

D **EG – Konformitätserklärung**
GB **EC – Declaration of conformity**
F **Déclaration de conformité CE**

(gemäß Anhang/according annex/ conforme appendice 1A, 2006/42/EG)

Hiermit erklären wir, dass die Bauart der Baureihe :
Herewith, we declare that the product type of the series:
Par le présent, nous déclarons que l'agrégat de la série :

MHI

in der gelieferten Ausführung folgenden einschlägigen Bestimmungen entspricht:
in its delivered state complies with the following relevant provisions:
est conforme aux dispositions suivantes dont il relève:

EG-Maschinenrichtlinie
EC-Machinery directive
Directives CE relatives aux machines

98/37/EG
(gültig bis / valid up to /
valide jusqu'à 28.12.2009)

Niederspannungsrichtlinie
Low Voltage directive
Directive basse-tension

2006/95/EG
(gültig bis / valid up to /
valide jusqu'à 28.12.2009)

EG-Maschinenrichtlinie
EC-Machinery directive
Directives CE relatives aux machines

2006/42/EG
(gültig ab / valid from /
valide de 29.12.2009)

Die Schutzziele der Niederspannungsrichtlinie werden gemäß Anhang I, Nr. 1.5.1 der Maschinenrichtlinie 2006/42/EG eingehalten.
The protection objectives of the low-voltage directive are realized according annex I, No. 1.5.1 of the EC-Machinery directive 2006/42/EC.
Les objectifs protection de la directive basse-tension sont respectées conformément à appendice I, n° 1.5.1 de la directive CE relatives aux machines 2006/42/CE.

Elektromagnetische Verträglichkeit - Richtlinie
Electromagnetic compatibility - directive
Compatibilité électromagnétique- directive

2004/108/EG

Angewendete harmonisierte Normen, insbesondere:
Applied harmonized standards, in particular:
Normes harmonisées, notamment:

EN 809
EN 60034-1
EN 60204-1

Bei einer mit uns nicht abgestimmten technischen Änderung der oben genannten Bauarten, verliert diese Erklärung ihre Gültigkeit.
If the above mentioned series are technically modified without our approval, this declaration shall no longer be applicable.
Si les gammes mentionnées ci-dessus sont modifiées sans notre approbation, cette déclaration perdra sa validité.

Bevollmächtigter für die Zusammenstellung der technischen Unterlagen ist:
Authorized representative for the completion of the technical documentation:
Mandataire pour le complément de la documentation technique est :

Cyrille Cornilleau
Pompes Salmson S.A. - Laval
80 Bd de l'Industrie
BP 0527
F-53005 Laval Cédex

Dortmund, 26.11.2009


Oliver Breuing
Quality Manager



WILO SE
Nortkirchenstraße 100
44263 Dortmund
Germany

NL
EG-verklaring van overeenstemming
Hiermede verklaren wij dat dit aggregaat in de geleverde uitvoering voldoet aan de volgende bepalingen:
EG-richtlijnen betreffende machines 2006/42/EG
De veiligheidsdoelstellingen van de laagspanningsrichtlijn worden overeenkomstig bijlage I, nr. 1.5.1 van de machinerichtlijn 2006/42/EG aangehouden.
Elektromagnetische compatibiliteit 2004/108/EG
gebruikte geharmoniseerde normen, in het bijzonder:
zie vorige pagina

P
Declaração de Conformidade CE
Pela presente, declaramos que esta unidade no seu estado original, está conforme os seguintes requisitos:
Directivas CEE relativas a máquinas 2006/42/EG
Os objectivos de protecção da directiva de baixa tensão são cumpridos de acordo com o anexo I, nº 1.5.1 da directiva de máquinas 2006/42/CE.
Compatibilidade electromagnética 2004/108/EG
normas harmonizadas aplicadas, especialmente:
ver página anterior

FIN
CE-standardinmukaususseloste
Ilmoitamme täten, että tämä laite vastaa seuraavalla asiaankuuluvia määräyksiä:
EU-konedirektiivit: 2006/42/EG
Pienjännitedirektiivin suojatavoitteita noudatetaan konedirektiivin 2006/42/EY liitteen I, nro 1.5.1 mukaisesti.
Sähkömagneettinen soveltuvuus 2004/108/EG
käytetyt yhteensovitetut standardit, erityisesti:
katso edellinen sivu.

CZ
Prohlášení o shodě ES
Prohlašujeme tímto, že tento agregát v dodaném provedení odpovídá následujícím příslušným ustanovením:
Směrnice ES pro strojní zařízení 2006/42/ES
Cíle týkající se bezpečnosti stanovené ve směrnice o elektrických zařízeních nízkého napětí jsou dodrženy podle přílohy I, č. 1.5.1 směrnice o strojních zařízeních 2006/42/ES.
Směrnice o elektromagnetické kompatibilitě 2004/108/ES
použité harmonizační normy, zejména:
viz předchozí strana

GR
Δήλωση συμμόρφωσης της ΕΕ
Δηλώνουμε ότι το προϊόν αυτό ο' αυτή την κατάσταση παράδοσης ικανοποιεί τις ακόλουθες διατάξεις:
Οδηγίες ΕΚ για μηχανήματα 2006/42/ΕΚ
Οι απαιτήσεις προστασίας της οδηγίας χαμηλής τάσης τηρούνται σύμφωνα με το παράρτημα Ι, αρ. 1.5.1 της οδηγίας σχετικά με τα μηχανήματα 2006/42/ΕΓ.
Ηλεκτρομαγνητική συμβατότητα ΕΚ-2004/108/ΕΚ
Εναρμονισμένα χρησιμοποιούμενα πρότυπα, ιδιαίτερα:
βλέπε προηγούμενη σελίδα

EST
EÜ vastavusdeklaratsioon
Käesolevaga tõendame, et see toode vastab järgmistele asjakohastele direktiividele:
Masinadirektiiv 2006/42/EÜ
Madalpingedirektiivi kaitses-eesmärgid on täidetud vastavalt masinate direktiivi 2006/42/EÜ I lisa punktile 1.5.1.
Elektromagnetilise ühilduvuse direktiiv 2004/108/EÜ
kohaldatud harmoneeritud standardid, eriti:
vt eelmist lk

SK
ES vyhlásenie o zhode
Týmto vyhlasujeme, že konštrukcie tejto konštrukčnej série v dodanom vyhotovení vyhovujú nasledujúcim príslušným ustanoveniam:
Stroje - smernica 2006/42/ES
Bezpečnostné ciele smernice o nízkom napätí sú dodržiavané v zmysle prílohy I, č. 1.5.1 smernice o strojových zariadeniach 2006/42/ES.
Elektromagnetická zhoda - smernica 2004/108/ES
používané harmonizované normy, najmä:
pozri predchádzajúcu stranu

M
Dikjarazzjoni ta' konformità KE
B'dan il-mezz, niddikjaraw li l-prodotti tas-serje jissodisfaw id-dispożizzjonijiet relevanti li ġejjin:
Makkinarju - Direttiva 2006/42/KE
L-oġġettivi tas-sigurtà tad-Direttiva dwar il-Vultaġġ Baxx huma konformi mal-Anness I, Nru 1.5.1 tad-Direttiva dwar il-Makkinarju 2006/42/KE.
Kompatibilità elettromagnetika - Direttiva 2004/108/KE
kif ukoll standards armonizzati b'mod partikolari:
ara l-paġna ta' qabel

I
Dichiarazione di conformità CE
Con la presente si dichiara che i presenti prodotti sono conformi alle seguenti disposizioni e direttive rilevanti:
Direttiva macchine 2006/42/EG
Gli obiettivi di protezione della direttiva macchine vengono rispettati secondo allegato I, n. 1.5.1 dalla direttiva macchine 2006/42/CE.
Compatibilità elettromagnetica 2004/108/EG
norme armonizzate applicate, in particolare:
vedi pagina precedente

S
CE- försäkrän
Härmed förklarar vi att denna maskin i levererat utförande motsvarar följande tillämpliga bestämmelser:
EG-Maskindirektiv 2006/42/EG
Produkten uppfyller säkerhetsmålen i lågspänningsdirektivet enligt bilaga I, nr. 1.5.1 i maskindirektiv 2006/42/EG.
EG-Elektromagnetisk kompatibilitet - riktlinje 2004/108/EG
tillämpade harmoniserade normer, i synnerhet:
se föregående sida

DK
EF-overensstemmelseserklæring
Vi erklærer hermed, at denne enhed ved levering overholder følgende relevante bestemmelser:
EU-maskindirektiver 2006/42/EG
Lavspændingsdirektivets mål om beskyttelse overholdes i henhold til bilag I, nr. 1.5.1 i maskindirektivet 2006/42/EF.
Elektromagnetisk kompatibilitet: 2004/108/EG
anvendte harmoniserede standarder, særligt:
se forrige side

PL
Deklaracja Zgodności WE
Niniejszym deklarujemy z pełną odpowiedzialnością, że dostarczony wyrób jest zgodny z następującymi dokumentami:
dyrektywa maszynowa WE 2006/42/WE
Przestrzegane są cele ochrony dyrektywy niskonapięciowej zgodnie z załącznikiem I, nr. 1.5.1 dyrektywy maszynowej 2006/42/WE.
dyrektywą dot. kompatybilności elektromagnetycznej 2004/108/WE
stosowanymi normami zharmonizowanymi, a w szczególności:
patrz poprzednia strona

TR
CE Uygunluk Teyid Belgesi
Bu cihazın teslim edildiği şekliyle aşağıdaki standartlara uygun olduğunu teyid ederiz:
AB-Makina Standartları 2006/42/EG
Açık genilim yönetiminin koruma hedefleri, 2006/42/AT makine yönetisi EK I, no. 1.5.1'e uygundur.
Elektromanyetik Uyumluluk 2004/108/EG
kimsen kullanılan standartlar için:
bkz. bir önceki sayfa

LV
EC - atbilstības deklarācija
Ar šo mēs apliecinām, ka šis izstrādājums atbilst sekojošiem noteikumiem:
Mašīnu direktīva 2006/42/EK
Zemsprieguma direktīvas drošības mērķi tiek ievēroti atbilstoši Mašīnu direktīvas 2006/42/EK pielikumam I, Nr. 1.5.1.
Elektromagnētiskās savietojamības direktīva 2004/108/EK
piemēroti harmonizēti standarti, tai skaitā:
skatīt iepriekšējo lappusi

SLO
ES - izjava o skladnosti
Izjavljamo, da dobavljene vrste izvedbe te serije ustrezajo sledečim zadevnim določilom:
Direktiva o strojih 2006/42/ES
Cilji Direktive o niskonapetostni opremi so v skladu s prilogo I, št. 1.5.1 Direktive o strojih 2006/42/EG doseženi.
Direktiva o elektromagnetni združljivosti 2004/108/ES
uporabljeni harmonizirani standardi, predvsem:
glejte prejšnjo stran

E
Declaración de conformidad CE
Por la presente declaramos la conformidad del producto en su estado de suministro con las disposiciones pertinentes siguientes:
Directiva sobre máquinas 2006/42/EG
Se cumplen los objetivos en materia de seguridad establecidos en la Directiva de Baja tensión según lo especificado en el Anexo I, punto 1.5.1 de la Directiva de Máquinas 2006/42/CE.
Directiva sobre compatibilidad electromagnética 2004/108/EG
normas armonizadas adoptadas, especialmente:
véase página anterior

N
EU-Overensstemmelseserklæring
Vi erklærer hermed at denne enheten i utførelse som levert er i overensstemmelse med følgende relevante bestemmelser:
EG-Maskindirektiv 2006/42/EG
Lavspenningsdirektivets verne mål overholdes i samsvar med vedlegg I, nr. 1.5.1 i maskindirektiv 2006/42/EF.
EG-EMV-Elektromagnetisk kompatibilitet 2004/108/EG
anvendte harmoniserte standarder, særlig:
se forrige side

H
EK-megfelelősségi nyilatkozat
Ezzel kijelentjük, hogy az berendezés megfelel az alábbi irányelveknek:
Gépek irányelv: 2006/42/EK
A kisfeszültségű irányelv védelmi előírásait a 2006/42/EK gépekre vonatkozó irányelv I. függelékének 1.5.1. sz. pontja szerint teljesíti.
Elektromágneses összeférhetőség irányelv: 2004/108/EK
alkalmazott harmonizált szabványoknak, különösen:
lásd az előző oldalt

RUS
Декларация о соответствии Европейским нормам
Настоящим документом заявляем, что данный агрегат в его объеме поставки соответствует следующим нормативным документам:
Директивы ЕС в отношении машин 2006/42/EG
Требования по безопасности, изложенные в директиве по низковольтному напряжению, соблюдаются согласно приложению I, № 1.5.1 директивы в отношении машин 2006/42/EG.
Электромагнитная устойчивость 2004/108/EG
Используемые согласованные стандарты и нормы, в частности:
см. предыдущую страницу

RO
EC-Declarație de conformitate
Prin prezenta declarăm că acest produs așa cum este livrat, corespunde cu următoarele prevederi aplicabile:
Directiva CE pentru mașini 2006/42/EG
Sunt respectate obiectivele de protecție din directiva privind joasa tensiune conform Anexei I, Nr. 1.5.1 din directiva privind mașinile 2006/42/CE.
Compatibilitatea electromagnetică - directiva 2004/108/EG
standarde armonizate aplicate, îndeosebi:
vezi pagina precedentă

LT
EB atitikties deklaracija
Šiuo pažymima, kad šis gaminyas atitinka šias normas ir direktyvas:
Mašinų direktyvą 2006/42/EB
Laikomasi Žemos įtampos direktyvos keliamų saugos reikalavimų pagal Mašinų direktyvos 2006/42/EB I priedo 1.5.1 punktą.
Elektromagnetinio suderinamumo direktyvą 2004/108/EB
pritaikytus vieningus standartus, o būtent:
žr. ankstesniame puslapyje

BG
EO-Декларация за съответствие
Декларираме, че продуктът отговаря на следните изисквания:
Машина директива 2006/42/EO
Целите за защита на разпоредбата за ниско напрежение са съставени съгласно. Приложение I, № 1.5.1 от Директивата за машини 2006/42/ЕС.
Електромагнитна съвместимост - директива 2004/108/EO
Хармонизирани стандарти:
вж. предната страница



WILO SE
Nortkirchenstraße 100
44263 Dortmund
Germany



WILO SE
Nortkirchenstraße 100
44263 Dortmund
Germany
T 0231 4102-0
F 0231 4102-7363
wilo@wilo.com
www.wilo.de

Wilo-Vertriebsbüros in Deutschland

G1 Nord

WILO SE
Vertriebsbüro Hamburg
Beim Strohhouse 27
20097 Hamburg
T 040 5559490
F 040 55594949
hamburg.anfragen@wilo.com

G3 Ost

WILO SE
Vertriebsbüro Dresden
Frankenring 8
01723 Kesselsdorf
T 035204 7050
F 035204 70570
dresden.anfragen@wilo.com

G5 Süd-West

WILO SE
Vertriebsbüro Stuttgart
Hertichstraße 10
71229 Leonberg
T 07152 94710
F 07152 947141
stuttgart.anfragen@wilo.com

G7 West

WILO SE
Vertriebsbüro Düsseldorf
Westring 19
40721 Hilden
T 02103 90920
F 02103 909215
duesseldorf.anfragen@wilo.com

G2 Nord-Ost

WILO SE
Vertriebsbüro Berlin
Juliusstraße 52-53
12051 Berlin-Neukölln
T 030 6289370
F 030 62893770
berlin.anfragen@wilo.com

G4 Süd-Ost

WILO SE
Vertriebsbüro München
Adams-Lehmann-Straße 44
80797 München
T 089 4200090
F 089 42000944
muenchen.anfragen@wilo.com

G6 Mitte

WILO SE
Vertriebsbüro Frankfurt
An den drei Hasen 31
61440 Oberursel/Ts.
T 06171 70460
F 06171 704665
frankfurt.anfragen@wilo.com

Kompetenz-Team Gebäudetechnik

WILO SE
Nortkirchenstraße 100
44263 Dortmund
T 0231 4102-7516
T 01805 R-U-F-W-I-L-O*
7-8-3-9-4-5-6
F 0231 4102-7666

Erreichbar Mo-Fr von 7-18 Uhr.

- Antworten auf
 - Produkt- und Anwendungsfragen
 - Liefertermine und Lieferzeiten
- Informationen über Ansprechpartner vor Ort
- Versand von Informationsunterlagen

Kompetenz-Team Kommune Bau + Bergbau

WILO EMU GmbH
Heimgartenstraße 1
95030 Hof
T 09281 974-550
F 09281 974-551

Werkskundendienst Gebäudetechnik Kommune Bau + Bergbau Industrie

WILO SE
Nortkirchenstraße 100
44263 Dortmund
T 0231 4102-7900
T 01805 W-I-L-O-K-D*
9-4-5-6-5-3
F 0231 4102-7126
kundendienst@wilo.com

Erreichbar Mo-So von
7-18 Uhr.
In Notfällen täglich
auch von
18-7 Uhr.

- Kundendienst-Anforderung
- Werksreparaturen
- Ersatzteilfragen
- Inbetriebnahme
- Inspektion
- Technische Service-Beratung
- Qualitätsanalyse

Wilo-International

Österreich

Zentrale Wien:
WILO Pumpen Österreich GmbH
Eitnergasse 13
1230 Wien
T +43 507 507-0
F +43 507 507-15

Vertriebsbüro Salzburg:
Gnigler Straße 56
5020 Salzburg
T +43 507 507-13
F +43 507 507-15

Vertriebsbüro Oberösterreich:
Trattnachtalstraße 7
4710 Grieskirchen
T +43 507 507-26
F +43 507 507-15

Schweiz

EMB Pumpen AG
Gerstenweg 7
4310 Rheinfelden
T +41 61 83680-20
F +41 61 83680-21

Standorte weiterer Tochtergesellschaften

Argentinien, Aserbaidschan,
Belarus, Belgien, Bulgarien,
China, Dänemark, Estland,
Finnland, Frankreich,
Griechenland, Großbritannien,
Indien, Indonesien, Irland,
Italien, Kanada, Kasachstan,
Korea, Kroatien, Lettland,
Libanon, Litauen,
Niederlande, Norwegen,
Polen, Portugal, Rumänien,
Russland, Saudi-Arabien,
Schweden, Serbien und
Montenegro, Slowakei,
Slowenien, Spanien,
Südafrika, Taiwan,
Tschechien, Türkei, Ukraine,
Ungarn, USA, Vereinigte
Arabische Emirate, Vietnam

Die Adressen finden Sie unter
www.wilo.com.

Stand November 2009

* 14 Cent pro Minute aus dem deutschen Festnetz der T-Com. Bei Anrufen aus Mobilfunknetzen sind Preisabweichungen möglich.



WILO SE
Nortkirchenstraße 100
44263 Dortmund
Germany
T 0231 4102-0
F 0231 4102-7363
wilo@wilo.com
www.wilo.de

Wilo – International (Subsidiaries)

Argentina

WILO SALMSON
Argentina S.A.
C1295ABI Ciudad
Autónoma de Buenos Aires
T+ 54 11 4361 5929
info@salmson.com.ar

Austria

WILO Pumpen
Österreich GmbH
1230 Wien
T +43 507 507-0
office@wilo.at

Azerbaijan

WILO Caspian LLC
1065 Baku
T +994 12 5962372
info@wilo.az

Belarus

WILO Bel OOO
220035 Minsk
T +375 17 2503393
wilobel@wilo.by

Belgium

WILO SA/NV
1083 Ganshoren
T +32 2 4823333
info@wilo.be

Bulgaria

WILO Bulgaria Ltd.
1125 Sofia
T +359 2 9701970
info@wilo.bg

Canada

WILO Canada Inc.
Calgary, Alberta T2A 5L4
T +1 403 2769456
bill.lowe@wilo-na.com

China

WILO China Ltd.
101300 Beijing
T +86 10 58041888
wilobj@wilo.com.cn

Croatia

WILO Hrvatska d.o.o.
10090 Zagreb
T +38 51 3430914
wilo-hrvatska@wilo.hr

Czech Republic

WILO Praha s.r.o.
25101 Cestlice
T +420 234 098711
info@wilo.cz

Denmark

WILO Danmark A/S
2690 Karlslunde
T +45 70 253312
wilo@wilo.dk

Estonia

WILO Eesti OÜ
12618 Tallinn
T +372 6509780
info@wilo.ee

Finland

WILO Finland OY
02330 Espoo
T +358 207401540
wilo@wilo.fi

France

WILO S.A.S.
78390 Bois d'Arcy
T +33 1 30050930
info@wilo.fr

Great Britain

WILO (U.K.) Ltd.
DE14 2WJ Burton-
Upon-Trent
T +44 1283 523000
sales@wilo.co.uk

Greece

WILO Hellas AG
14569 Anixi (Attika)
T +302 10 6248300
wilo.info@wilo.gr

Hungary

WILO Magyarország Kft
2045 Törökbálint
(Budapest)
T +36 23 889500
wilo@wilo.hu

India

WILO India Mather and
Platt Pumps Ltd.
Pune 411019
T +91 20 27442100
service@
pun.matherplatt.co.in

Indonesia

WILO Pumps Indonesia
Jakarta Selatan 12140
T +62 21 7247676
citrawilo@cbn.net.id

Ireland

WILO Engineering Ltd.
Limerick
T +353 61 227566
sales@wilo.ie

Italy

WILO Italia s.r.l.
20068 Peschiera
Borromeo (Milano)
T +39 25538351
wilo.italia@wilo.it

Kazakhstan

WILO Central Asia
050002 Almaty
T +7 727 2785961
in.pak@wilo.kz

Korea

WILO Pumps Ltd.
621-807 Gimhae
Gyeongnam
T +82 55 3405890
wilo@wilo.co.kr

Latvia

WILO Baltic SIA
1019 Riga
T +371 67 145229
mail@wilo.lv

Lebanon

WILO SALMSON
Lebanon
12022030 El Metn
T +961 4 722280
wsl@cyberia.net.lb

Lithuania

WILO Lietuva UAB
03202 Vilnius
T +370 5 2136495
mail@wilo.lt

The Netherlands

WILO Nederland b.v.
1551 NA Westzaan
T +31 88 9456 000
info@wilo.nl

Norway

WILO Norge AS
0975 Oslo
T +47 22 804570
wilo@wilo.no

Poland

WILO Polska Sp. z o.o.
05-090 Raszyn
T +48 22 7026161
wilo@wilo.pl

Portugal

Bombas Wilo-Salmson
Portugal Lda.
4050-040 Porto
T +351 22 2080350
bombas@wilo.pt

Romania

WILO Romania s.r.l.
077040 Com. Chiajna
Jud. Ilfov
T +40 21 3170164
wilo@wilo.ro

Russia

WILO Rus ooo
123592 Moscow
T +7 495 7810690
wilo@wilo.ru

Saudi Arabia

WILO ME – Riyadh
Riyadh 11465
T +966 1 4624430
wshoula@watanaiind.com

Serbia and Montenegro

WILO Beograd d.o.o.
11000 Beograd
T +381 11 2851278
office@wilo.co.yu

Slovakia

WILO Slovakia s.r.o.
82008 Bratislava 28
T +421 2 45520122
wilo@wilo.sk

Slovenia

WILO Adriatic d.o.o.
1000 Ljubljana
T +386 1 5838130
wilo.adriatic@wilo.si

South Africa

Salmson South Africa
1610 Edenvale
T +27 11 6082780
errol.cornelius@
salmson.co.za

Spain

WILO Ibérica S.A.
28806 Alcalá de Henares
(Madrid)
T +34 91 8797100
wilo.iberica@wilo.es

Sweden

WILO Sverige AB
35246 Växjö
T +46 470 727600
wilo@wilo.se

Switzerland

EMB Pumpen AG
4310 Rheinfelden
T +41 61 83680-20
info@emb-pumpen.ch

Taiwan

WILO-EMU Taiwan Co. Ltd.
110 Taipei
T +886 227 391655
nelson.wu@
wiloemutaiwan.com.tw

Turkey

WILO Pompa Sistemleri
San. ve Tic. A.Ş.
34530 Istanbul
T +90 216 6610211
wilo@wilo.com.tr

Ukraine

WILO Ukraina t.o.u.
01033 Kiev
T +38 044 2011870
wilo@wilo.ua

United Arab Emirates

WILO Middle East FZE
Jebel Ali – Dubai
T +971 4 886 4771
info@wilo.com.sa

USA

WILO-EMU USA LLC
Thomasville,
Georgia 31792
T +1 229 5840097
info@wilo-emu.com

WILO USA LLC

Melrose Park, Illinois 60160
T +1 708 3389456
mike.easterley@
wilo-na.com

Vietnam

WILO Vietnam Co Ltd.
Ho Chi Minh City, Vietnam
T +84 8 38109975
nkminh@wilo.vn

Wilo – International (Representation offices)

Algeria

Bad Ezzouar, Dar El Beida
T +213 21 247979
chabane.hamdad@salmson.fr

Armenia

375001 Yerevan
T +374 10 544336
info@wilo.am

Bosnia and Herzegovina

71000 Sarajevo
T +387 33 714510
zeljko.cvjetkovic@wilo.ba

Georgia

0179 Tbilisi
T +995 32 306375
info@wilo.ge

Macedonia

1000 Skopje
T +389 2 3122058
valerij.vojneski@wilo.com.mk

Mexico

07300 Mexico
T +52 55 55863209
roberto.valenzuela@wilo.com.mx

Moldova

2012 Chisinau
T +373 2 223501
sergiu.zagurean@wilo.md

Rep. Mongolia

Ulaanbaatar
T +976 11 314843
wilo@magicnet.mn

Tajikistan

734025 Dushanbe
T +992 37 2232908
farhod.rahimov@wilo.tj

Turkmenistan

744000 Ashgabad
T +993 12 345838
wilo@wilo-tm.info

Uzbekistan

100015 Tashkent
T +998 71 1206774
info@wilo.uz

November 2009