

Project:
Reference Number:

Client:
Client Number:
Contact:

| Qty. | Description |
|------|--|
| 1 | <p data-bbox="199 436 574 470">TPE3 32-200 S-A-F-A-BQQE-FYC</p> <div data-bbox="271 481 518 795" style="text-align: center;">  </div> <p data-bbox="590 772 1061 806" style="text-align: center;">Note! Product picture may differ from actual product</p> <p data-bbox="199 817 462 851">Product No.: 99272238</p> <p data-bbox="199 873 1436 952">Single-stage, close-coupled, volute pump with in-line suction and discharge ports of identical diameter. The pump is of the top-pull-out design, i.e. the power head (motor, pump head and impeller) can be removed for maintenance or service while the pump housing remains in the pipework.</p> <p data-bbox="199 963 1380 1019">The shaft seal is according to EN 12756. Pipework connection is via PN 6/10 DIN flanges (EN 1092-2 and ISO 7005-2).</p> <p data-bbox="199 1019 1452 1075">The pump is fitted with a fan-cooled, permanent-magnet synchronous motor. The motor efficiency is classified as IE5 in accordance with IEC 60034-30-2.</p> <p data-bbox="199 1075 1436 1153">The motor includes a frequency converter and PI controller in the motor terminal box. This enables continuously variable control of the motor speed, which again enables adaptation of the performance to a given requirement. The pump is fitted with a combined temperature- and differential pressure sensor.</p> <p data-bbox="199 1164 638 1220"> Controls: Frequency converter: Built-in </p> <p data-bbox="199 1254 702 1400"> Liquid: Pumped liquid: Water Liquid temperature range: -25 .. 120 °C Selected liquid temperature: 20 °C Density: 998.2 kg/m³ </p> <p data-bbox="199 1433 813 1646"> Technical: Pump speed on which pump data are based: 5200 rpm Rated flow: 14.9 m³/h Rated head: 13.8 m Actual impeller diameter: 62 mm Code for shaft seal: BQQE Curve tolerance: ISO9906:2012 3B2 </p> <p data-bbox="199 1680 734 1859"> Materials: Pump housing: Cast iron EN-GJL-250 ASTM class 35 Impeller: Composite PES+30% GF </p> <p data-bbox="199 1892 734 2105"> Installation: Range of ambient temperature: -20 .. 50 °C Maximum operating pressure: 10 bar Max pressure at stated temp: 10 bar / 120 °C Type of connection: DIN Size of connection: DN 32 Pressure rating for connection: PN 6/10 </p> |



Company name: national pumps and boilers
Created by:
Phone: 01539 729395
Email: info@nationlapumpsandboilers.co.uk
Date: 04/01/2024

Project:
Reference Number:

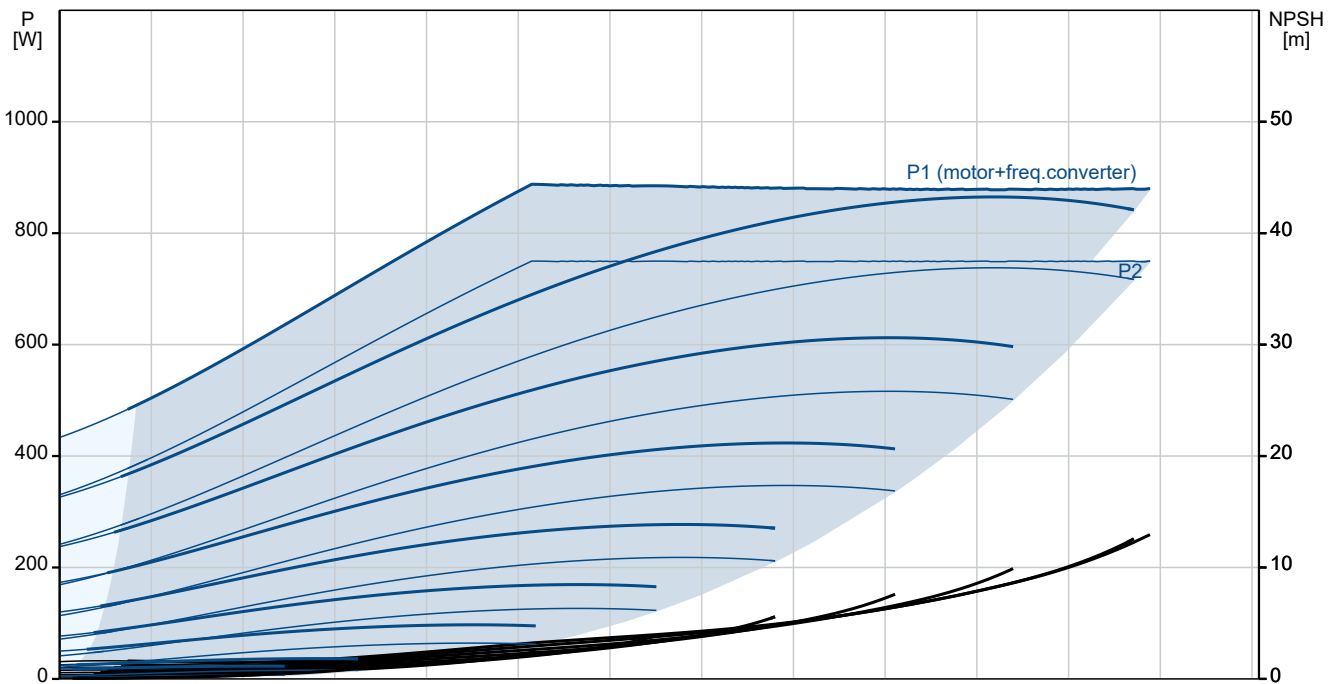
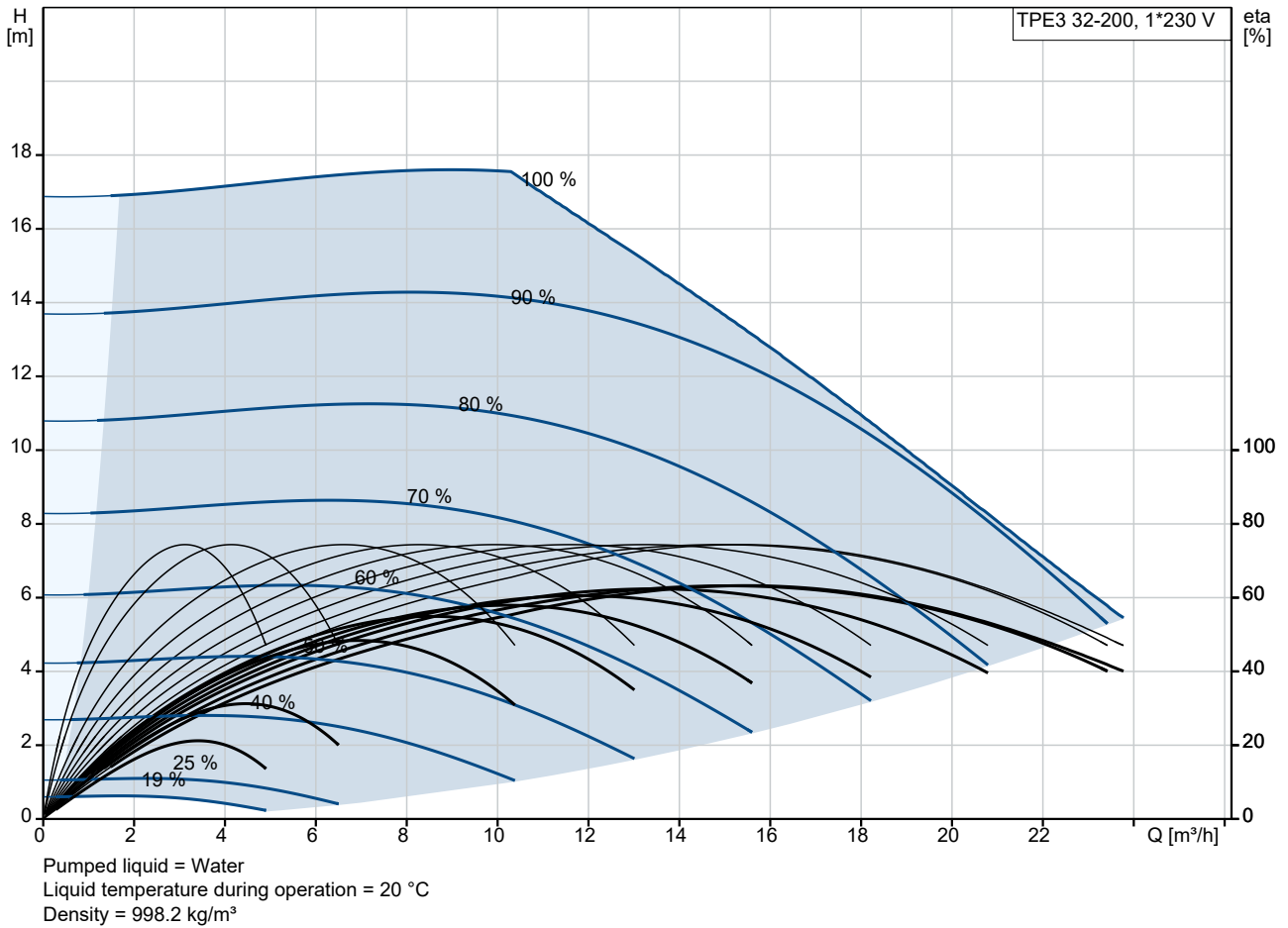
Client:
Client Number:
Contact:

| Qty. | Description |
|------|--|
| 1 | Port-to-port length: 220 mm Flange size for motor: 56C Electrical data: Motor type: 80A Rated power - P2: 0.75 kW Mains frequency: 50 / 60 Hz Rated voltage: 1 x 200-240 V Rated current: 4.70-4.00 A Cos phi - power factor: 0.98 Rated speed: 480-5900 rpm IE Efficiency class: IE5 Motor efficiency at full load: 85.7 % Enclosure class (IEC 34-5): IP55 Insulation class (IEC 85): F Motor No: 99138024 Others: Minimum efficiency index, MEI \geq : 0.70 Net weight: 21.8 kg Gross weight: 28.9 kg Shipping volume: 0.104 m ³ Danish VVS No.: 381600200 Swedish RSK No.: 5745872 Norwegian NRF no.: 9043454 |

Project:
Reference Number:

Client:
Client Number:
Contact:

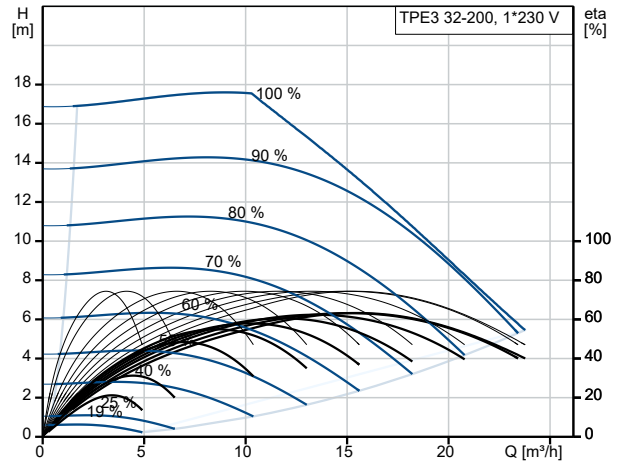
99272238 TPE3 32-200 S-A-F-A-BQQE-FYC



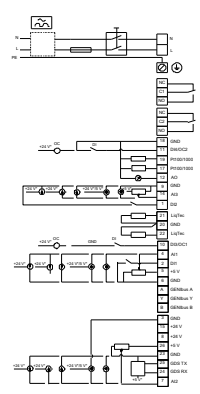
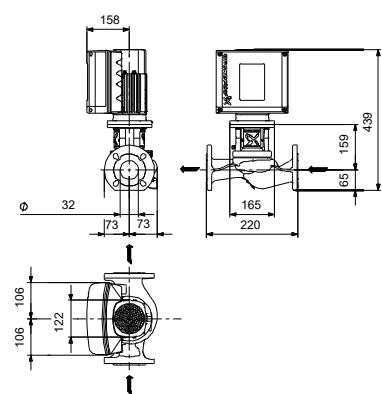
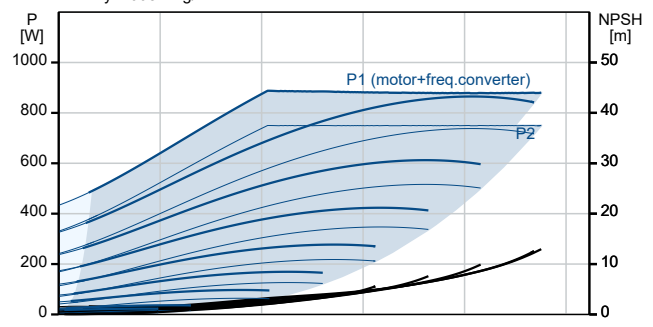
Project:
Reference Number:

Client:
Client Number:
Contact:

| Description | Value |
|--|---------------------------------|
| General information: | |
| Product name: | TPE3 32-200 S-A-F-A-BQQE-FYC |
| Product No: | 99272238 |
| EAN number: | 5713826360771 |
| Technical: | |
| Pump speed on which pump data are based: | 5200 rpm |
| Rated flow: | 14.9 m ³ /h |
| Rated head: | 13.8 m |
| Maximum head: | 200 dm |
| Actual impeller diameter: | 62 mm |
| Code for shaft seal: | BQQE |
| Curve tolerance: | ISO9906:2012 3B2 |
| Pump version: | A |
| Materials: | |
| Pump housing: | Cast iron |
| Pump housing: | EN-GJL-250 |
| Pump housing: | ASTM class 35 |
| Impeller: | Composite |
| Impeller: | PES+30% GF |
| Material code: | A |
| Installation: | |
| Range of ambient temperature: | -20 .. 50 °C |
| Maximum operating pressure: | 10 bar |
| Max pressure at stated temp: | 10 bar / 120 °C |
| Type of connection: | DIN |
| Size of connection: | DN 32 |
| Pressure rating for connection: | PN 6/10 |
| Port-to-port length: | 220 mm |
| Flange size for motor: | 56C |
| Connect code: | F |
| Liquid: | |
| Pumped liquid: | Water |
| Liquid temperature range: | -25 .. 120 °C |
| Selected liquid temperature: | 20 °C |
| Density: | 998.2 kg/m ³ |
| Electrical data: | |
| Motor type: | 80A |
| Rated power - P2: | 0.75 kW |
| Mains frequency: | 50 / 60 Hz |
| Rated voltage: | 1 x 200-240 V |
| Rated current: | 4.70-4.00 A |
| Cos phi - power factor: | 0.98 |
| Rated speed: | 480-5900 rpm |
| IE Efficiency class: | IE5 |
| Motor efficiency at full load: | 85.7 % |
| Enclosure class (IEC 34-5): | IP55 |
| Insulation class (IEC 85): | F |
| Built-in motor protection: | ELEC |
| Motor No: | 99138024 |
| Controls: | |
| Control panel: | HMI300 - Graphical |
| Function Module: | FM300 - Advanced |
| Frequency converter: | Built-in |



Pumped liquid = Water
 Liquid temperature during operation = 20 °C
 Density = 998.2 kg/m³





Company name: national pumps and boilers
Created by:
Phone: 01539 729395
Email: info@nationlapumpsandboilers.co.uk
Date: 04/01/2024

Project:
Reference Number:

Client:
Client Number:
Contact:

| Description | Value |
|----------------------------------|----------------------|
| Others: | |
| Minimum efficiency index, MEI ≥: | 0.70 |
| Net weight: | 21.8 kg |
| Gross weight: | 28.9 kg |
| Shipping volume: | 0.104 m ³ |
| Config. file no: | 98481319 |
| Danish VVS No.: | 381600200 |
| Swedish RSK No.: | 5745872 |
| Norwegian NRF no.: | 9043454 |

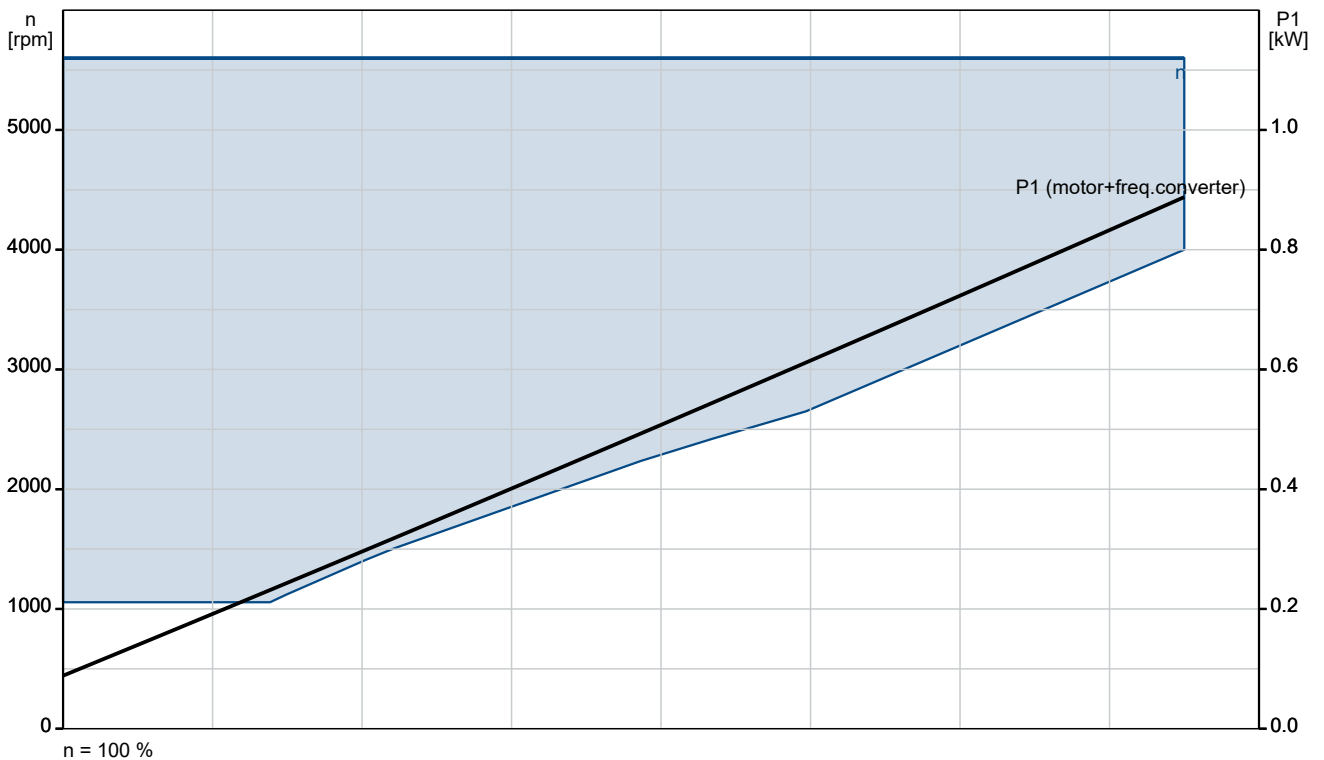
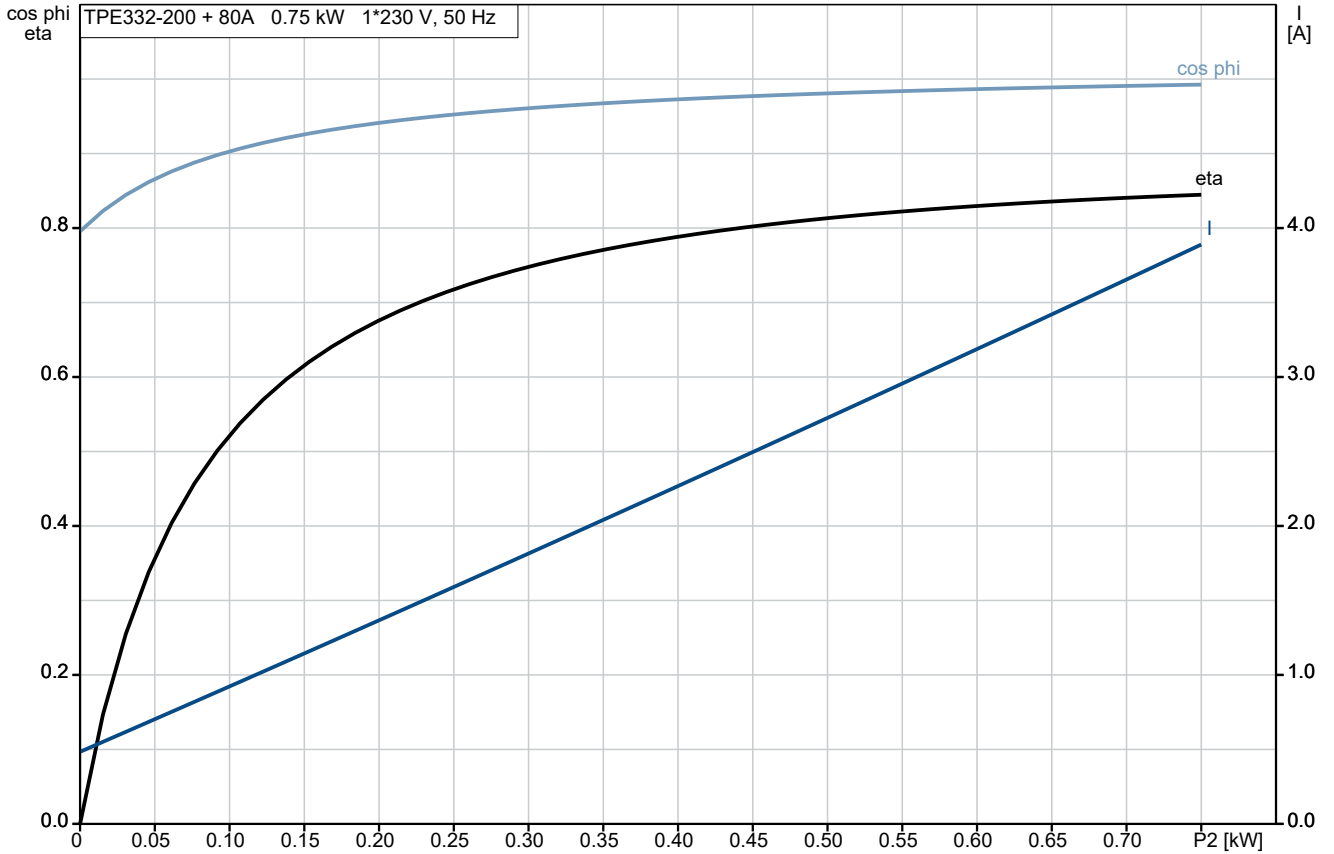


Company name: national pumps and boilers
Created by:
Phone: 01539 729395
Email: info@nationlapumpsandboilers.co.uk
Date: 04/01/2024

Project:
Reference Number:

Client:
Client Number:
Contact:

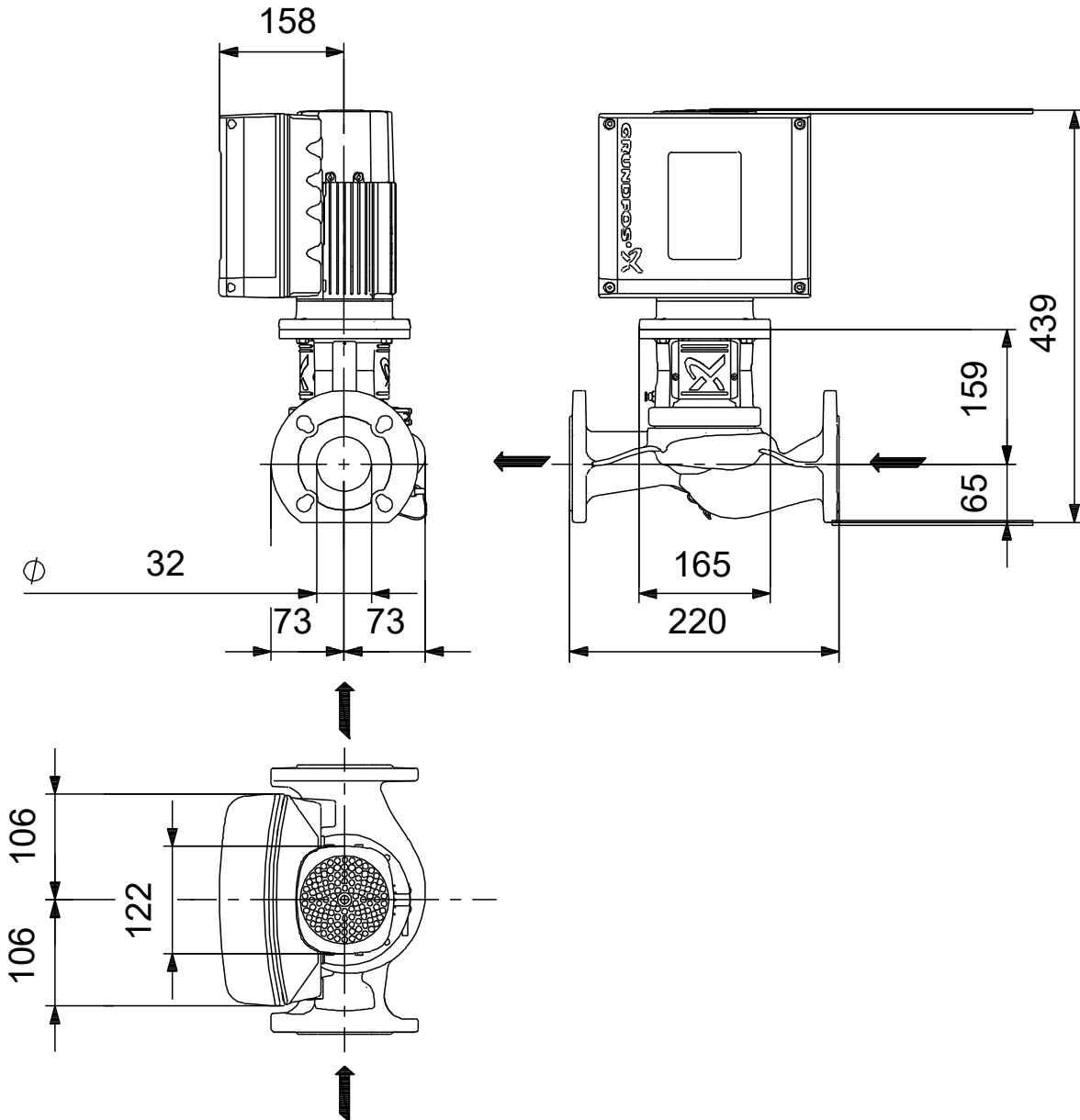
99272238 TPE3 32-200 S-A-F-A-BQQE-FYC



Project:
Reference Number:

Client:
Client Number:
Contact:

99272238 TPE3 32-200 S-A-F-A-BQQE-FYC

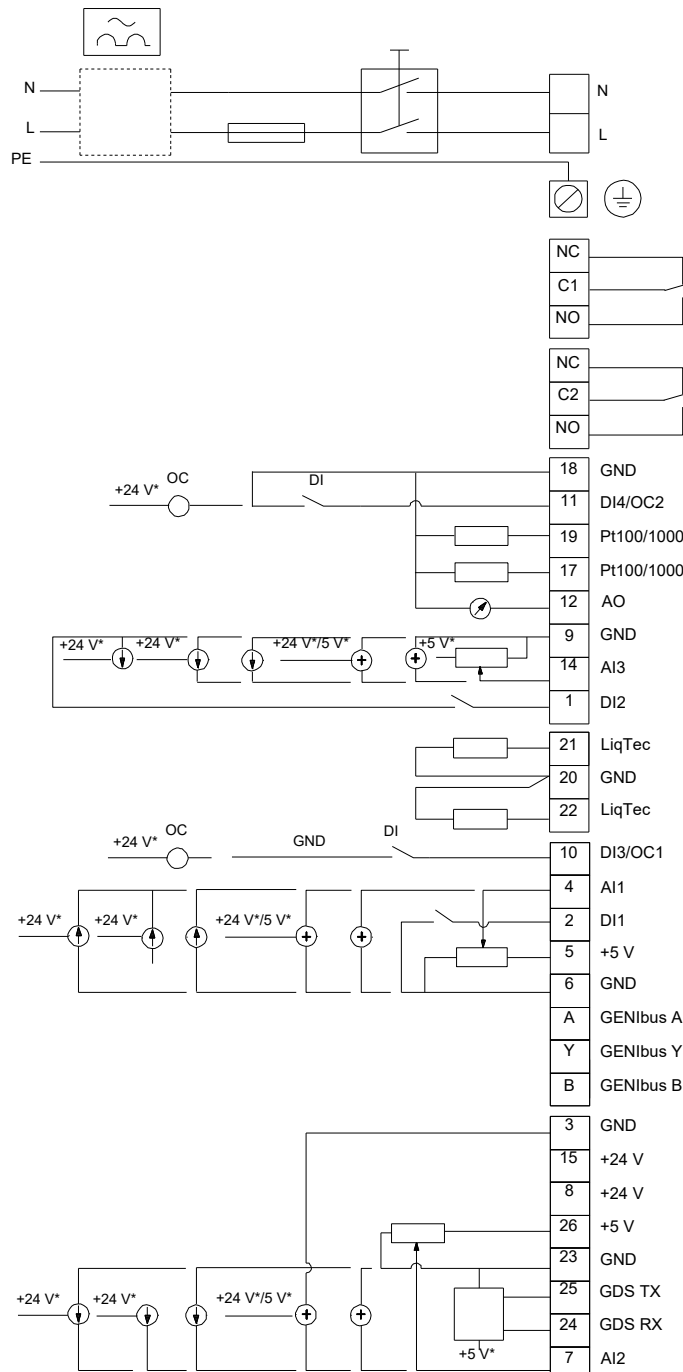


Note! All units are in [mm] unless others are stated.
 Disclaimer: This simplified dimensional drawing does not show all details.

Project:
Reference Number:

Client:
Client Number:
Contact:

99272238 TPE3 32-200 S-A-F-A-BQQE-FYC



Note! All units are in [mm] unless others are stated.