

**Project:**  
**Reference Number:**

**Client:**  
**Client Number:**  
**Contact:**

Qty.	Description
1	<p data-bbox="199 436 582 470"><b>TPE3 40-120 S-A-F-A-BQQE-DYB</b></p> <div data-bbox="271 481 518 795" style="text-align: center;">  </div> <p data-bbox="590 772 1061 806" style="text-align: center;"><b>Note! Product picture may differ from actual product</b></p> <p data-bbox="199 817 470 851">Product No.: <a href="#">99272240</a></p> <p data-bbox="199 873 1444 952">Single-stage, close-coupled, volute pump with in-line suction and discharge ports of identical diameter. The pump is of the top-pull-out design, i.e. the power head (motor, pump head and impeller) can be removed for maintenance or service while the pump housing remains in the pipework.</p> <p data-bbox="199 963 1380 1019">The shaft seal is according to EN 12756. Pipework connection is via PN 6/10 DIN flanges (EN 1092-2 and ISO 7005-2).</p> <p data-bbox="199 1019 1452 1075">The pump is fitted with a fan-cooled, permanent-magnet synchronous motor. The motor efficiency is classified as IE5 in accordance with IEC 60034-30-2.</p> <p data-bbox="199 1075 1444 1153">The motor includes a frequency converter and PI controller in the motor terminal box. This enables continuously variable control of the motor speed, which again enables adaptation of the performance to a given requirement. The pump is fitted with a combined temperature- and differential pressure sensor.</p> <p data-bbox="199 1164 646 1220"> <b>Controls:</b>            Frequency converter:                      Built-in         </p> <p data-bbox="199 1254 710 1400"> <b>Liquid:</b>            Pumped liquid:                              Water            Liquid temperature range:                -25 .. 120 °C            Selected liquid temperature:              20 °C            Density:                                        998.2 kg/m<sup>3</sup> </p> <p data-bbox="199 1433 821 1646"> <b>Technical:</b>            Pump speed on which pump data are based:    3390 rpm            Rated flow:                                    14.1 m<sup>3</sup>/h            Rated head:                                    7.2 m            Actual impeller diameter:                    74 mm            Code for shaft seal:                        BQQE            Curve tolerance:                            ISO9906:2012 3B2         </p> <p data-bbox="199 1680 734 1859"> <b>Materials:</b>            Pump housing:                                Cast iron                EN-GJL-250                ASTM class 35            Impeller:                                      Composite                PES+30% GF         </p> <p data-bbox="199 1892 734 2105"> <b>Installation:</b>            Range of ambient temperature:            -20 .. 50 °C            Maximum operating pressure:              10 bar            Max pressure at stated temp:              10 bar / 120 °C            Type of connection:                        DIN            Size of connection:                         DN 40            Pressure rating for connection:            PN 6/10         </p>



**Company name:** national pumps and boilers  
**Created by:**  
**Phone:** 01539 729395  
**Email:** info@nationlapumpsandboilers.co.uk  
**Date:** 04/01/2024

**Project:**  
**Reference Number:**

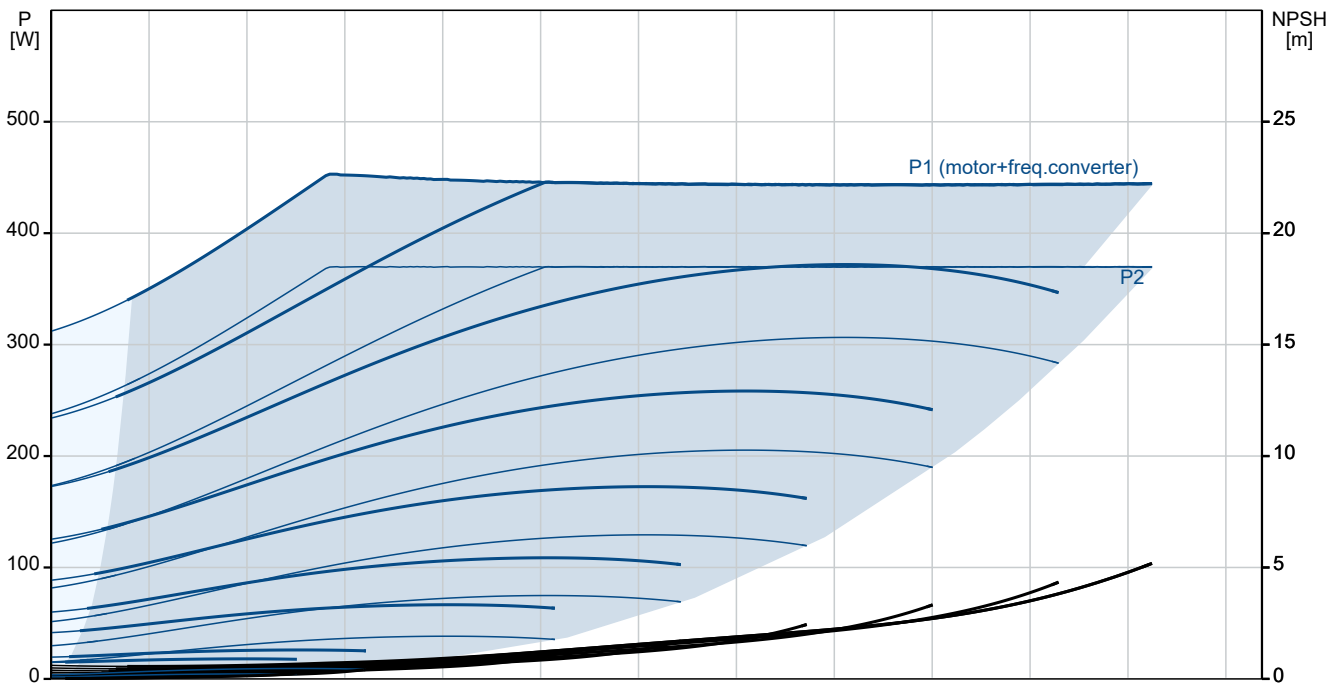
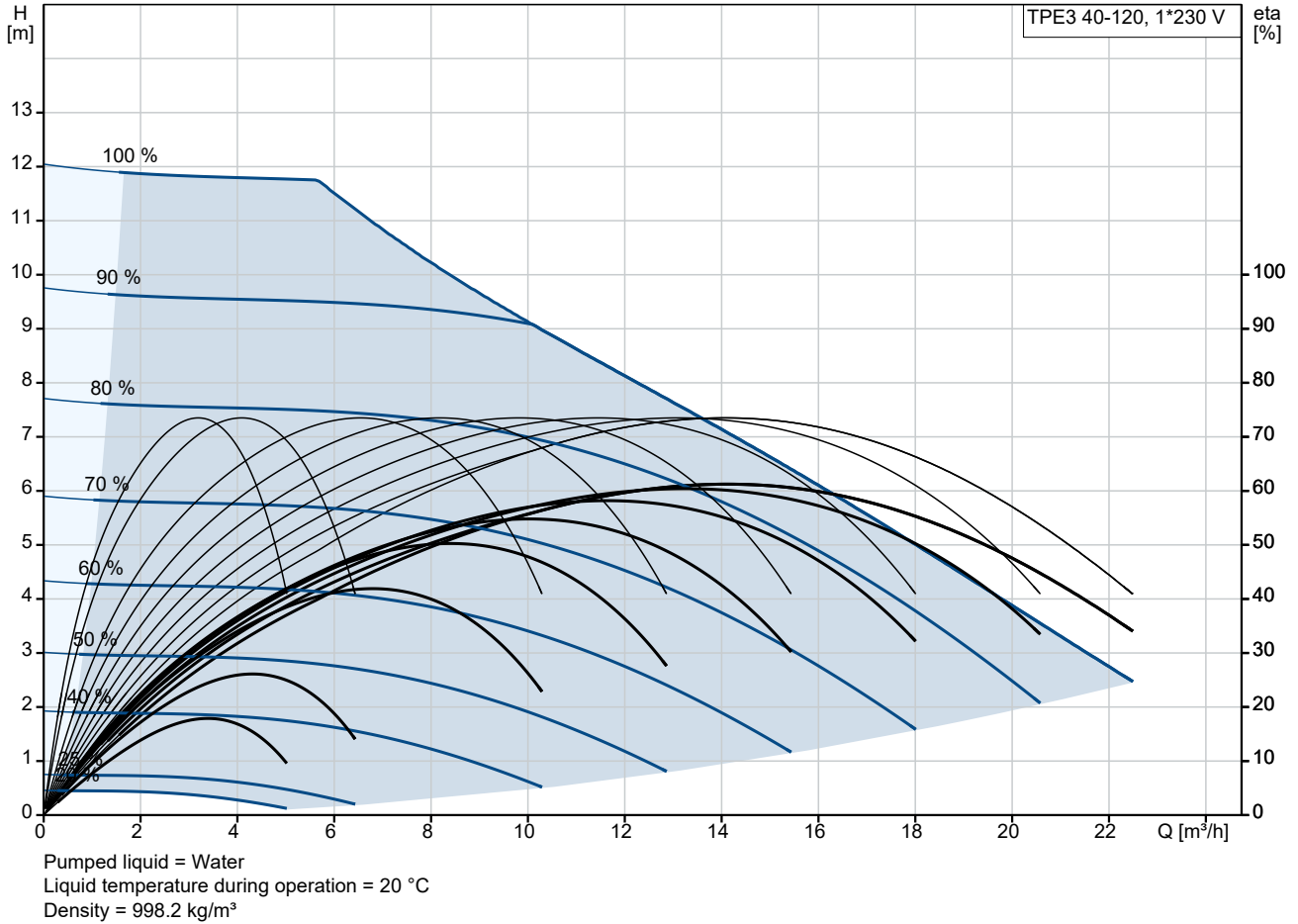
**Client:**  
**Client Number:**  
**Contact:**

Qty.	Description
1	Port-to-port length: 250 mm Flange size for motor: 56C  Electrical data: Motor type: 71A Rated power - P2: 0.37 kW Mains frequency: 50 / 60 Hz Rated voltage: 1 x 200-240 V Rated current: 2.40-2.10 A Cos phi - power factor: 0.96 Rated speed: 360-4000 rpm IE Efficiency class: IE5 Motor efficiency at full load: 84.0 % Enclosure class (IEC 34-5): IP55 Insulation class (IEC 85): F Motor No: 99137984  Others: Minimum efficiency index, MEI $\geq$ : 0.70 Net weight: 22.6 kg Gross weight: 29.8 kg Shipping volume: 0.104 m <sup>3</sup> Danish VVS No.: 381601120 Swedish RSK No.: 5745874 Finnish LVI No.: 4616187 Norwegian NRF no.: 9043456

**Project:**  
**Reference Number:**

**Client:**  
**Client Number:**  
**Contact:**

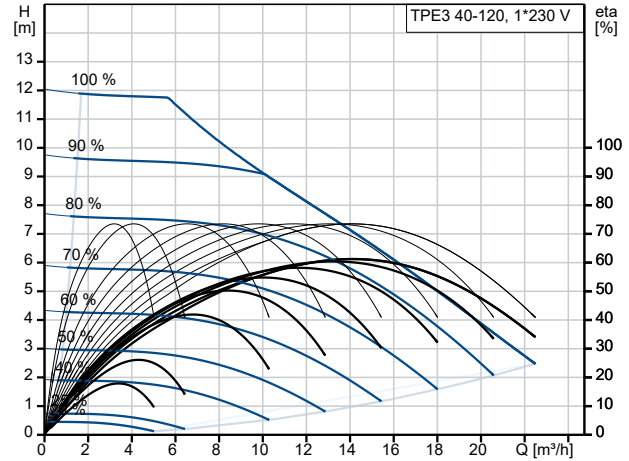
## 99272240 TPE3 40-120 S-A-F-A-BQQE-DYB



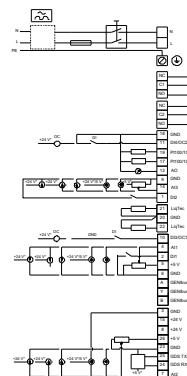
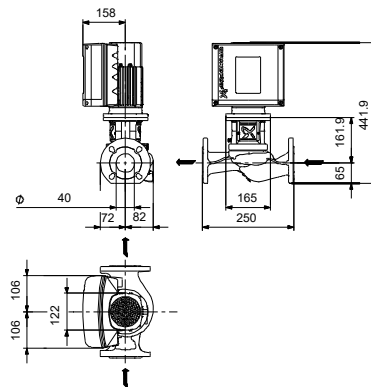
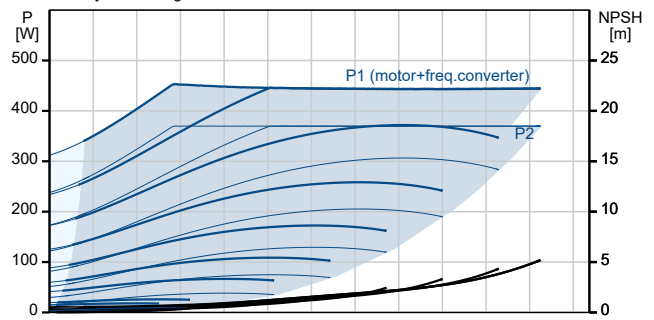
**Project:**  
**Reference Number:**

**Client:**  
**Client Number:**  
**Contact:**

Description	Value
<b>General information:</b>	
Product name:	TPE3 40-120 S-A-F-A-BQQE-DYB
Product No:	99272240
EAN number:	5713826360917
<b>Technical:</b>	
Pump speed on which pump data are based:	3390 rpm
Rated flow:	14.1 m <sup>3</sup> /h
Rated head:	7.2 m
Maximum head:	120 dm
Actual impeller diameter:	74 mm
Code for shaft seal:	BQQE
Curve tolerance:	ISO9906:2012 3B2
Pump version:	A
<b>Materials:</b>	
Pump housing:	Cast iron
Pump housing:	EN-GJL-250
Pump housing:	ASTM class 35
Impeller:	Composite
Impeller:	PES+30% GF
Material code:	A
<b>Installation:</b>	
Range of ambient temperature:	-20 .. 50 °C
Maximum operating pressure:	10 bar
Max pressure at stated temp:	10 bar / 120 °C
Type of connection:	DIN
Size of connection:	DN 40
Pressure rating for connection:	PN 6/10
Port-to-port length:	250 mm
Flange size for motor:	56C
Connect code:	F
<b>Liquid:</b>	
Pumped liquid:	Water
Liquid temperature range:	-25 .. 120 °C
Selected liquid temperature:	20 °C
Density:	998.2 kg/m <sup>3</sup>
<b>Electrical data:</b>	
Motor type:	71A
Rated power - P2:	0.37 kW
Mains frequency:	50 / 60 Hz
Rated voltage:	1 x 200-240 V
Rated current:	2.40-2.10 A
Cos phi - power factor:	0.96
Rated speed:	360-4000 rpm
IE Efficiency class:	IE5
Motor efficiency at full load:	84.0 %
Enclosure class (IEC 34-5):	IP55
Insulation class (IEC 85):	F
Built-in motor protection:	ELEC
Motor No:	99137984
<b>Controls:</b>	
Control panel:	HMI300 - Graphical
Function Module:	FM300 - Advanced
Frequency converter:	Built-in



Pumped liquid = Water  
 Liquid temperature during operation = 20 °C  
 Density = 998.2 kg/m<sup>3</sup>





**Company name:** national pumps and boilers  
**Created by:**  
**Phone:** 01539 729395  
**Email:** info@nationlapumpsandboilers.co.uk  
**Date:** 04/01/2024

**Project:**  
**Reference Number:**

**Client:**  
**Client Number:**  
**Contact:**

Description	Value
<b>Others:</b>	
Minimum efficiency index, MEI ≥:	0.70
Net weight:	22.6 kg
Gross weight:	29.8 kg
Shipping volume:	0.104 m <sup>3</sup>
Config. file no:	98481391
Danish VVS No.:	381601120
Swedish RSK No.:	5745874
Finnish LVI No.:	4616187
Norwegian NRF no.:	9043456

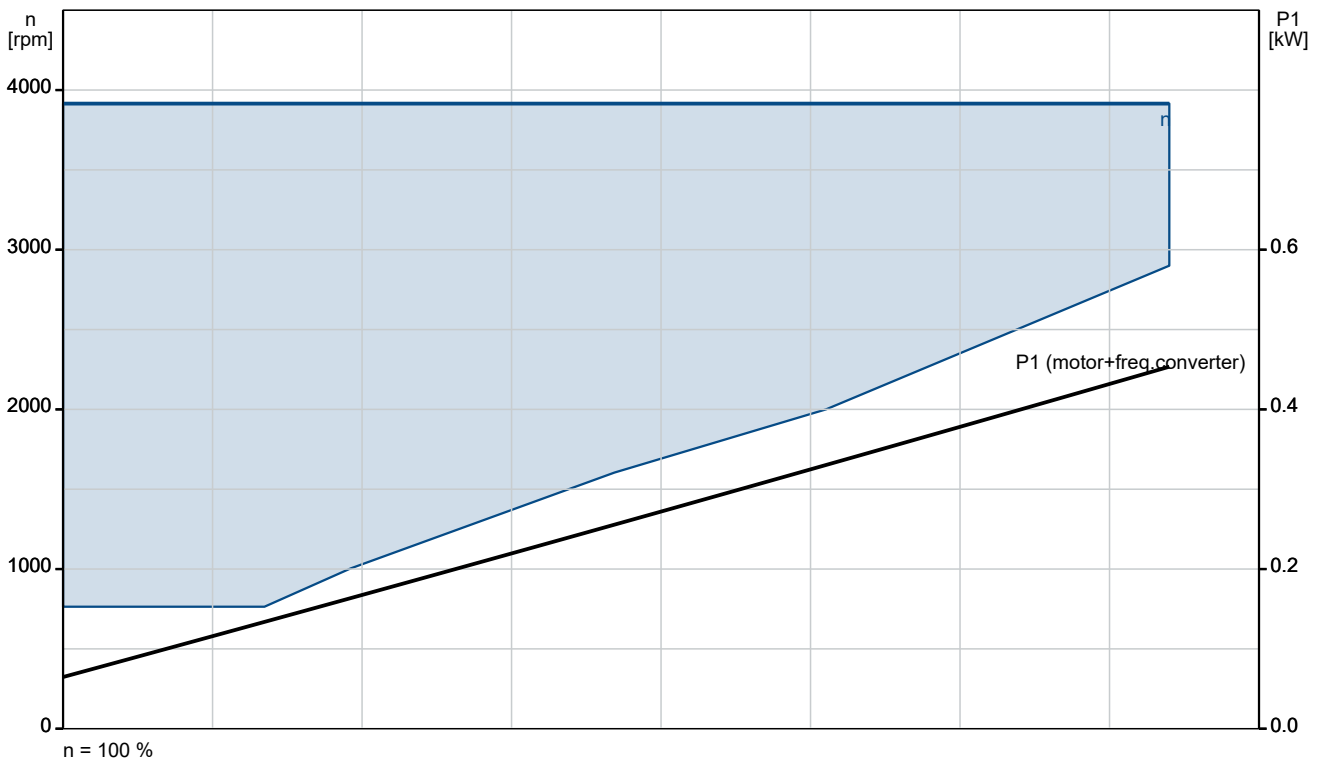
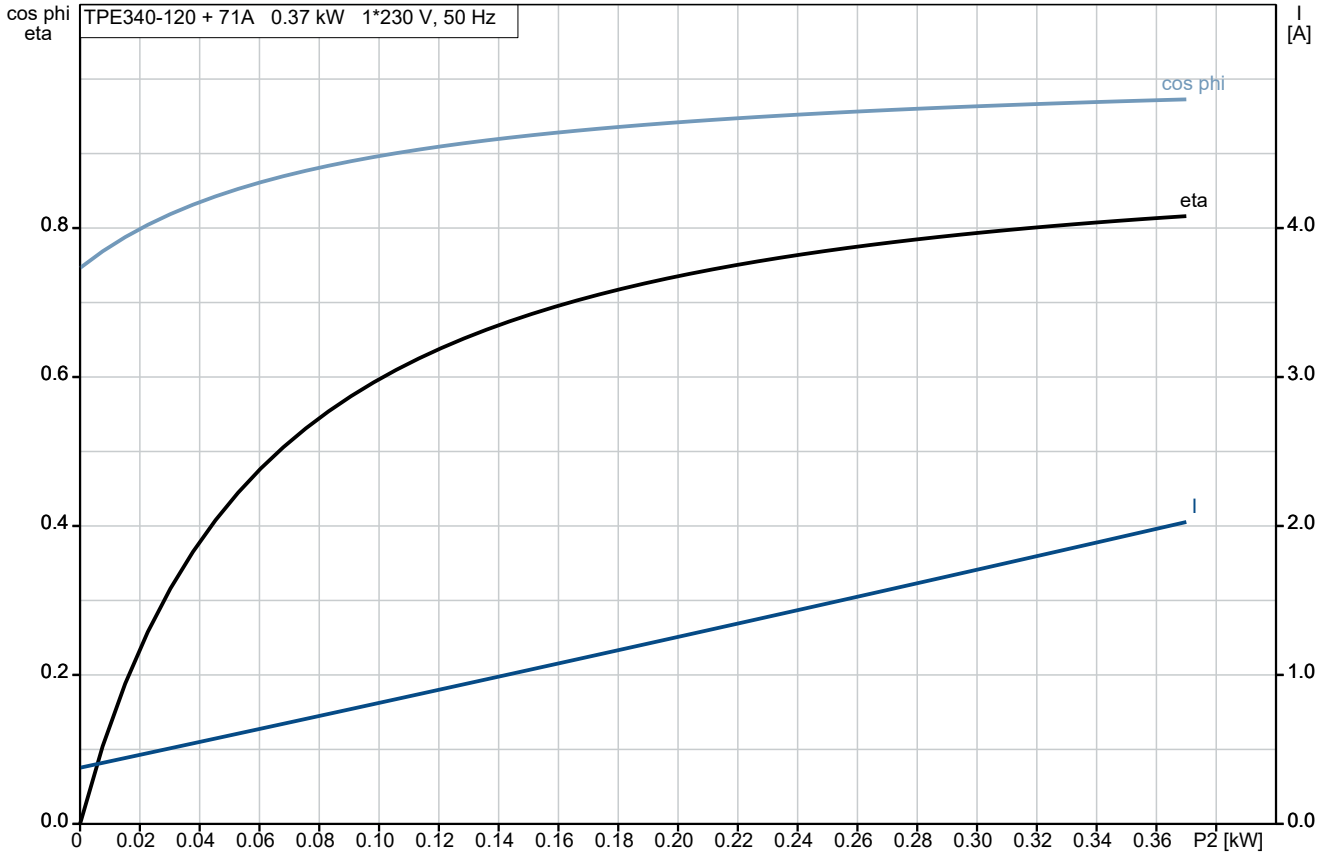


**Company name:** national pumps and boilers  
**Created by:**  
**Phone:** 01539 729395  
**Email:** info@nationlapumpsandboilers.co.uk  
**Date:** 04/01/2024

**Project:**  
**Reference Number:**

**Client:**  
**Client Number:**  
**Contact:**

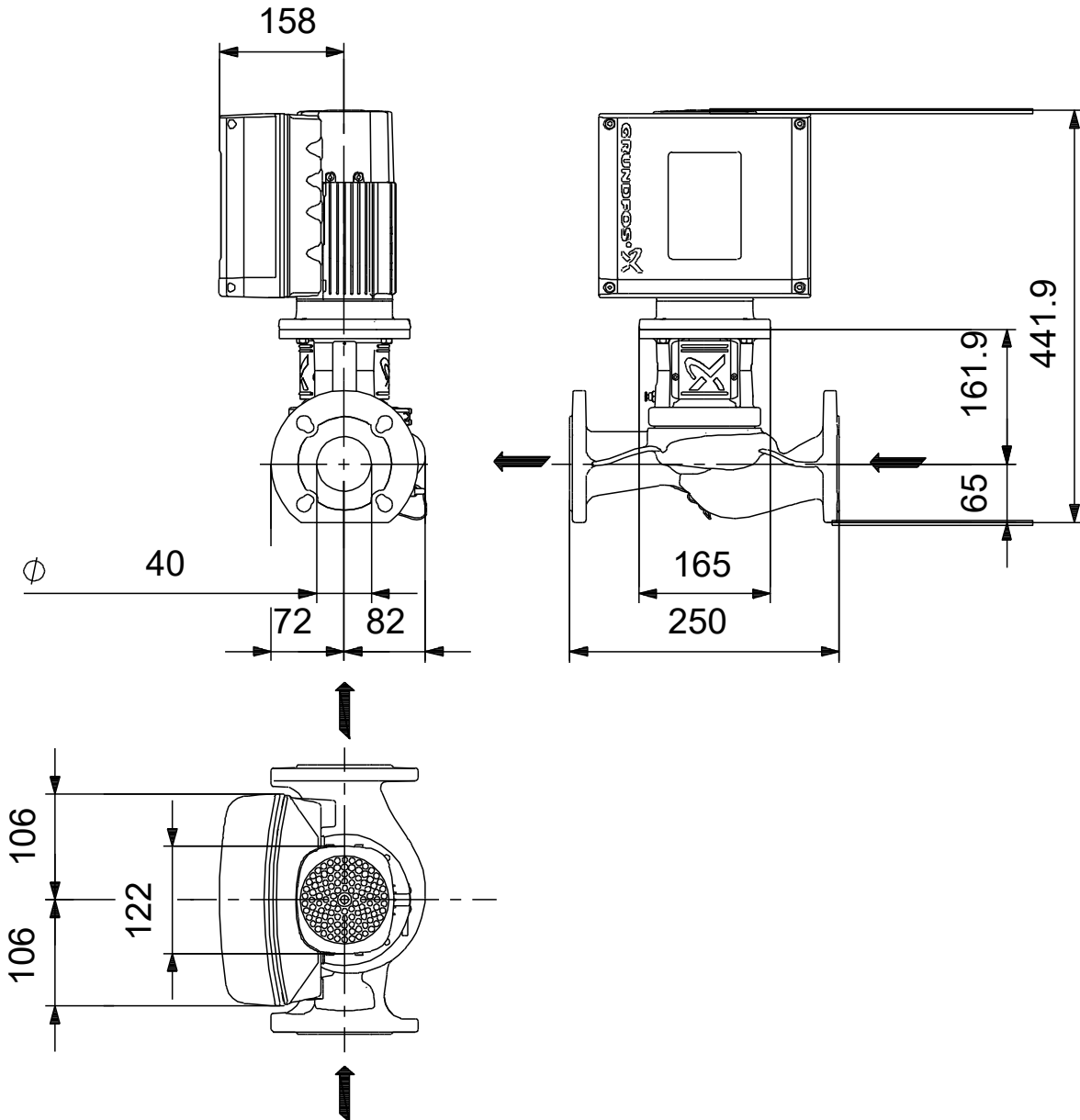
## 99272240 TPE3 40-120 S-A-F-A-BQQE-DYB



Project:  
 Reference Number:

Client:  
 Client Number:  
 Contact:

**99272240 TPE3 40-120 S-A-F-A-BQQE-DYB**

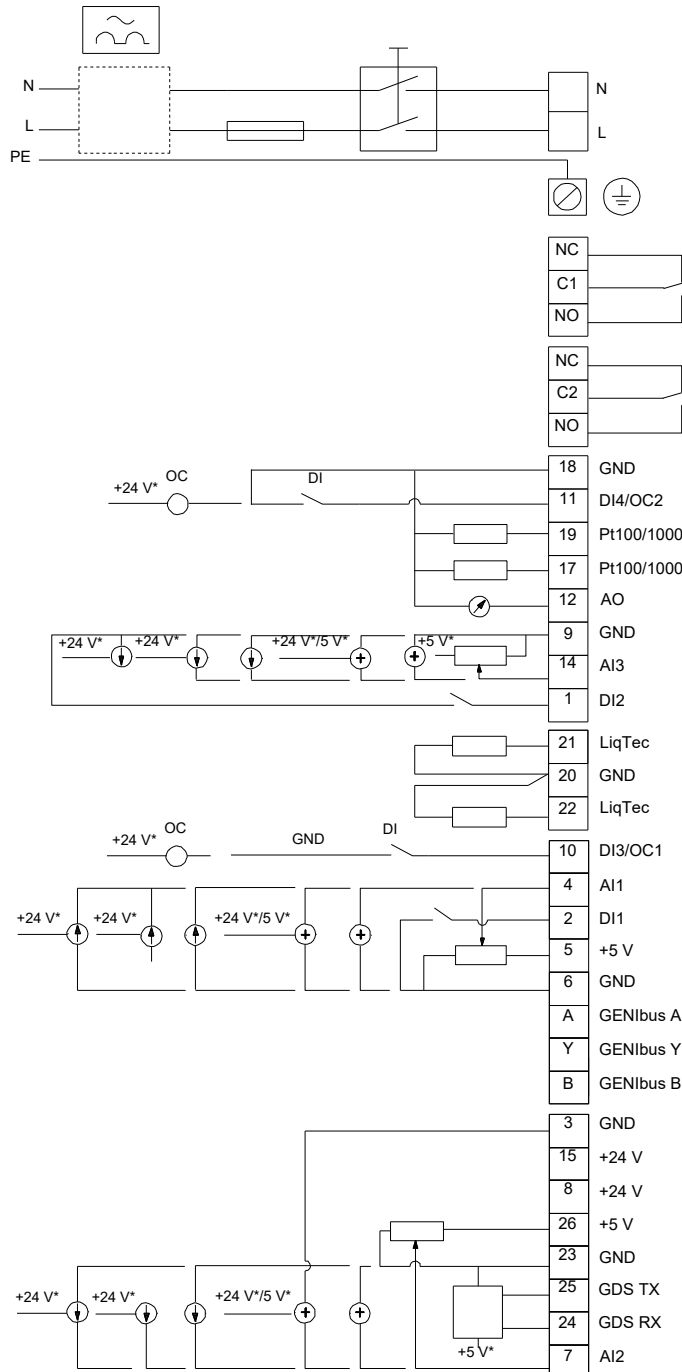


Note! All units are in [mm] unless others are stated.  
 Disclaimer: This simplified dimensional drawing does not show all details.

**Project:**  
**Reference Number:**

**Client:**  
**Client Number:**  
**Contact:**

## 99272240 TPE3 40-120 S-A-F-A-BQQE-DYB



Note! All units are in [mm] unless others are stated.