

**Project:**  
**Reference Number:**

**Client:**  
**Client Number:**  
**Contact:**

Qty.	Description
1	<p data-bbox="199 436 582 465"><b>TPE3 40-150 S-A-F-A-BQQE-EYB</b></p> <div data-bbox="271 481 518 795" style="text-align: center;">  </div> <p data-bbox="590 779 1066 806" style="text-align: center;">Note! Product picture may differ from actual product</p> <p data-bbox="199 810 470 840">Product No.: <a href="#">99272241</a></p> <p data-bbox="199 873 1436 952">Single-stage, close-coupled, volute pump with in-line suction and discharge ports of identical diameter. The pump is of the top-pull-out design, i.e. the power head (motor, pump head and impeller) can be removed for maintenance or service while the pump housing remains in the pipework.</p> <p data-bbox="199 958 1380 1012">The shaft seal is according to EN 12756. Pipework connection is via PN 6/10 DIN flanges (EN 1092-2 and ISO 7005-2).</p> <p data-bbox="199 1019 1452 1070">The pump is fitted with a fan-cooled, permanent-magnet synchronous motor. The motor efficiency is classified as IE5 in accordance with IEC 60034-30-2.</p> <p data-bbox="199 1077 1436 1153">The motor includes a frequency converter and PI controller in the motor terminal box. This enables continuously variable control of the motor speed, which again enables adaptation of the performance to a given requirement. The pump is fitted with a combined temperature- and differential pressure sensor.</p> <p data-bbox="199 1160 303 1187"><b>Controls:</b></p> <p data-bbox="199 1193 646 1220">Frequency converter: Built-in</p> <p data-bbox="199 1249 279 1276"><b>Liquid:</b></p> <p data-bbox="199 1283 638 1310">Pumped liquid: Water</p> <p data-bbox="199 1317 710 1344">Liquid temperature range: -25 .. 120 °C</p> <p data-bbox="199 1350 630 1377">Selected liquid temperature: 20 °C</p> <p data-bbox="199 1384 694 1411">Density: 998.2 kg/m<sup>3</sup></p> <p data-bbox="199 1440 319 1467"><b>Technical:</b></p> <p data-bbox="199 1473 821 1500">Pump speed on which pump data are based: 3900 rpm</p> <p data-bbox="199 1507 678 1534">Rated flow: 16.1 m<sup>3</sup>/h</p> <p data-bbox="199 1541 630 1568">Rated head: 9.3 m</p> <p data-bbox="199 1574 646 1601">Actual impeller diameter: 74 mm</p> <p data-bbox="199 1608 638 1635">Code for shaft seal: BQQE</p> <p data-bbox="199 1641 774 1668">Curve tolerance: ISO9906:2012 3B2</p> <p data-bbox="199 1697 311 1724"><b>Materials:</b></p> <p data-bbox="199 1731 734 1803">Pump housing: Cast iron EN-GJL-250 ASTM class 35</p> <p data-bbox="199 1809 718 1859">Impeller: Composite PES+30% GF</p> <p data-bbox="199 1888 327 1915"><b>Installation:</b></p> <p data-bbox="199 1921 694 1948">Range of ambient temperature: -20 .. 50 °C</p> <p data-bbox="199 1955 638 1982">Maximum operating pressure: 10 bar</p> <p data-bbox="199 1989 734 2016">Max pressure at stated temp: 10 bar / 120 °C</p> <p data-bbox="199 2022 614 2049">Type of connection: DIN</p> <p data-bbox="199 2056 638 2083">Size of connection: DN 40</p> <p data-bbox="199 2089 662 2116">Pressure rating for connection: PN 6/10</p>



**Company name:** national pumps and boilers  
**Created by:**  
**Phone:** 01539 729395  
**Email:** info@nationlapumpsandboilers.co.uk  
**Date:** 04/01/2024

**Project:**  
**Reference Number:**

**Client:**  
**Client Number:**  
**Contact:**

Qty.	Description
1	Port-to-port length: 250 mm Flange size for motor: 56C  Electrical data: Motor type: 71A Rated power - P2: 0.55 kW Mains frequency: 50 / 60 Hz Rated voltage: 1 x 200-240 V Rated current: 3.45-2.90 A Cos phi - power factor: 0.98 Rated speed: 360-4000 rpm IE Efficiency class: IE5 Motor efficiency at full load: 85.3 % Enclosure class (IEC 34-5): IP55 Insulation class (IEC 85): F Motor No: 99137985  Others: Minimum efficiency index, MEI ≥: 0.70 Net weight: 22.6 kg Gross weight: 29.8 kg Shipping volume: 0.104 m <sup>3</sup> Danish VVS No.: 381601150 Swedish RSK No.: 5745875 Finnish LVI No.: 4616188 Norwegian NRF no.: 9043457 Country of origin: HU Custom tariff no.: 84137051

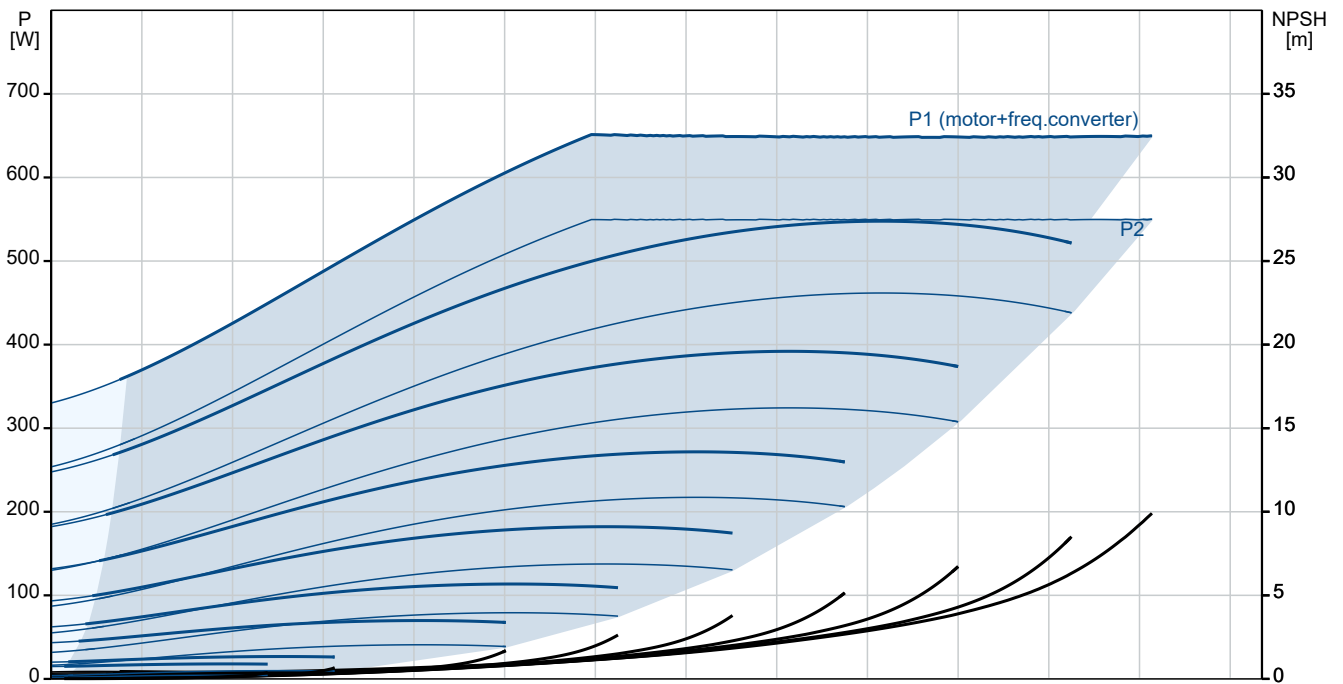
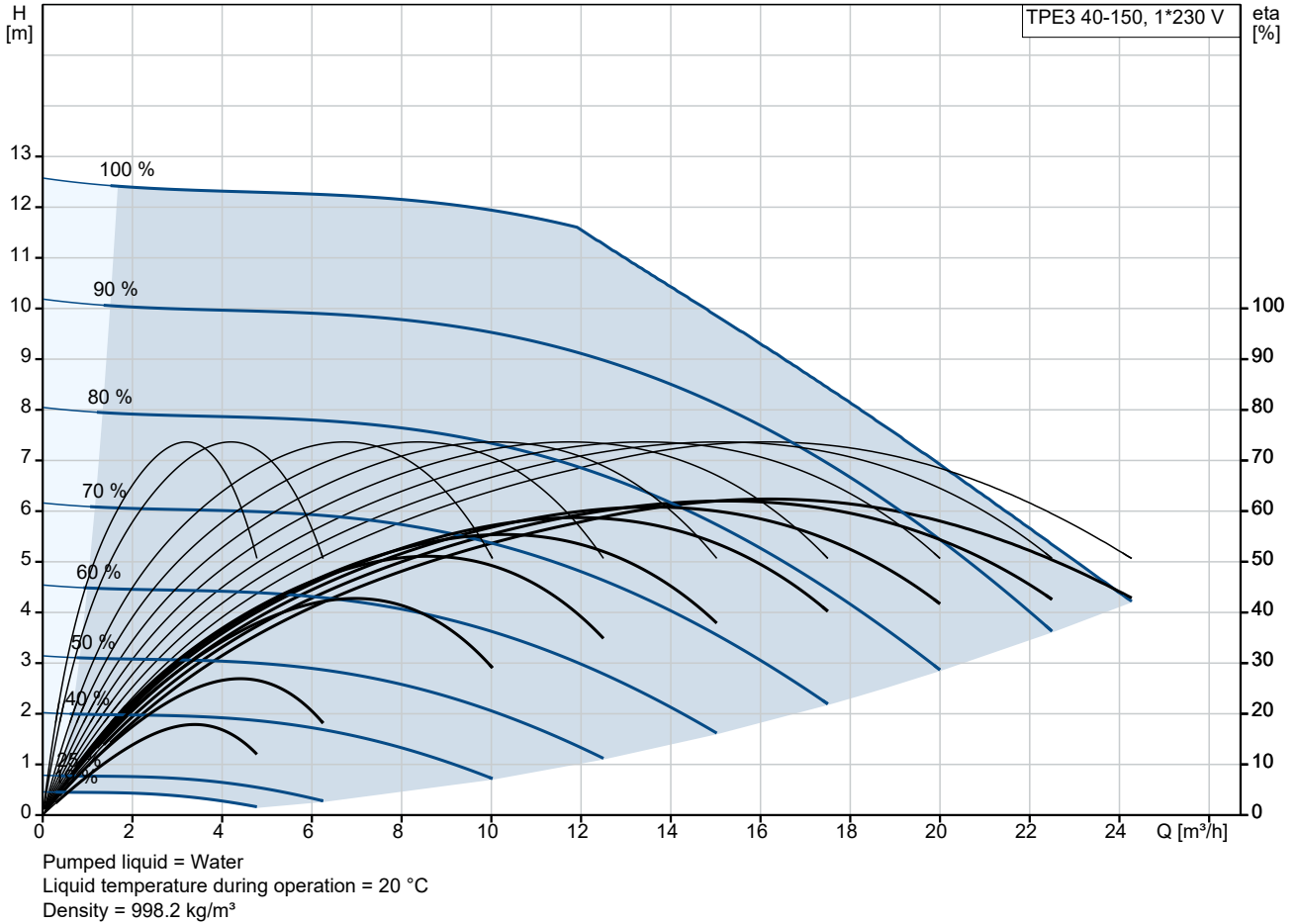


**Company name:** national pumps and boilers  
**Created by:**  
**Phone:** 01539 729395  
**Email:** info@nationlapumpsandboilers.co.uk  
**Date:** 04/01/2024

**Project:**  
**Reference Number:**

**Client:**  
**Client Number:**  
**Contact:**

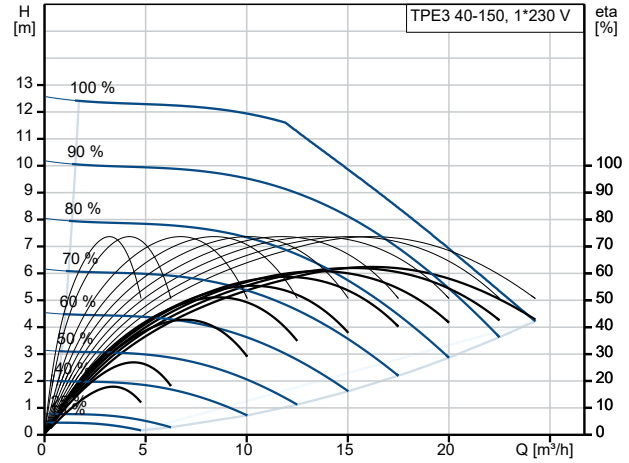
## 99272241 TPE3 40-150 S-A-F-A-BQQE-EYB



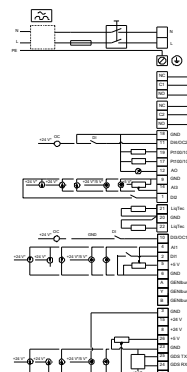
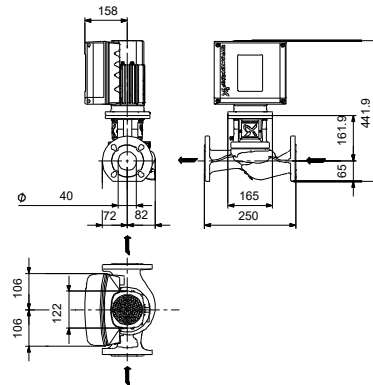
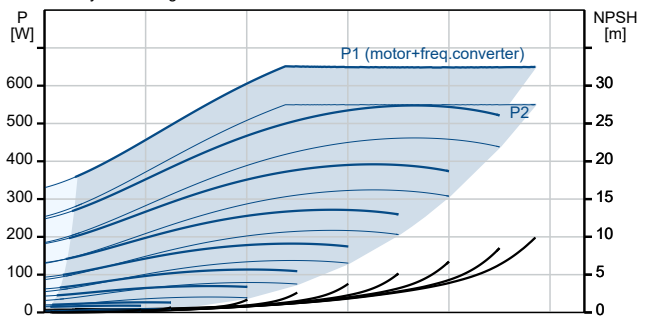
**Project:**  
**Reference Number:**

**Client:**  
**Client Number:**  
**Contact:**

Description	Value
<b>General information:</b>	
Product name:	TPE3 40-150 S-A-F-A-BQQE-EYB
Product No:	99272241
EAN number:	5713826360931
<b>Technical:</b>	
Pump speed on which pump data are based:	3900 rpm
Rated flow:	16.1 m <sup>3</sup> /h
Rated head:	9.3 m
Maximum head:	150 dm
Actual impeller diameter:	74 mm
Code for shaft seal:	BQQE
Curve tolerance:	ISO9906:2012 3B2
Pump version:	A
<b>Materials:</b>	
Pump housing:	Cast iron
Pump housing:	EN-GJL-250
Pump housing:	ASTM class 35
Impeller:	Composite
Impeller:	PES+30% GF
Material code:	A
<b>Installation:</b>	
Range of ambient temperature:	-20 .. 50 °C
Maximum operating pressure:	10 bar
Max pressure at stated temp:	10 bar / 120 °C
Type of connection:	DIN
Size of connection:	DN 40
Pressure rating for connection:	PN 6/10
Port-to-port length:	250 mm
Flange size for motor:	56C
Connect code:	F
<b>Liquid:</b>	
Pumped liquid:	Water
Liquid temperature range:	-25 .. 120 °C
Selected liquid temperature:	20 °C
Density:	998.2 kg/m <sup>3</sup>
<b>Electrical data:</b>	
Motor type:	71A
Rated power - P2:	0.55 kW
Mains frequency:	50 / 60 Hz
Rated voltage:	1 x 200-240 V
Rated current:	3.45-2.90 A
Cos phi - power factor:	0.98
Rated speed:	360-4000 rpm
IE Efficiency class:	IE5
Motor efficiency at full load:	85.3 %
Enclosure class (IEC 34-5):	IP55
Insulation class (IEC 85):	F
Built-in motor protection:	ELEC
Motor No:	99137985
<b>Controls:</b>	
Control panel:	HMI300 - Graphical
Function Module:	FM300 - Advanced
Frequency converter:	Built-in



Pumped liquid = Water  
 Liquid temperature during operation = 20 °C  
 Density = 998.2 kg/m<sup>3</sup>





**Company name:** national pumps and boilers  
**Created by:**  
**Phone:** 01539 729395  
**Email:** info@nationlapumpsandboilers.co.uk  
**Date:** 04/01/2024

**Project:**  
**Reference Number:**

**Client:**  
**Client Number:**  
**Contact:**

Description	Value
<b>Others:</b>	
Minimum efficiency index, MEI ≥:	0.70
Net weight:	22.6 kg
Gross weight:	29.8 kg
Shipping volume:	0.104 m <sup>3</sup>
Config. file no:	98481392
Danish VVS No.:	381601150
Swedish RSK No.:	5745875
Finnish LVI No.:	4616188
Norwegian NRF no.:	9043457
Country of origin:	HU
Custom tariff no.:	84137051

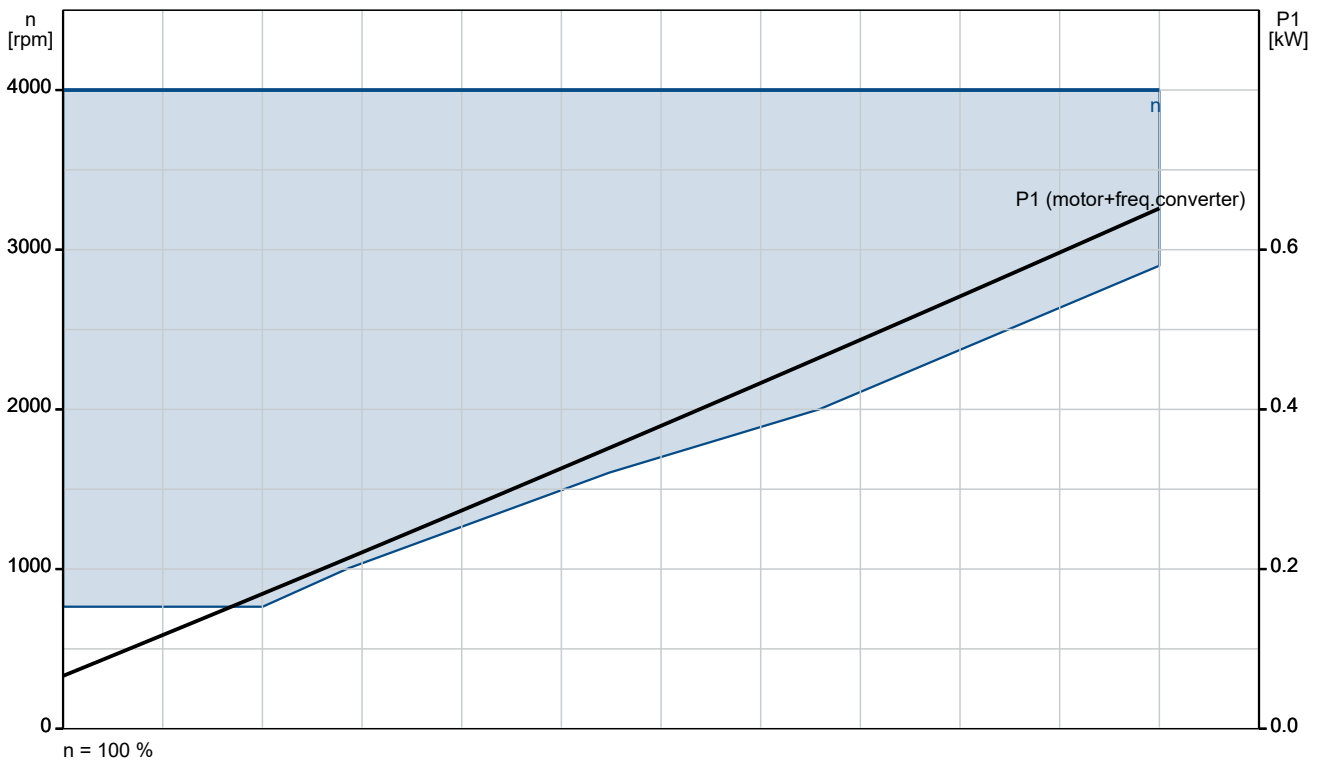
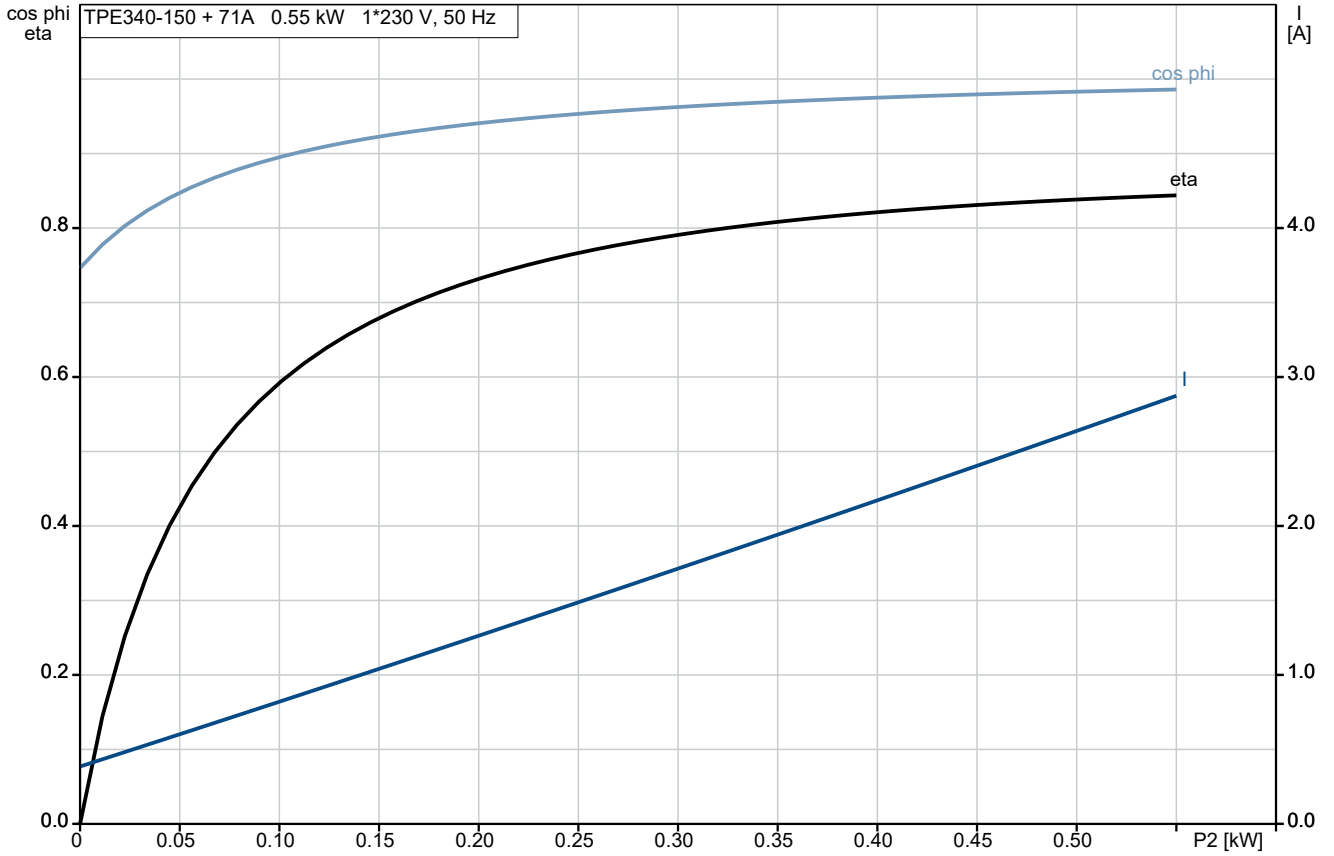


**Company name:** national pumps and boilers  
**Created by:**  
**Phone:** 01539 729395  
**Email:** info@nationlapumpsandboilers.co.uk  
**Date:** 04/01/2024

**Project:**  
**Reference Number:**

**Client:**  
**Client Number:**  
**Contact:**

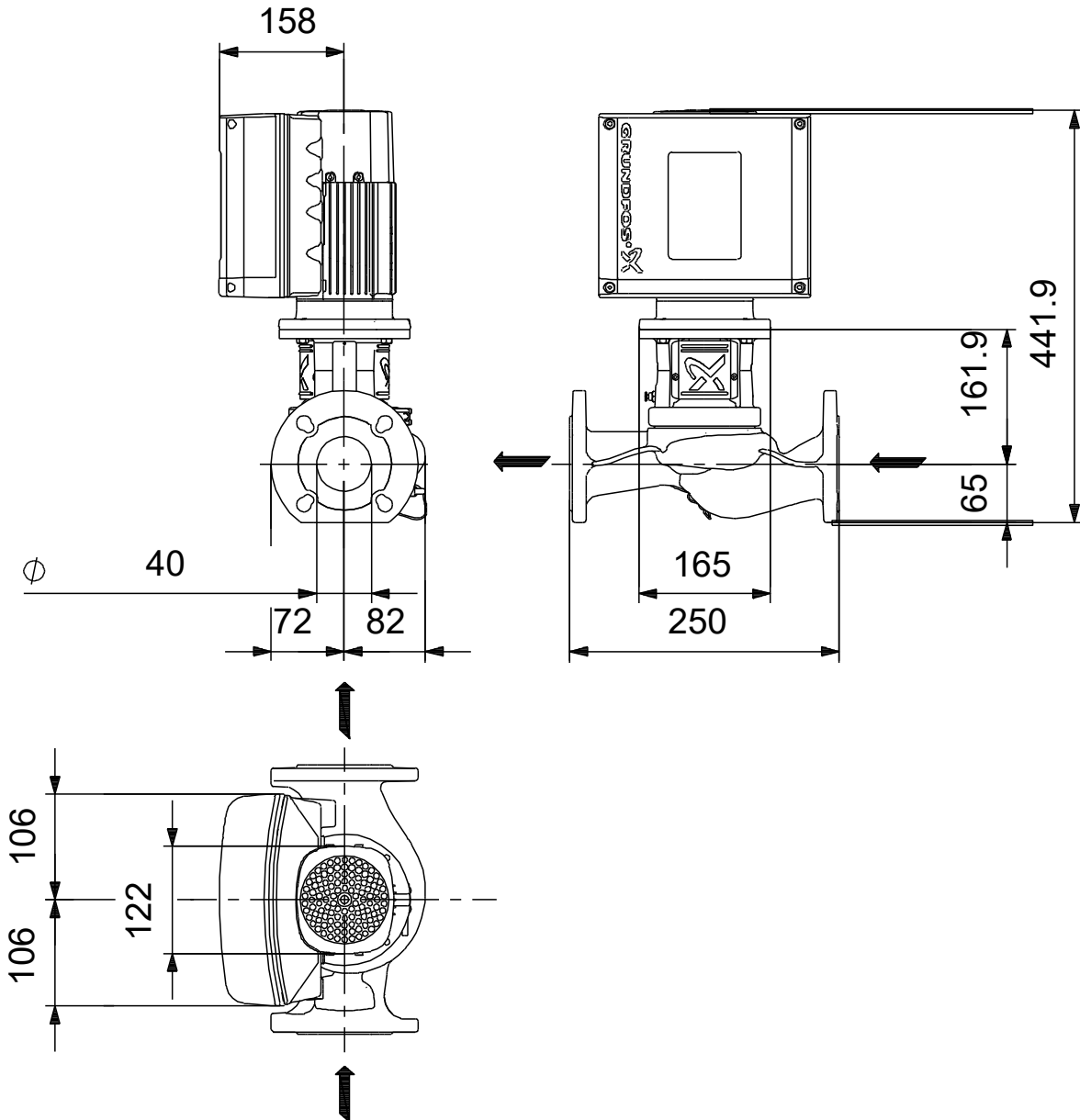
## 99272241 TPE3 40-150 S-A-F-A-BQQE-EYB



Project:  
 Reference Number:

Client:  
 Client Number:  
 Contact:

**99272241 TPE3 40-150 S-A-F-A-BQQE-EYB**

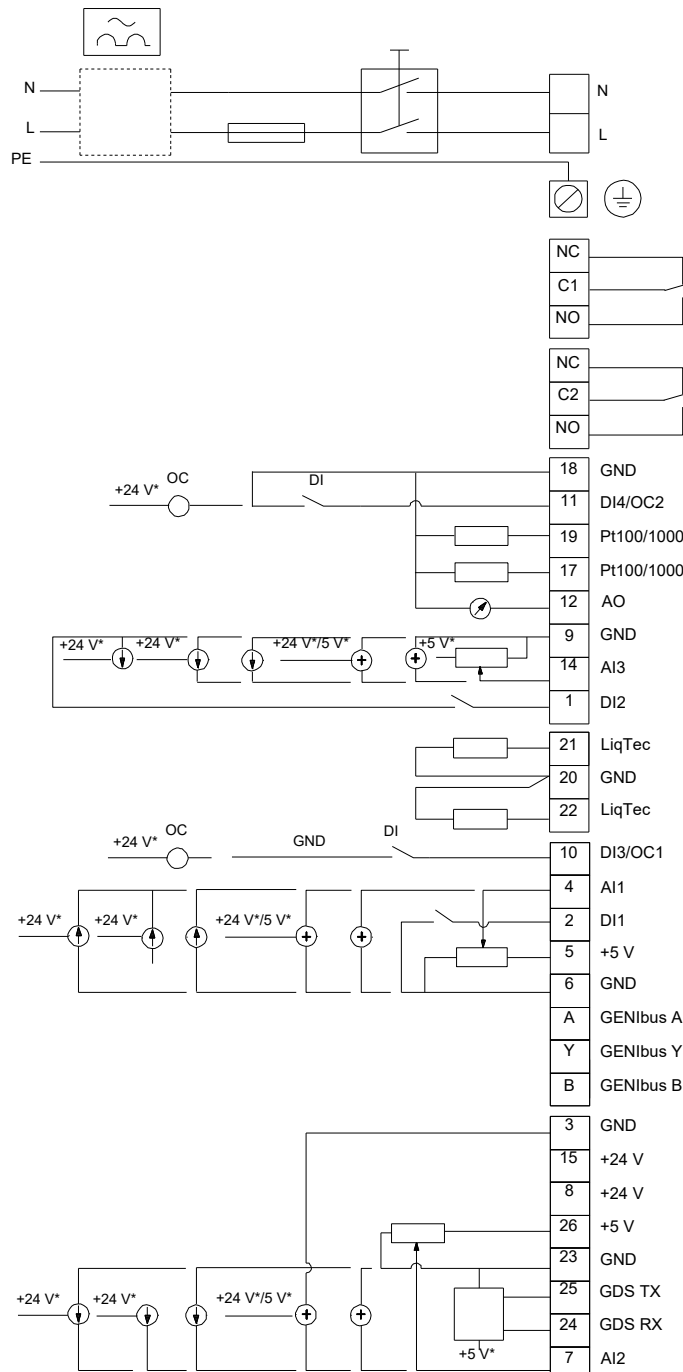


Note! All units are in [mm] unless others are stated.  
 Disclaimer: This simplified dimensional drawing does not show all details.

**Project:**  
**Reference Number:**

**Client:**  
**Client Number:**  
**Contact:**

## 99272241 TPE3 40-150 S-A-F-A-BQQE-EYB



Note! All units are in [mm] unless others are stated.