

Project:
Reference Number:

Client:
Client Number:
Contact:

Qty.	Description
1	<p data-bbox="199 436 582 470">TPE3 40-200 S-A-F-A-BQQE-GYC</p> <div data-bbox="271 481 518 795" style="text-align: center;">  </div> <p data-bbox="590 772 1061 806" style="text-align: center;">Note! Product picture may differ from actual product</p> <p data-bbox="199 817 470 851">Product No.: 99272253</p> <p data-bbox="199 873 1436 952">Single-stage, close-coupled, volute pump with in-line suction and discharge ports of identical diameter. The pump is of the top-pull-out design, i.e. the power head (motor, pump head and impeller) can be removed for maintenance or service while the pump housing remains in the pipework.</p> <p data-bbox="199 963 1380 1019">The shaft seal is according to EN 12756. Pipework connection is via PN 6/10 DIN flanges (EN 1092-2 and ISO 7005-2).</p> <p data-bbox="199 1019 1452 1075">The pump is fitted with a fan-cooled, permanent-magnet synchronous motor. The motor efficiency is classified as IE5 in accordance with IEC 60034-30-2.</p> <p data-bbox="199 1075 1444 1153">The motor includes a frequency converter and PI controller in the motor terminal box. This enables continuously variable control of the motor speed, which again enables adaptation of the performance to a given requirement. The pump is fitted with a combined temperature- and differential pressure sensor.</p> <p data-bbox="199 1164 646 1220"> Controls: Frequency converter: Built-in </p> <p data-bbox="199 1254 710 1400"> Liquid: Pumped liquid: Water Liquid temperature range: -25 .. 120 °C Selected liquid temperature: 20 °C Density: 998.2 kg/m³ </p> <p data-bbox="199 1433 821 1646"> Technical: Pump speed on which pump data are based: 5000 rpm Rated flow: 20.5 m³/h Rated head: 14.9 m Actual impeller diameter: 74 mm Code for shaft seal: BQQE Curve tolerance: ISO9906:2012 3B2 </p> <p data-bbox="199 1680 734 1859"> Materials: Pump housing: Cast iron EN-GJL-250 ASTM class 35 Impeller: Composite PES+30% GF </p> <p data-bbox="199 1892 734 2105"> Installation: Range of ambient temperature: -20 .. 50 °C Maximum operating pressure: 10 bar Max pressure at stated temp: 10 bar / 120 °C Type of connection: DIN Size of connection: DN 40 Pressure rating for connection: PN 6/10 </p>



Company name: national pumps and boilers
Created by:
Phone: 01539 729395
Email: info@nationlapumpsandboilers.co.uk
Date: 04/01/2024

Project:
Reference Number:

Client:
Client Number:
Contact:

Qty.	Description
1	Port-to-port length: 250 mm Flange size for motor: 56C Electrical data: Motor type: 80A Rated power - P2: 1.1 kW Mains frequency: 50 / 60 Hz Rated voltage: 1 x 200-240 V Rated current: 6.80-5.70 A Cos phi - power factor: 0.99 Rated speed: 480-5900 rpm IE Efficiency class: IE5 Motor efficiency at full load: 85.7 % Enclosure class (IEC 34-5): IP55 Insulation class (IEC 85): F Motor No: 99138025 Others: Minimum efficiency index, MEI \geq : 0.70 Net weight: 22.6 kg Gross weight: 29.8 kg Shipping volume: 0.104 m ³ Danish VVS No.: 381601200 Swedish RSK No.: 5745877 Finnish LVI No.: 4616190 Norwegian NRF no.: 9043459

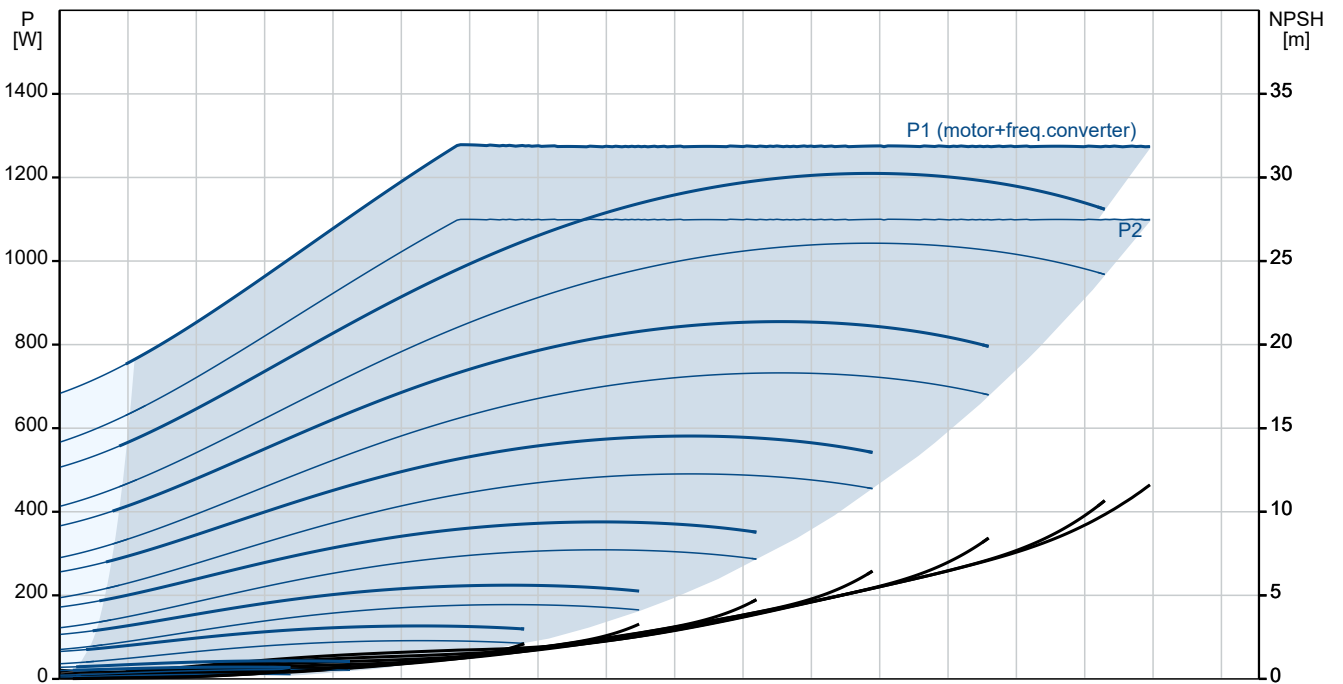
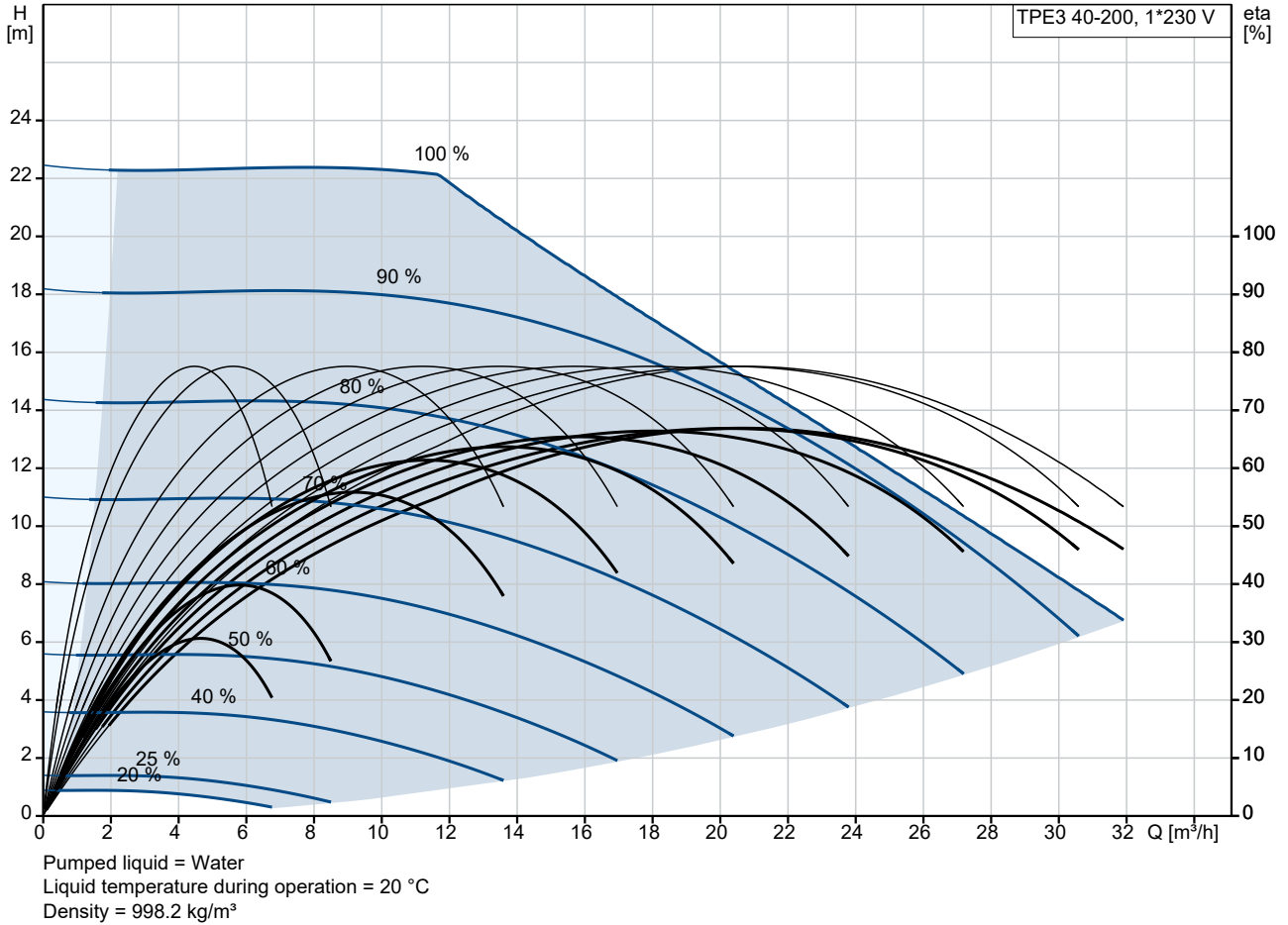


Company name: national pumps and boilers
Created by:
Phone: 01539 729395
Email: info@nationlapumpsandboilers.co.uk
Date: 04/01/2024

Project:
Reference Number:

Client:
Client Number:
Contact:

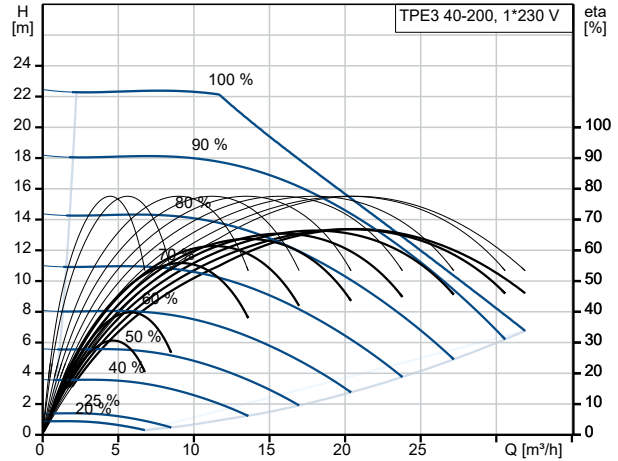
99272253 TPE3 40-200 S-A-F-A-BQQE-GYC



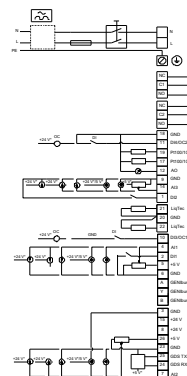
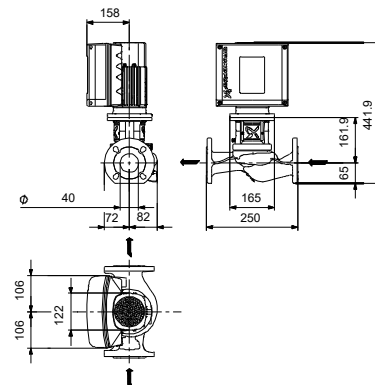
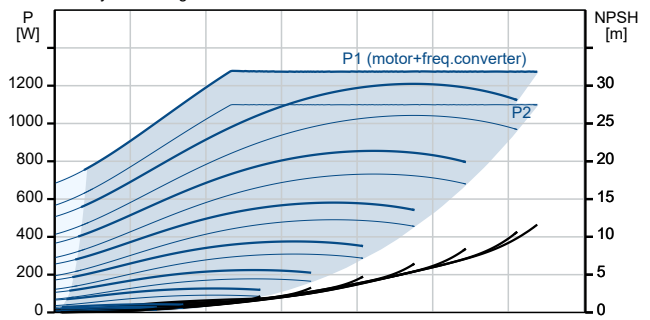
Project:
Reference Number:

Client:
Client Number:
Contact:

Description	Value
General information:	
Product name:	TPE3 40-200 S-A-F-A-BQQE-GYC
Product No:	99272253
EAN number:	5713826360979
Technical:	
Pump speed on which pump data are based:	5000 rpm
Rated flow:	20.5 m ³ /h
Rated head:	14.9 m
Maximum head:	200 dm
Actual impeller diameter:	74 mm
Code for shaft seal:	BQQE
Curve tolerance:	ISO9906:2012 3B2
Pump version:	A
Materials:	
Pump housing:	Cast iron
Pump housing:	EN-GJL-250
Pump housing:	ASTM class 35
Impeller:	Composite
Impeller:	PES+30% GF
Material code:	A
Installation:	
Range of ambient temperature:	-20 .. 50 °C
Maximum operating pressure:	10 bar
Max pressure at stated temp:	10 bar / 120 °C
Type of connection:	DIN
Size of connection:	DN 40
Pressure rating for connection:	PN 6/10
Port-to-port length:	250 mm
Flange size for motor:	56C
Connect code:	F
Liquid:	
Pumped liquid:	Water
Liquid temperature range:	-25 .. 120 °C
Selected liquid temperature:	20 °C
Density:	998.2 kg/m ³
Electrical data:	
Motor type:	80A
Rated power - P2:	1.1 kW
Mains frequency:	50 / 60 Hz
Rated voltage:	1 x 200-240 V
Rated current:	6.80-5.70 A
Cos phi - power factor:	0.99
Rated speed:	480-5900 rpm
IE Efficiency class:	IE5
Motor efficiency at full load:	85.7 %
Enclosure class (IEC 34-5):	IP55
Insulation class (IEC 85):	F
Built-in motor protection:	ELEC
Motor No:	99138025
Controls:	
Control panel:	HMI300 - Graphical
Function Module:	FM300 - Advanced
Frequency converter:	Built-in



Pumped liquid = Water
 Liquid temperature during operation = 20 °C
 Density = 998.2 kg/m³





Company name: national pumps and boilers
Created by:
Phone: 01539 729395
Email: info@nationlapumpsandboilers.co.uk
Date: 04/01/2024

Project:
Reference Number:

Client:
Client Number:
Contact:

Description	Value
Others:	
Minimum efficiency index, MEI ≥:	0.70
Net weight:	22.6 kg
Gross weight:	29.8 kg
Shipping volume:	0.104 m ³
Config. file no:	98481394
Danish VVS No.:	381601200
Swedish RSK No.:	5745877
Finnish LVI No.:	4616190
Norwegian NRF no.:	9043459

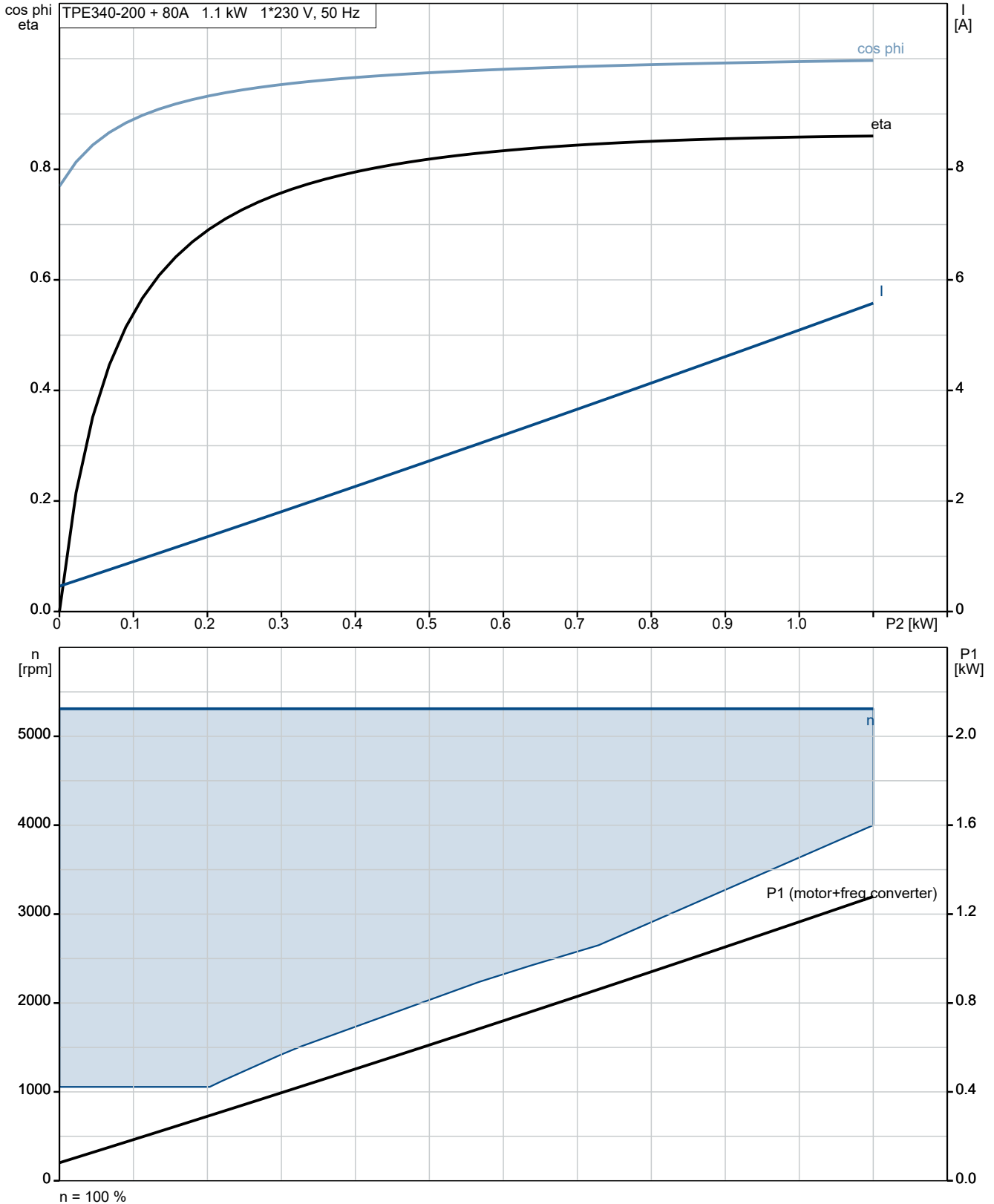


Company name: national pumps and boilers
Created by:
Phone: 01539 729395
Email: info@nationlapumpsandboilers.co.uk
Date: 04/01/2024

Project:
Reference Number:

Client:
Client Number:
Contact:

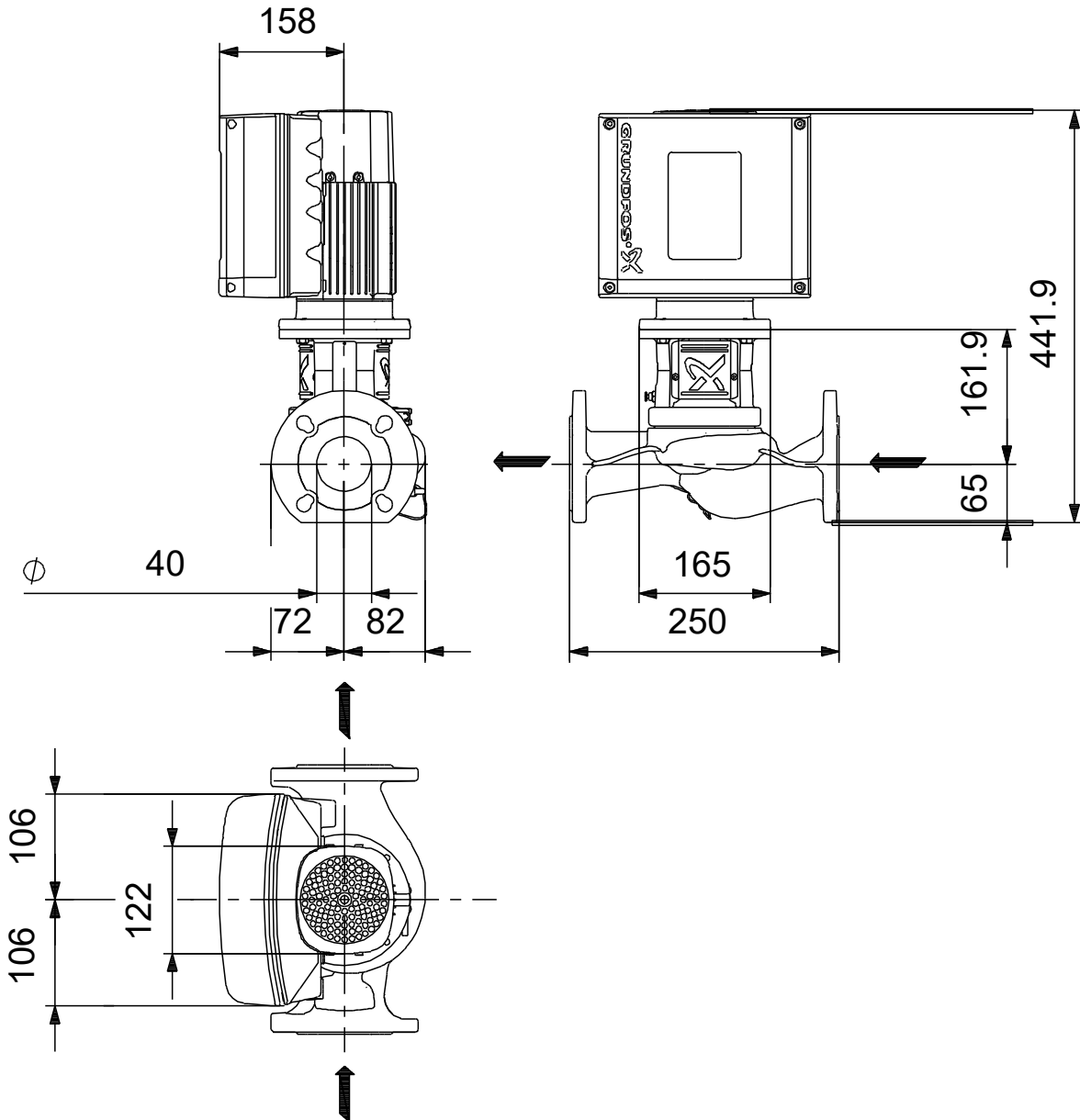
99272253 TPE3 40-200 S-A-F-A-BQQE-GYC



Project:
Reference Number:

Client:
Client Number:
Contact:

99272253 TPE3 40-200 S-A-F-A-BQQE-GYC

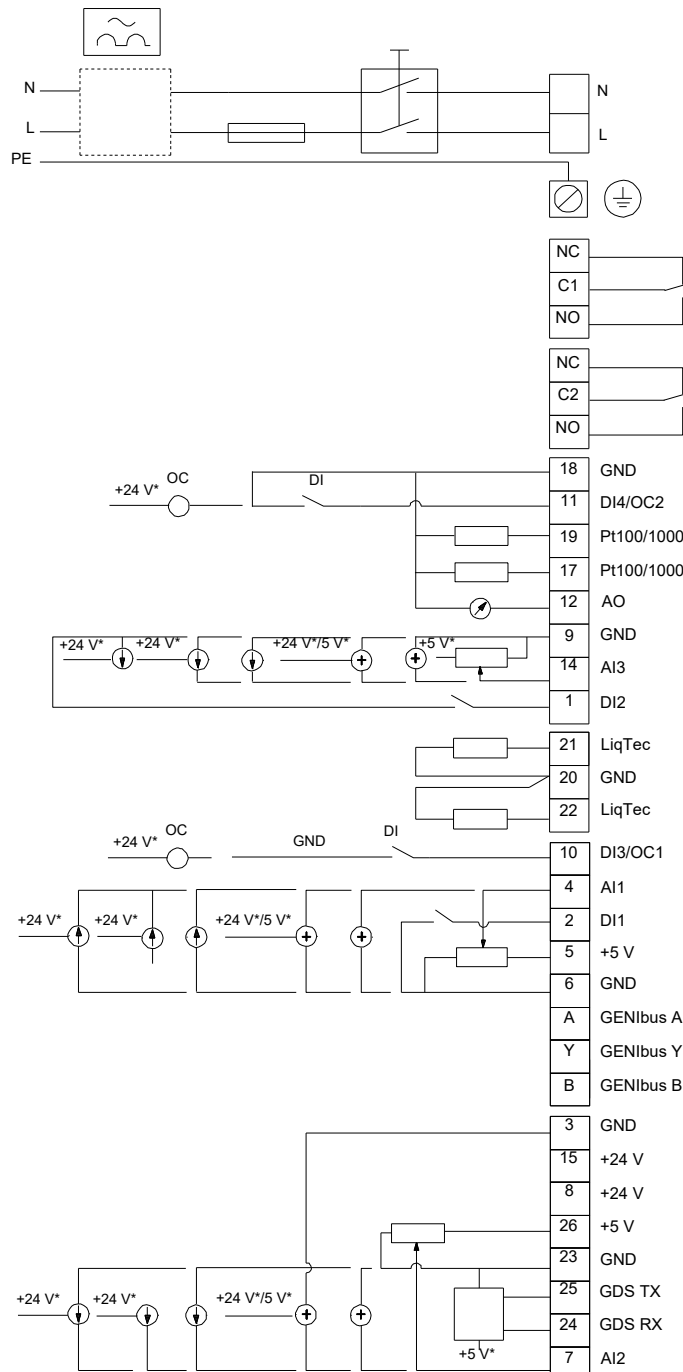


Note! All units are in [mm] unless others are stated.
 Disclaimer: This simplified dimensional drawing does not show all details.

Project:
Reference Number:

Client:
Client Number:
Contact:

99272253 TPE3 40-200 S-A-F-A-BQQE-GYC



Note! All units are in [mm] unless others are stated.