

**Qty. Description**

1 TP 32-30/4 A-F-A-BQQE-AW3



Note! Product picture may differ from actual product

 Product No.: [98957943](#)

Single-stage, close-coupled, volute pump with in-line suction and discharge ports of identical diameter. The pump is of the top-pull-out design, i.e. the power head (motor, pump head and impeller) can be removed for maintenance or service while the pump housing remains in the pipework.

The pump is fitted with an unbalanced rubber bellows seal. The shaft seal is according to EN 12756. Pipework connection is via PN 6/10 DIN flanges (EN 1092-2 and ISO 7005-2).

The pump is fitted with a fan-cooled asynchronous motor.

**Controls:**

Frequency converter: None

**Liquid:**

Pumped liquid: Water

Liquid temperature range: -25 .. 120 °C

Selected liquid temperature: 20 °C

 Density: 998.2 kg/m<sup>3</sup>
**Technical:**

Pump speed on which pump data are based: 1400 rpm

 Rated flow: 5.9 m<sup>3</sup>/h

Rated head: 1.8 m

Actual impeller diameter: 86 mm

Code for shaft seal: BQQE

Curve tolerance: ISO9906:2012 3B2

**Materials:**

 Pump housing: Cast iron  
 EN-GJL-250  
 ASTM class 35

 Impeller: Stainless steel  
 EN 1.4301  
 AISI 304

**Installation:**

Range of ambient temperature: -20 .. 40 °C

Maximum operating pressure: 10 bar

Max pressure at stated temp: 10 bar / 120 °C

Type of connection: DIN

Size of connection: DN 32

Pressure rating for connection: PN 6/10

Port-to-port length: 220 mm

Flange size for motor: FT75

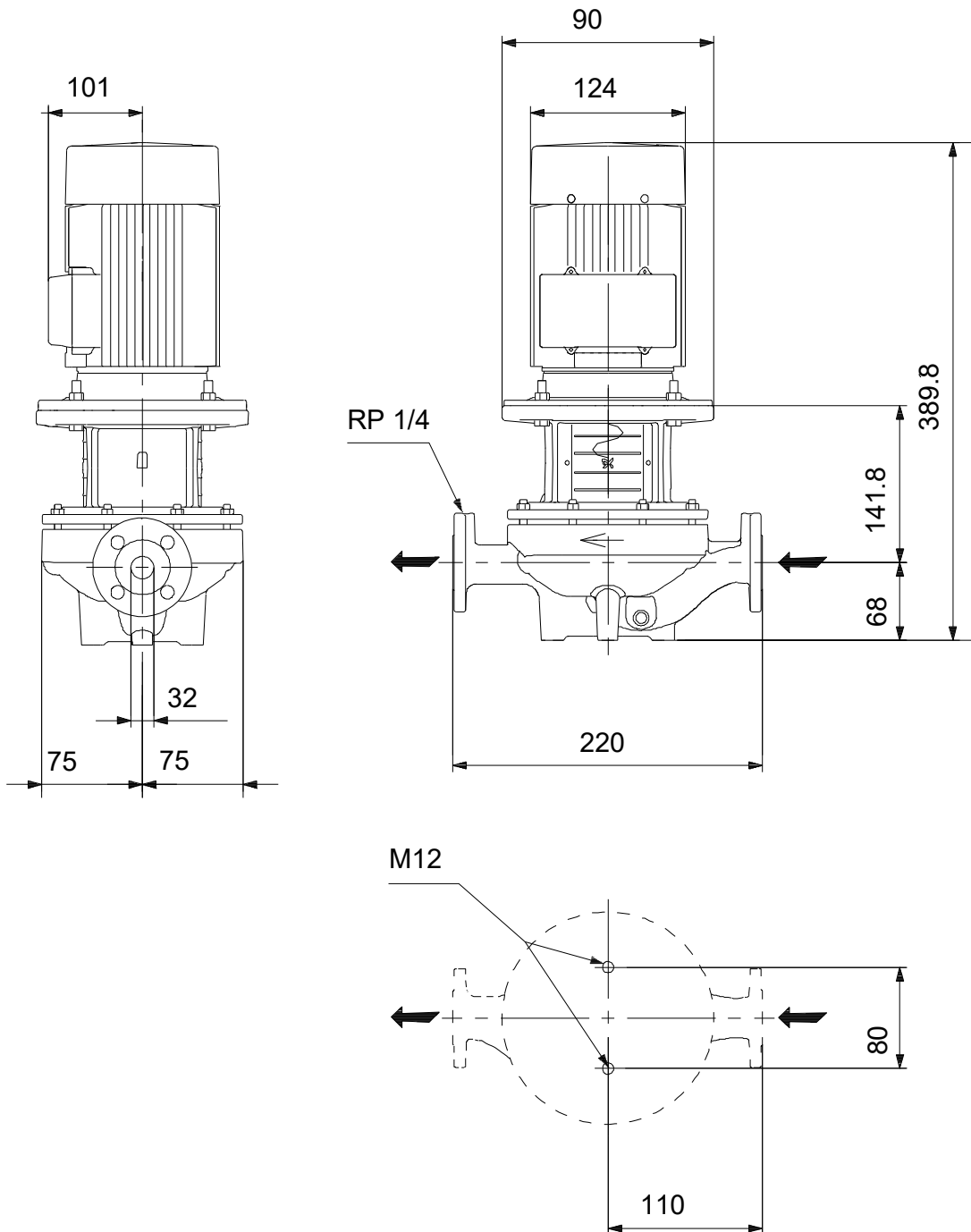
**Electrical data:**

Motor type: SIEMENS

**Qty. Description**

1	<p>Rated power - P2: 0.12 kW</p> <p>Mains frequency: 50 Hz</p> <p>Rated voltage: 3 x 220-240/380-415 V</p> <p>Rated current: 0,74-0,8/0,43-0,46 A</p> <p>Starting current: 310-310 %</p> <p>Cos phi - power factor: 0.66</p> <p>Rated speed: 1390 rpm</p> <p>IE efficiency: IE2 59,1%</p> <p>IE Efficiency class: IE2</p> <p>Motor efficiency at full load: 59.1-59.1 %</p> <p>Motor efficiency at 3/4 load: 56.4-56.4 %</p> <p>Motor efficiency at 1/2 load: 49-49 %</p> <p>Number of poles: 4</p> <p>Enclosure class (IEC 34-5): IP55</p> <p>Insulation class (IEC 85): F</p> <p>Motor No: 99995098</p> <p>Others:</p> <p>Net weight: 16 kg</p> <p>Gross weight: 19.5 kg</p> <p>Shipping volume: 0.08 m<sup>3</sup></p> <p>Danish VVS No.: 381821030</p> <p>Finnish LVI No.: 4616007</p> <p>Norwegian NRF no.: 9043529</p> <p>Country of origin: HU</p> <p>Custom tariff no.: 84137051</p>
---	--

**98957943 TP 32-30/4 A-F-A-BQQE-AW3 50 Hz**



Note! All units are in [mm] unless others are stated.  
Disclaimer: This simplified dimensional drawing does not show all details.