





**Company name:**

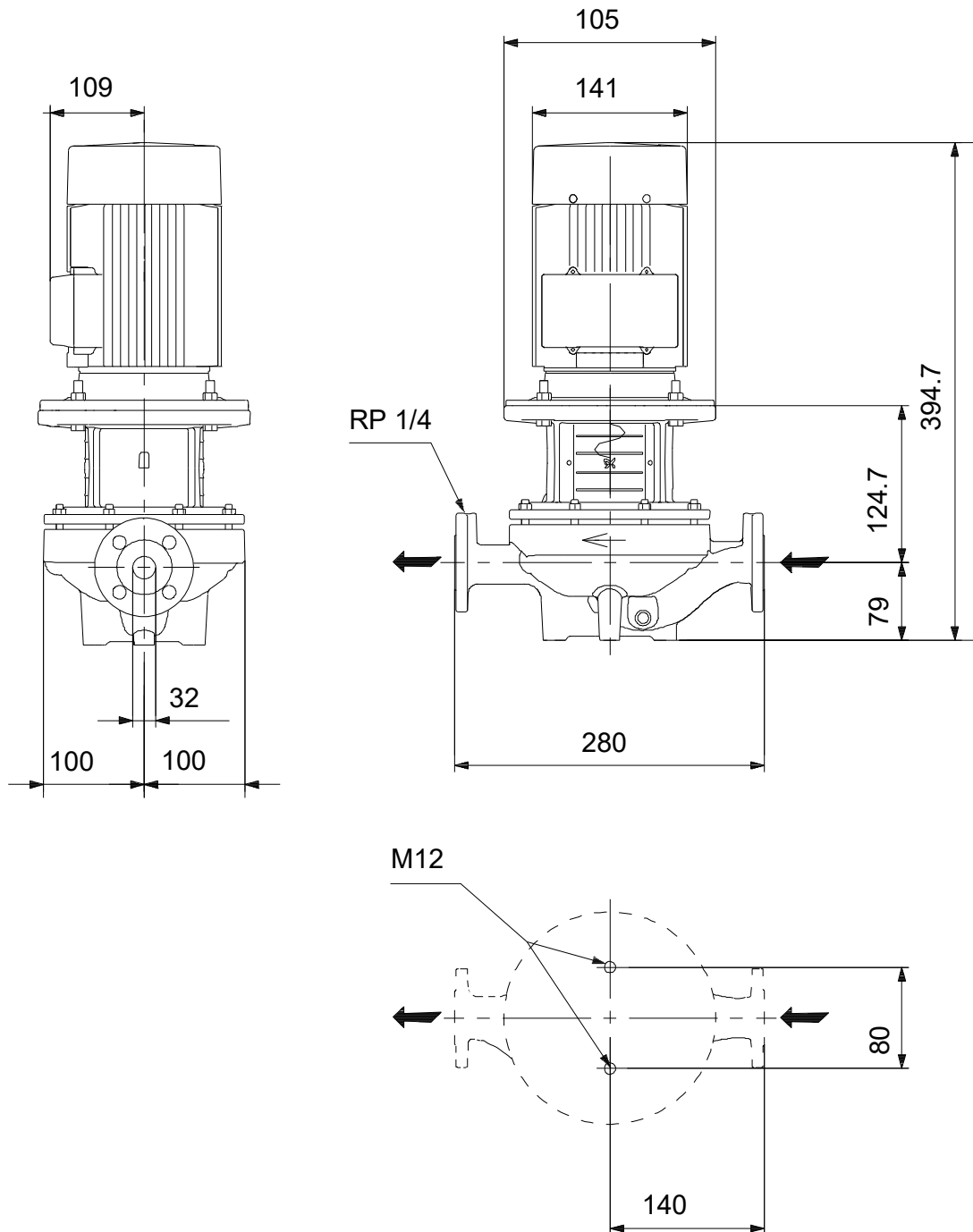
**Created by:**

**Phone:**

**Date:** 28/12/2023

Qty.	Description																																												
1	<table border="0"> <tr> <td>Rated power - P2:</td> <td>0.25 kW</td> </tr> <tr> <td>Mains frequency:</td> <td>50 Hz</td> </tr> <tr> <td>Rated voltage:</td> <td>3 x 220-240D/380-415Y V</td> </tr> <tr> <td>Rated current:</td> <td>1,30-1,42/0,75-0,82 A</td> </tr> <tr> <td>Starting current:</td> <td>410 %</td> </tr> <tr> <td>Cos phi - power factor:</td> <td>0.73-0.64</td> </tr> <tr> <td>Rated speed:</td> <td>1410-1430 rpm</td> </tr> <tr> <td>IE Efficiency class:</td> <td>IE2</td> </tr> <tr> <td>Motor efficiency at full load:</td> <td>72.4-70.0 %</td> </tr> <tr> <td>Motor efficiency at 3/4 load:</td> <td>72.6-67.3 %</td> </tr> <tr> <td>Motor efficiency at 1/2 load:</td> <td>68.3-60.0 %</td> </tr> <tr> <td>Number of poles:</td> <td>4</td> </tr> <tr> <td>Enclosure class (IEC 34-5):</td> <td>55 Dust/Jetting</td> </tr> <tr> <td>Insulation class (IEC 85):</td> <td>F</td> </tr> <tr> <td>Motor No:</td> <td>99928151</td> </tr> <tr> <td colspan="2">Others:</td> </tr> <tr> <td>Net weight:</td> <td>24.8 kg</td> </tr> <tr> <td>Gross weight:</td> <td>28.3 kg</td> </tr> <tr> <td>Shipping volume:</td> <td>0.08 m<sup>3</sup></td> </tr> <tr> <td>Danish VVS No.:</td> <td>381891060</td> </tr> <tr> <td>Country of origin:</td> <td>HU</td> </tr> <tr> <td>Custom tariff no.:</td> <td>84137051</td> </tr> </table>	Rated power - P2:	0.25 kW	Mains frequency:	50 Hz	Rated voltage:	3 x 220-240D/380-415Y V	Rated current:	1,30-1,42/0,75-0,82 A	Starting current:	410 %	Cos phi - power factor:	0.73-0.64	Rated speed:	1410-1430 rpm	IE Efficiency class:	IE2	Motor efficiency at full load:	72.4-70.0 %	Motor efficiency at 3/4 load:	72.6-67.3 %	Motor efficiency at 1/2 load:	68.3-60.0 %	Number of poles:	4	Enclosure class (IEC 34-5):	55 Dust/Jetting	Insulation class (IEC 85):	F	Motor No:	99928151	Others:		Net weight:	24.8 kg	Gross weight:	28.3 kg	Shipping volume:	0.08 m <sup>3</sup>	Danish VVS No.:	381891060	Country of origin:	HU	Custom tariff no.:	84137051
Rated power - P2:	0.25 kW																																												
Mains frequency:	50 Hz																																												
Rated voltage:	3 x 220-240D/380-415Y V																																												
Rated current:	1,30-1,42/0,75-0,82 A																																												
Starting current:	410 %																																												
Cos phi - power factor:	0.73-0.64																																												
Rated speed:	1410-1430 rpm																																												
IE Efficiency class:	IE2																																												
Motor efficiency at full load:	72.4-70.0 %																																												
Motor efficiency at 3/4 load:	72.6-67.3 %																																												
Motor efficiency at 1/2 load:	68.3-60.0 %																																												
Number of poles:	4																																												
Enclosure class (IEC 34-5):	55 Dust/Jetting																																												
Insulation class (IEC 85):	F																																												
Motor No:	99928151																																												
Others:																																													
Net weight:	24.8 kg																																												
Gross weight:	28.3 kg																																												
Shipping volume:	0.08 m <sup>3</sup>																																												
Danish VVS No.:	381891060																																												
Country of origin:	HU																																												
Custom tariff no.:	84137051																																												

**98958183 TP 32-60/4 A-F-Z-BQQE-CW3 50 Hz**



Note! All units are in [mm] unless others are stated.  
Disclaimer: This simplified dimensional drawing does not show all details.