

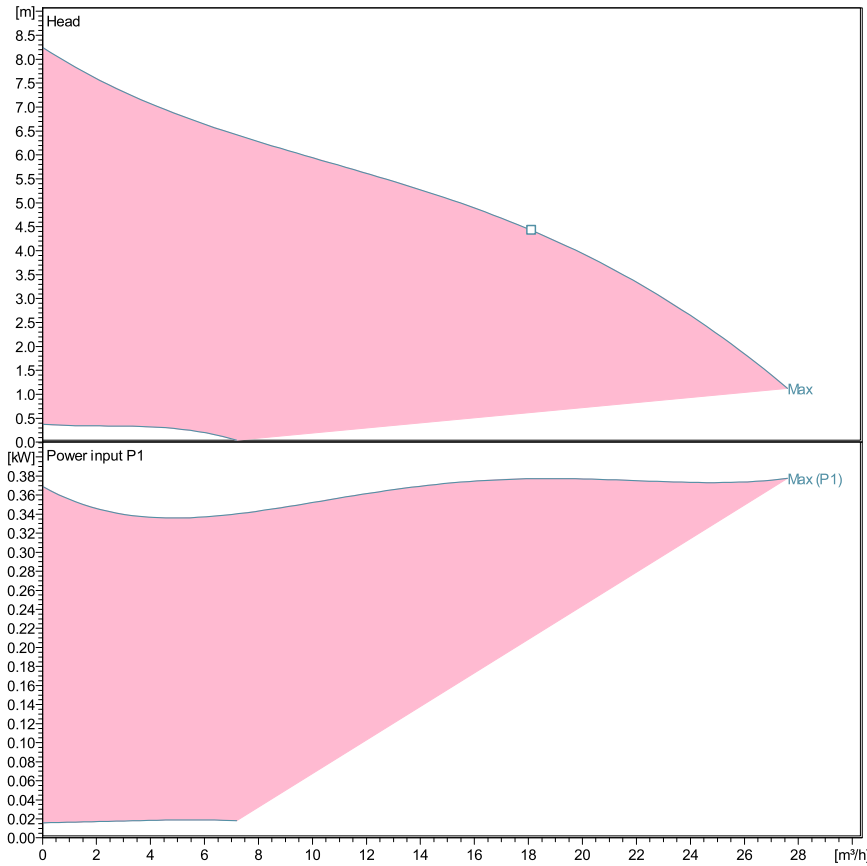


**Pump data**

Make	Lowara
Port to port (mm)	240
Electrical connection	Terminals
Specific EEI	<= 0,23
Nominal pressure	PN 6/10
Connection	Flanged / DN 50

**Electrical data**

Rated voltage	230 V
Frequency	50 / 60
Protection class	IP 44
Insulation class	F
Digital input	Contact load: 5V, 10 mA
Digital output	Vmax < 250 VAC / Imax < 2 A
Analog input	0-10 V / 4-20 mA
Leakage current	< 3.5 mA
Communication capabilities	No communication protocol
Sound pressure level	<= 48 dB(A)
Rated current	1.7 A



Performance according to ISO 9906:2012 – Grade 3B

Liquid temperature:

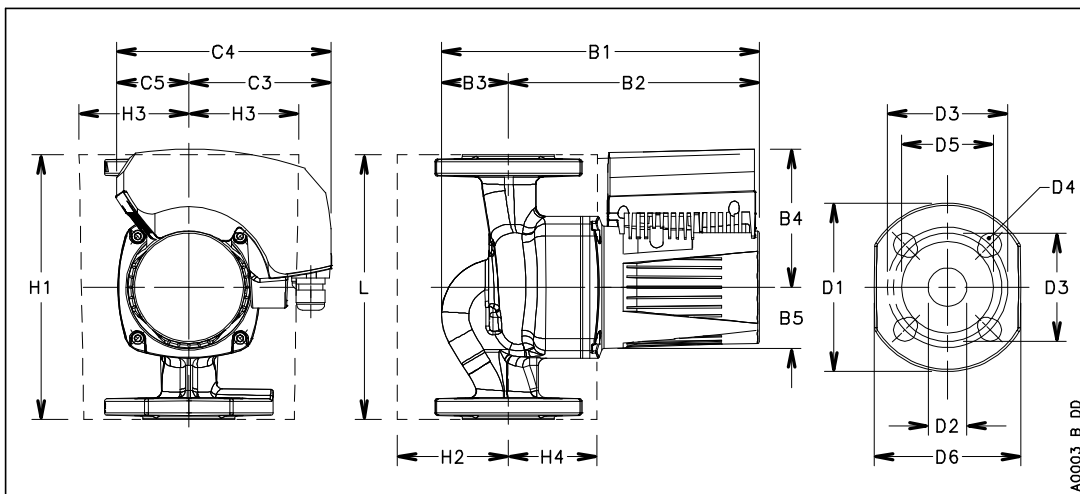
Power data referred to:  
Water [100%]; 4°C; 1000kg/m<sup>3</sup>; 1.57mm<sup>2</sup>/s

-10°C (14°F) to +110 °C (230°F) for heating pumps  
-10°C (14°F) to +85 °C (185°F) for domestic hot water pumps

**Materials**

Bush Bearing	Carbon, resin impregnated	IMPELLER	PPS
Thrust bearing	Aluminum oxide	WEAR RING	Stainless steel
Bearing plate	Stainless steel	Rotor can	Stainless steel
Motor housing	Aluminum	SHAFT	Stainless steel
O-rings	EPDM	Control box	Poly carbonate
PUMP HOUSING	Stainless steel		

**Dimensions mm**



B1	355
B2	261
B3	94
B4	132
B5	53
C3	128
C4	206
C5	78
D1	465
D2	50
D3	110/125
D4	4 x 14/19
D5	100
G	DN 50
Gross Weight	19.7
H1	280
H2	93
H3	93
H4	93
L	240
Net Weight	15.9