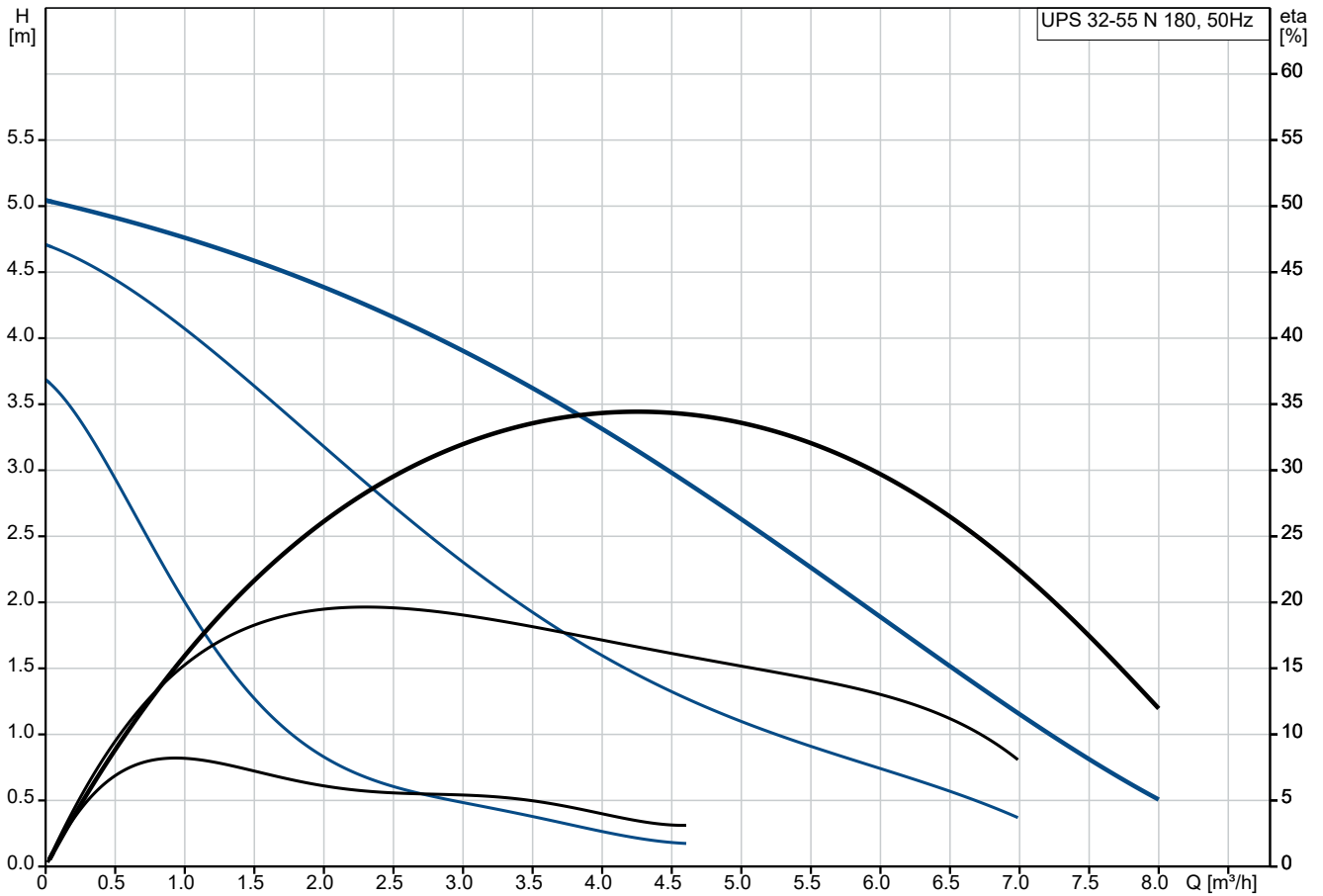
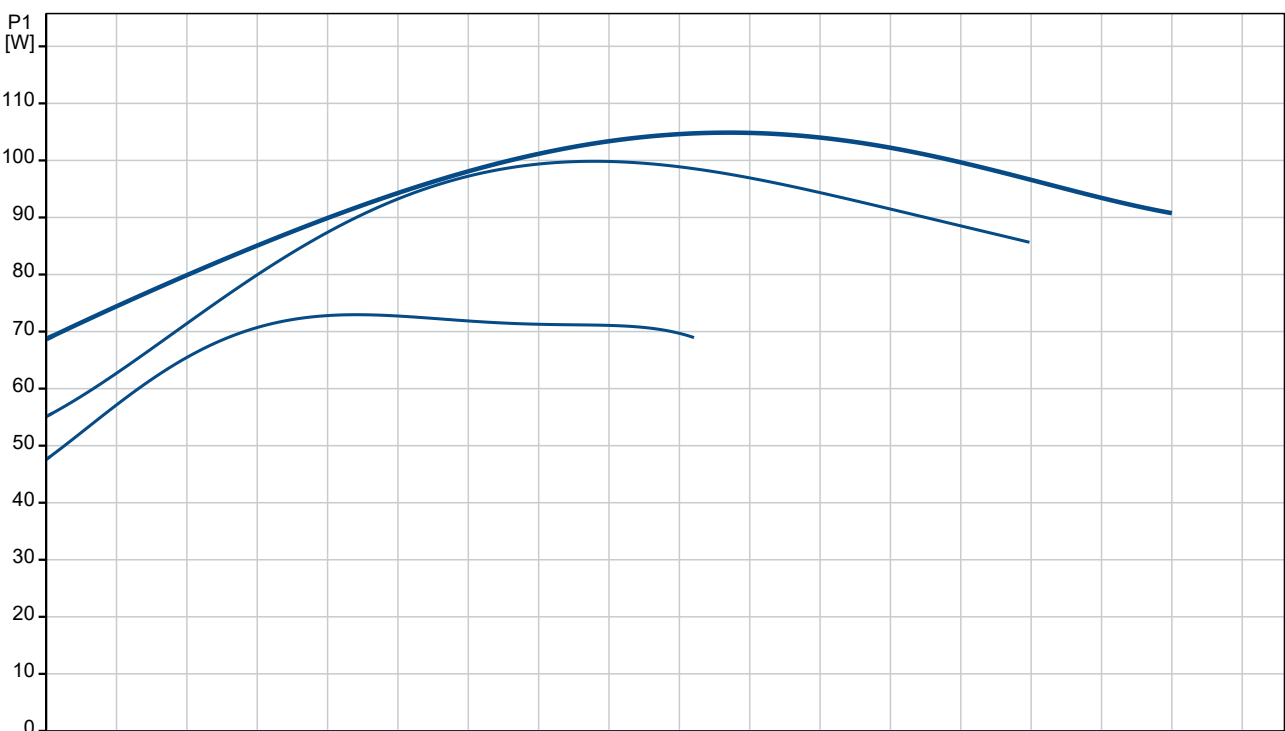


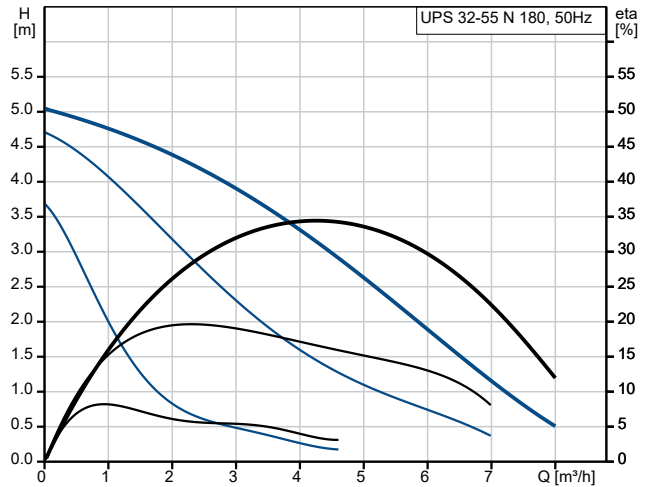
On request UPS 32-55 N 180 50 Hz



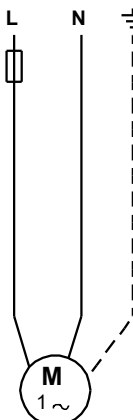
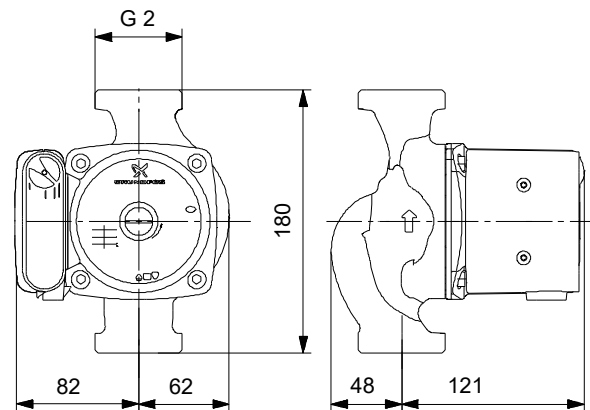
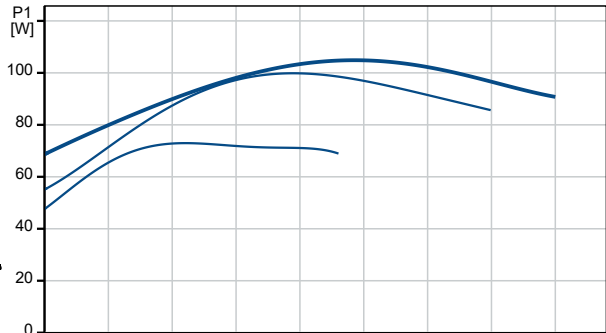
Pumped liquid = Water
Liquid temperature during operation = 60 °C
Density = 983.2 kg/m³



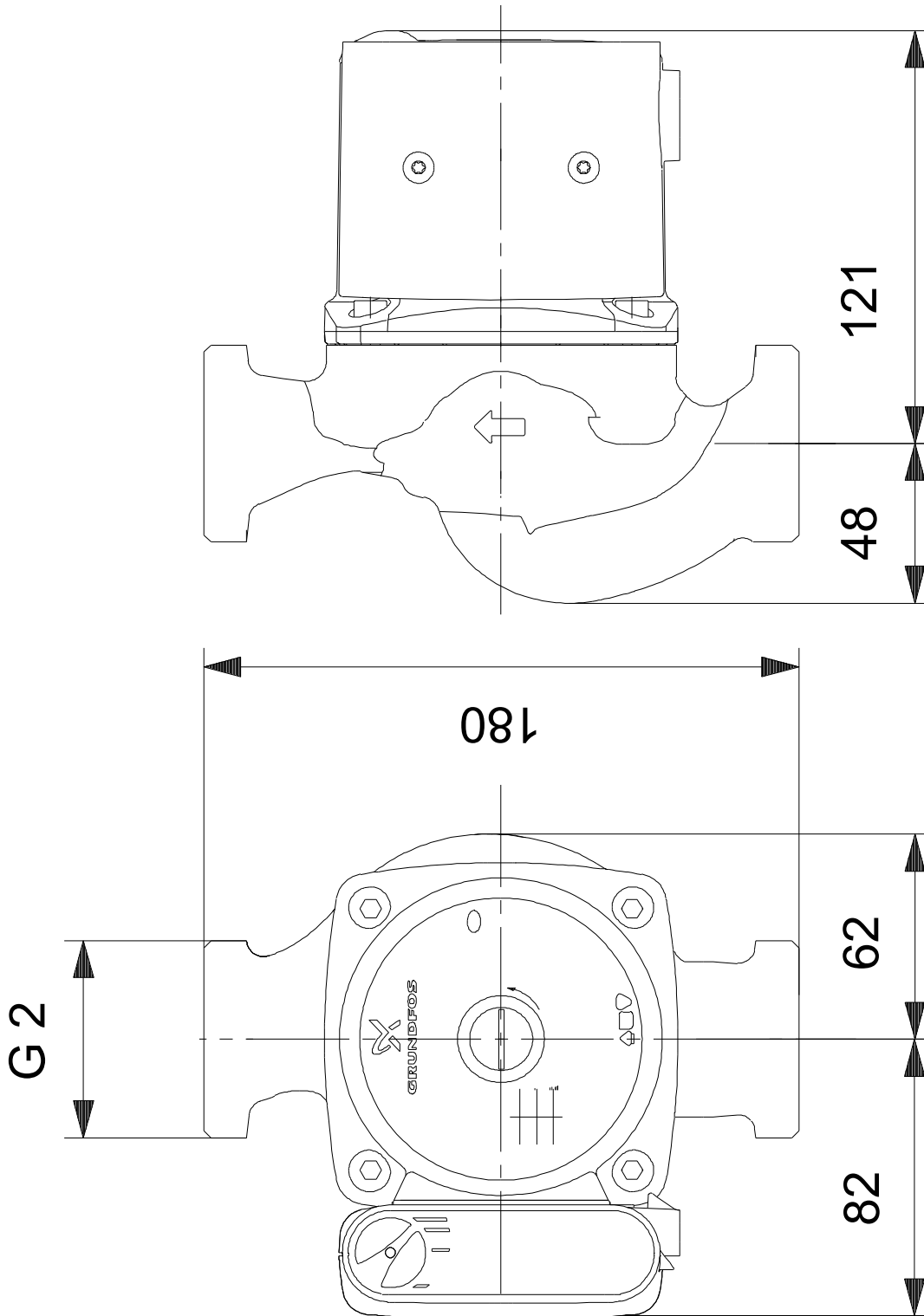
Description	Value
General information:	
Product name:	UPS 32-55 N 180
Product No:	On request
EAN number:	On request
Price:	GBP 1044
Technical:	
Speed no:	3
Rated flow:	4 m ³ /h
Rated head:	3.313 m
Maximum head:	55 dm
TF class:	110
Approvals:	CE, WEEE, UKCA
Materials:	
Pump housing:	Stainless steel
Pump housing:	EN 1.4308
Impeller:	Composite
Impeller:	PES+30% GF
Installation:	
Range of ambient temperature:	0 .. 40 °C
Amb. max at 80 dgr C liquid:	40 °C
Maximum operating pressure:	10 bar
Type of connection:	G
Size of connection:	2 inch
Pressure rating for connection:	PN 10
Port-to-port length:	180 mm
Liquid:	
Pumped liquid:	Water
Liquid temperature range:	-25 .. 110 °C
Selected liquid temperature:	60 °C
Density:	983.2 kg/m ³
Electrical data:	
Power input in speed 1:	75 W
Power input in speed 2:	100 W
Max. power input:	105 W
Mains frequency:	50 Hz
Rated voltage:	1 x 230 V
Current in speed 1:	0.32 A
Current in speed 2:	0.44 A
Current in speed 3:	0.46 A
Capacitor size - run:	2.5 µF
Enclosure class (IEC 34-5):	X2D
Insulation class (IEC 85):	F
Built-in motor protection:	CONTACT
Thermal protec:	internal
Others:	
Terminal box position:	9H
Net weight:	4.75 kg
Gross weight:	5.04 kg
Shipping volume:	0.008 m ³
Country code:	GB
Country of origin:	RS
Custom tariff no.:	84137030



Pumped liquid = Water
Liquid temperature during operation = 60 °C
Density = 983.2 kg/m³

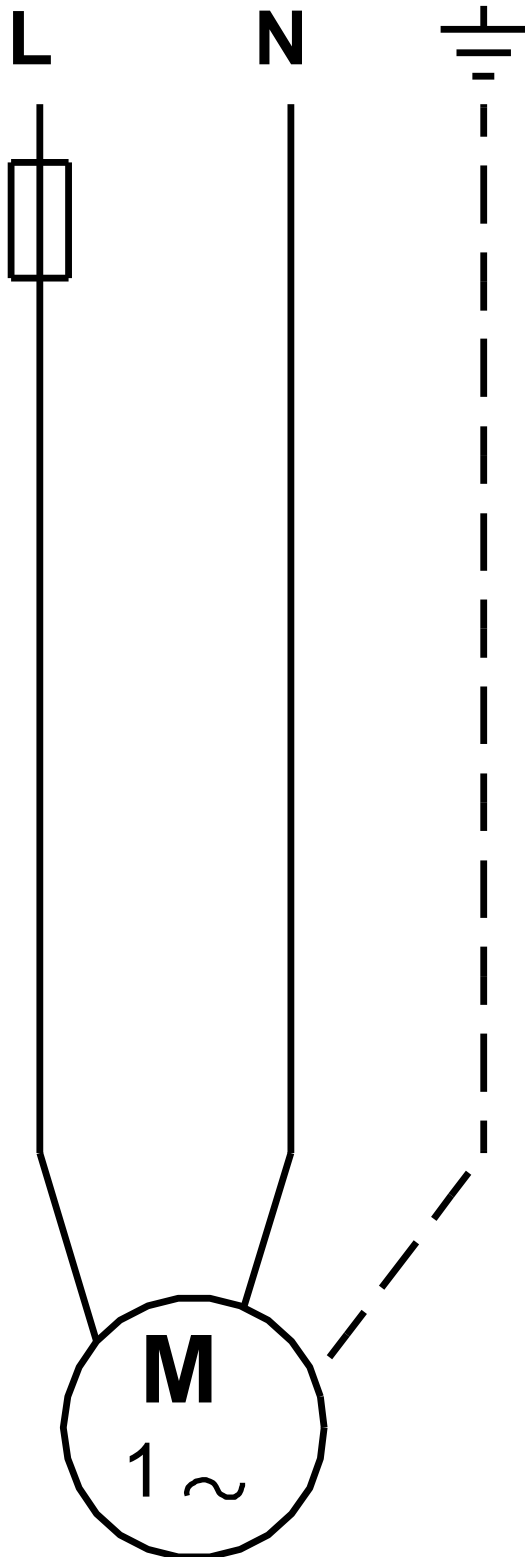


On request UPS 32-55 N 180 50 Hz



Note! All units are in [mm] unless others are stated.
Disclaimer: This simplified dimensional drawing does not show all details.

On request UPS 32-55 N 180 50 Hz



Note! All units are in [mm] unless others are stated.



Company name:

Created by:

Phone:

Date:

28/04/2023

Order Data:

Position	Your pos.	Product name	Amount	Product No	Total
		UPS 32-55 N 180	1	On request	Price on request