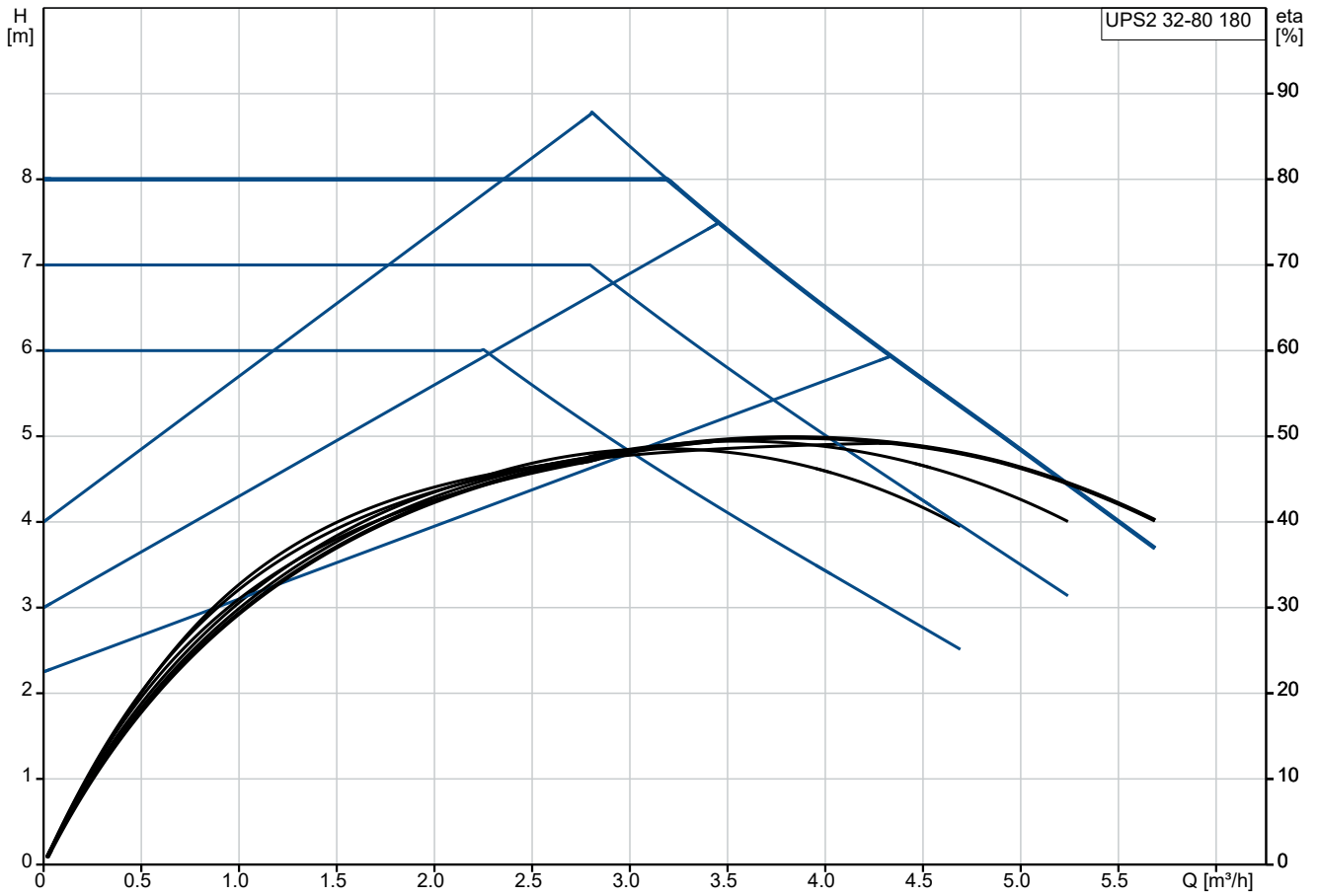
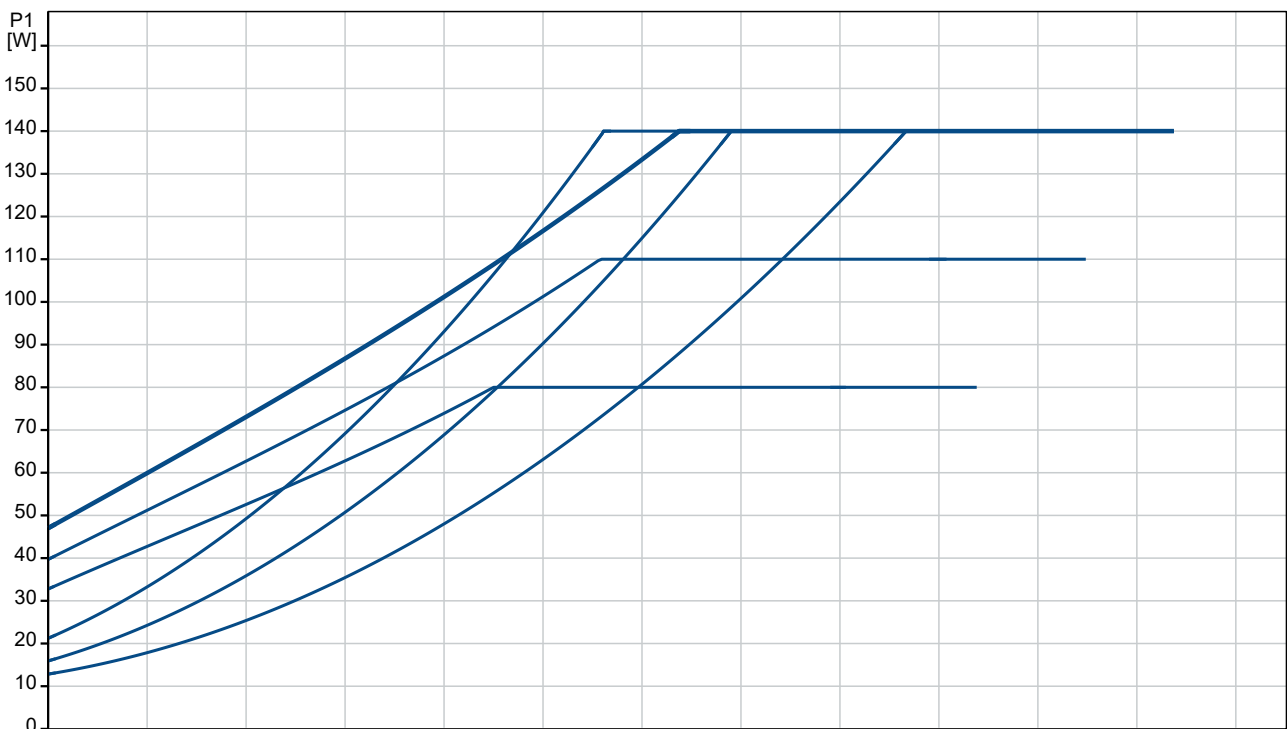


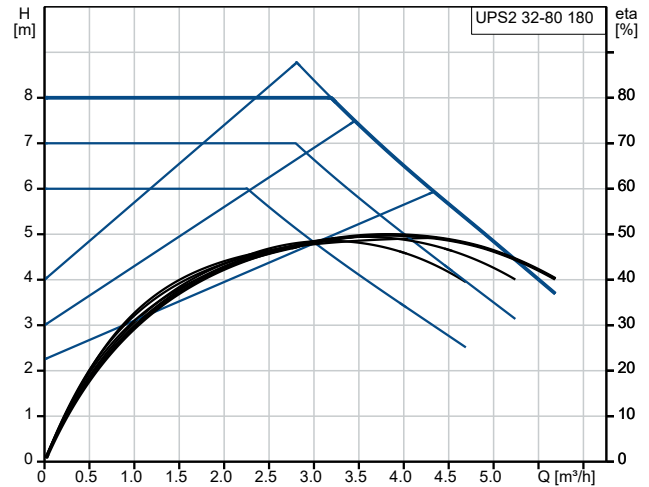
On request UPS2 32-80 180



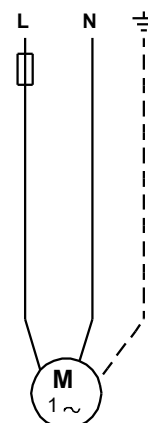
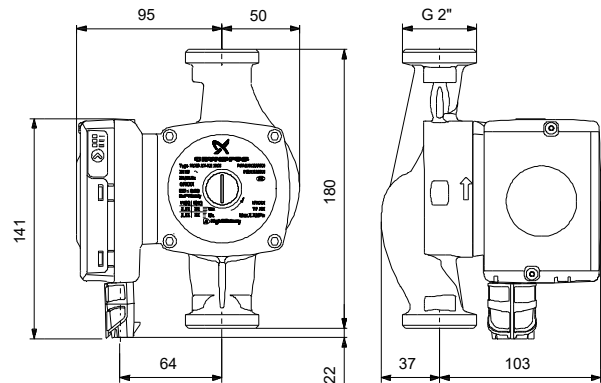
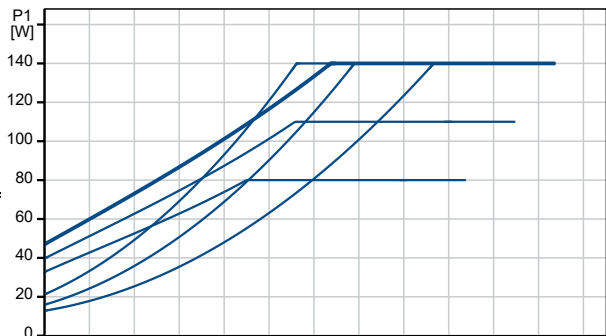
Pumped liquid = Water
 Liquid temperature during operation = 60 °C
 Density = 983.2 kg/m³



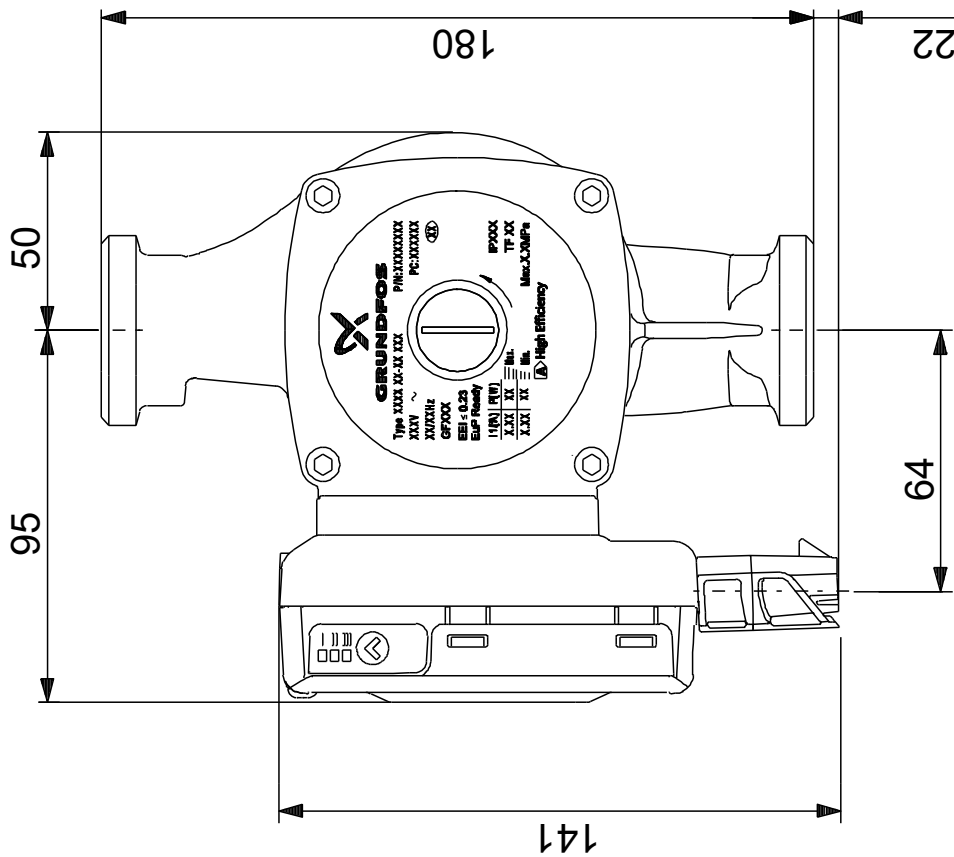
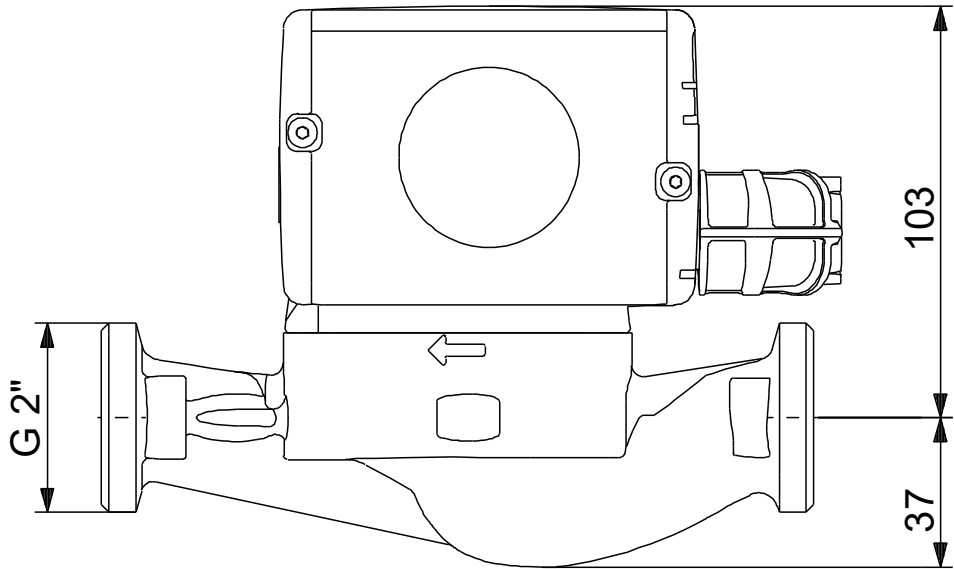
Description	Value
General information:	
Product name:	UPS2 32-80 180
Product No:	On request
EAN number:	On request
Technical:	
Rated flow:	3.81 m ³ /h
Rated head:	6.84 m
Maximum head:	80 dm
TF class:	95
Approvals:	CE, WEEE, UKCA
Materials:	
Pump housing:	Cast iron
Pump housing:	EN 1561 EN-GJL-150
Pump housing:	ASTM A48-25B
Impeller:	Composite
Impeller:	PES 30% GF + PESU-GF20%
Installation:	
Range of ambient temperature:	0 .. 40 °C
Maximum operating pressure:	10 bar
Type of connection:	G
Size of connection:	2 inch
Pressure rating for connection:	PN 10
Port-to-port length:	180 mm
Liquid:	
Pumped liquid:	Water
Liquid temperature range:	2 .. 95 °C
Selected liquid temperature:	60 °C
Density:	983.2 kg/m ³
Electrical data:	
Power input P1:	140 W
Mains frequency:	50 / 60 Hz
Rated voltage:	1 x 230 V
Maximum current consumption:	1.1 A
minimum current consumption:	0.1 A
Enclosure class (IEC 34-5):	X2D
Insulation class (IEC 85):	F
Built-in motor protection:	NONE
Thermal protec:	ELEC
Others:	
Energy (EEI):	0.23
Terminal box position:	9H
Net weight:	2.86 kg
Gross weight:	2.86 kg
Shipping volume:	0.004 m ³
Sales region:	GB
Country of origin:	RS
Custom tariff no.:	84137030



Pumped liquid = Water
 Liquid temperature during operation = 60 °C
 Density = 983.2 kg/m³

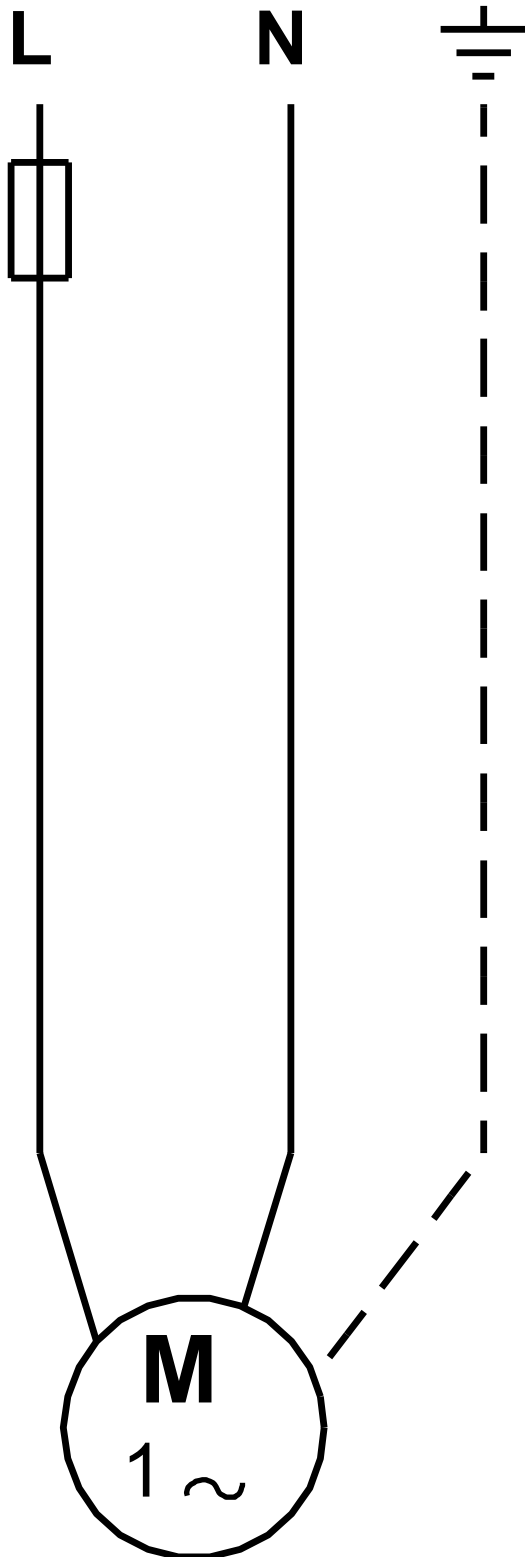


On request UPS2 32-80 180



Note! All units are in [mm] unless others are stated.
Disclaimer: This simplified dimensional drawing does not show all details.

On request UPS2 32-80 180



Note! All units are in [mm] unless others are stated.

