


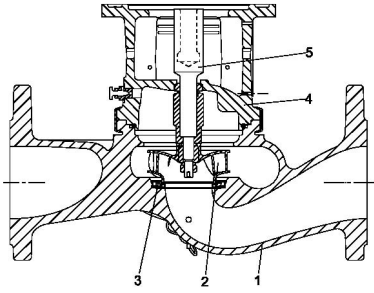
Project:
Reference Number:

Client:
Client Number:
Contact:

Qty.	Description
1	<p data-bbox="201 434 568 461">TPE3 32-180 S-A-F-I-BQQE-EYC</p> <div data-bbox="272 479 512 797" style="text-align: center;">  </div> <p data-bbox="592 779 1062 804" style="text-align: center;">Note! Product picture may differ from actual product</p> <p data-bbox="201 810 464 835">Product No.: 98416387</p> <p data-bbox="201 871 1436 947">Single-stage, close-coupled, volute pump with in-line suction and discharge ports of identical diameter. The pump is of the top-pull-out design, i.e. the power head (motor, pump head and impeller) can be removed for maintenance or service while the pump housing remains in the pipework.</p> <p data-bbox="201 956 1382 1010">The shaft seal is according to EN 12756. Pipework connection is via PN 6/10 DIN flanges (EN 1092-2 and ISO 7005-2).</p> <p data-bbox="201 1016 1450 1068">The pump is fitted with a fan-cooled, permanent-magnet synchronous motor. The motor efficiency is classified as IE5 in accordance with IEC 60034-30-2.</p> <p data-bbox="201 1075 1437 1173">The motor includes a frequency converter and PI controller in the motor terminal box. This enables continuously variable control of the motor speed, which again enables adaptation of the performance to a given requirement. The pump is fitted with a combined temperature- and differential pressure sensor. The stainless-steel pump housing makes the pump suitable for circulation of hot water.</p> <p data-bbox="201 1184 1422 1214">The pump is suitable for applications requiring pressure or temperature control and offers following control modes:</p> <ul data-bbox="240 1245 1453 1641" style="list-style-type: none"> - AUTOADAPT. This function continuously adjusts the proportional-pressure curve and automatically sets a more efficient curve without compromising comfort demands. - FLOWADAPT. This control mode combines AUTOADAPT with a flow-limiting function. The pump continuously monitors the flow rate to ensure the desired maximum flow is not exceeded. This will save the cost of a separate pump-throttling valve. - Constant differential pressure. The pump head is kept constant, independent of the flow in the system. - Proportional pressure. The head of the pump will increase proportionally to the flow in the system to compensate for the large pressure losses in the distribution pipes. - Constant temperature. The return-pipe temperature is kept constant. Note: If the pump is installed in the flow pipe, an external temperature sensor must be installed in the return pipe of the system. - Constant differential temperature. The differential temperature can be measured by a differential-temperature sensor or two separate temperature sensors. - Constant curve. The pump can be set to run at a constant speed in the range of 25 to 100 % of the maximum speed. <p data-bbox="201 1650 1449 1724">The product's minimum efficiency index (MEI) is greater or equal to 0.70. This is by the Commission Regulation (EU) considered as an indicative benchmark for best-performing water pump available on the market as from 1 January 2013.</p> <p data-bbox="201 1736 1442 1787">The operating panel on the motor terminal box features a four-inch TFT display, push-buttons and the Grundfos Eye indicator.</p> <p data-bbox="201 1796 963 1823">The display gives an intuitive and user-friendly interface to all functions.</p> <p data-bbox="201 1825 1458 1877">The push-buttons are used to navigate through the menu structure to access pump and performance data on site and enable setting of required setpoint as well as setting of pump to "Min." or "Max." operation or to "Stop".</p> <p data-bbox="201 1883 1190 1910">The Grundfos Eye indicator on the operating panel provides visual indication of pump status:</p> <ul data-bbox="240 1912 1458 2056" style="list-style-type: none"> • "Power on": Motor is running (rotating green indicator lights) or not running (permanently green indicator lights) • "Warning": Motor is still running (rotating yellow indicator lights) or has stopped (permanently yellow indicator lights) • "Alarm": Motor has stopped (flashing red indicator lights).

Project:
Reference Number:

Client:
Client Number:
Contact:

Qty.	Description
1	<p>Communication with the pump is also possible by means of Grundfos GO Remote (accessory). The remote control enables further settings as well as reading out of a number of parameters such as "Actual value", "Speed", "Power input" and total "Power consumption".</p> <p>Cast-iron parts have an epoxy-based coating made in a cathodic electro-deposition (CED) process. CED is a high-quality dip-painting process where an electrical field around the products ensures deposition of paint particles as a thin, well-controlled layer on the surface.</p> <p>Pump</p>  <p>1: Pump housing 2: Impeller 3: Neck ring 4: Pump head/motor stool 5: Stub shaft</p> <p>The pump housing is provided with a replaceable stainless steel/PTFE neck ring to reduce the amount of liquid running from the discharge side of the impeller to the suction side.</p> <p>The impeller is secured to the shaft with a nut.</p> <p>The pump is fitted with an unbalanced rubber bellows seal with torque transmission across the spring and around the bellows. Due to the bellows, the seal does not wear the shaft, and the axial movement is not prevented by deposits on the shaft.</p> <p>Seal faces:</p> <ul style="list-style-type: none"> • Rotating seal ring material: silicon carbide (SiC) • Stationary seat material: silicon carbide (SiC) <p>This material pairing is used where higher corrosion resistance is required. The high hardness of this material pairing offers good resistance against abrasive particles.</p> <p>Secondary seal material: EPDM (ethylene-propylene rubber) EPDM has excellent resistance to hot water. EPDM is not suitable for mineral oils.</p> <p>The motor stool forms connection between the pump housing and the motor, and is equipped with a manual air vent screw for venting of the pump housing and the shaft seal chamber. The sealing between motor stool and pump housing is an O-ring.</p> <p>The central part of the motor stool is provided with guards for protection against the shaft and coupling. The pump shaft is fastened directly on the motor shaft with key and set screws.</p> <p>Motor</p> <p>The motor is a totally enclosed, fan-cooled motor with principal dimensions to IEC and DIN standards. Electrical tolerances comply with IEC 60034.</p> <p>The motor efficiency is classified as IE5 in accordance with IEC 60034-30-2.</p> <p>The motor requires no external motor protection. The motor control unit incorporates protection against slow- and quick-rising temperatures, e.g. constant overload and stalled conditions.</p> <p>The terminal box holds terminals for these connections:</p> <ul style="list-style-type: none"> - one dedicated digital input - two analog inputs, 0(4)-20 mA, 0-10 V - one configurable digital input or open-collector output - Grundfos combined temperature and differential pressure sensor (separate connected) - 24 V voltage supply for sensors - two signal relay outputs (potential-free contacts)



Company name: national pumps and boilers
Created by:
Phone: 01539 729395
Email: info@nationlapumpsandboilers.co.uk
Date: 29/12/2023

Project:
Reference Number:

Client:
Client Number:
Contact:

Qty.	Description
1	<ul style="list-style-type: none">- GENIbus connection- interface for Grundfos CIM fieldbus module. <p>Further product details</p> <p>Cast-iron parts have an epoxy-based coating made in a cathodic electro-deposition (CED) process. CED is a high-quality dip-painting process where an electrical field around the products ensures deposition of paint particles as a thin, well-controlled layer on the surface.</p> <p>Technical data</p> <p>Controls: Frequency converter: Built-in</p> <p>Liquid: Pumped liquid: Water Liquid temperature range: -25 .. 120 °C Selected liquid temperature: 20 °C Density: 998.2 kg/m³</p> <p>Technical: Pump speed on which pump data are based: 4700 rpm Rated flow: 13.4 m³/h Rated head: 11 m Actual impeller diameter: 62 mm Code for shaft seal: BQQE Curve tolerance: ISO9906:2012 3B2</p> <p>Materials: Pump housing: Stainless steel EN 1.4308 ASTM CF8 Impeller: Composite PES+30% GF</p> <p>Installation: Range of ambient temperature: -20 .. 50 °C Maximum operating pressure: 10 bar Max pressure at stated temp: 10 bar / 120 °C Type of connection: DIN Size of connection: DN 32 Pressure rating for connection: PN 6/10 Port-to-port length: 220 mm Flange size for motor: 56C</p> <p>Electrical data: Motor type: 71A Rated power - P2: 0.55 kW Mains frequency: 50 / 60 Hz Rated voltage: 3 x 380-500 V Rated current: 1.35-1.30 A Cos phi - power factor: 0.76-0.61 Rated speed: 480-5900 rpm IE Efficiency class: IE5 Motor efficiency at full load: 86.8 %</p>



Company name: national pumps and boilers
Created by:
Phone: 01539 729395
Email: info@nationlapumpsandboilers.co.uk
Date: 29/12/2023

Project:
Reference Number:

Client:
Client Number:
Contact:

Qty.	Description
1	Enclosure class (IEC 34-5): IP55 Insulation class (IEC 85): F Motor No: 99138034 Others: Minimum efficiency index, MEI ≥: 0.70 Net weight: 23.7 kg Gross weight: 31.2 kg Shipping volume: 0.104 m ³ Danish VVS No.: 382150180 Finnish LVI No.: 4616323 Country of origin: HU Custom tariff no.: 84137051

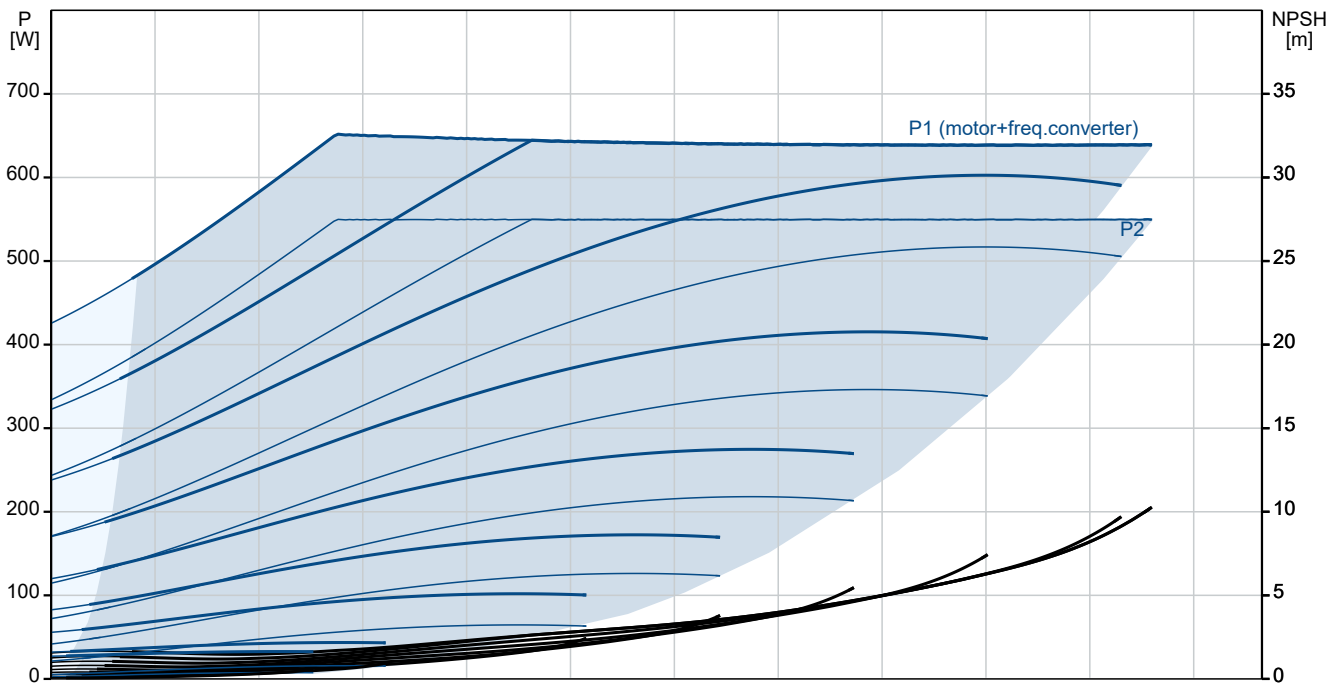
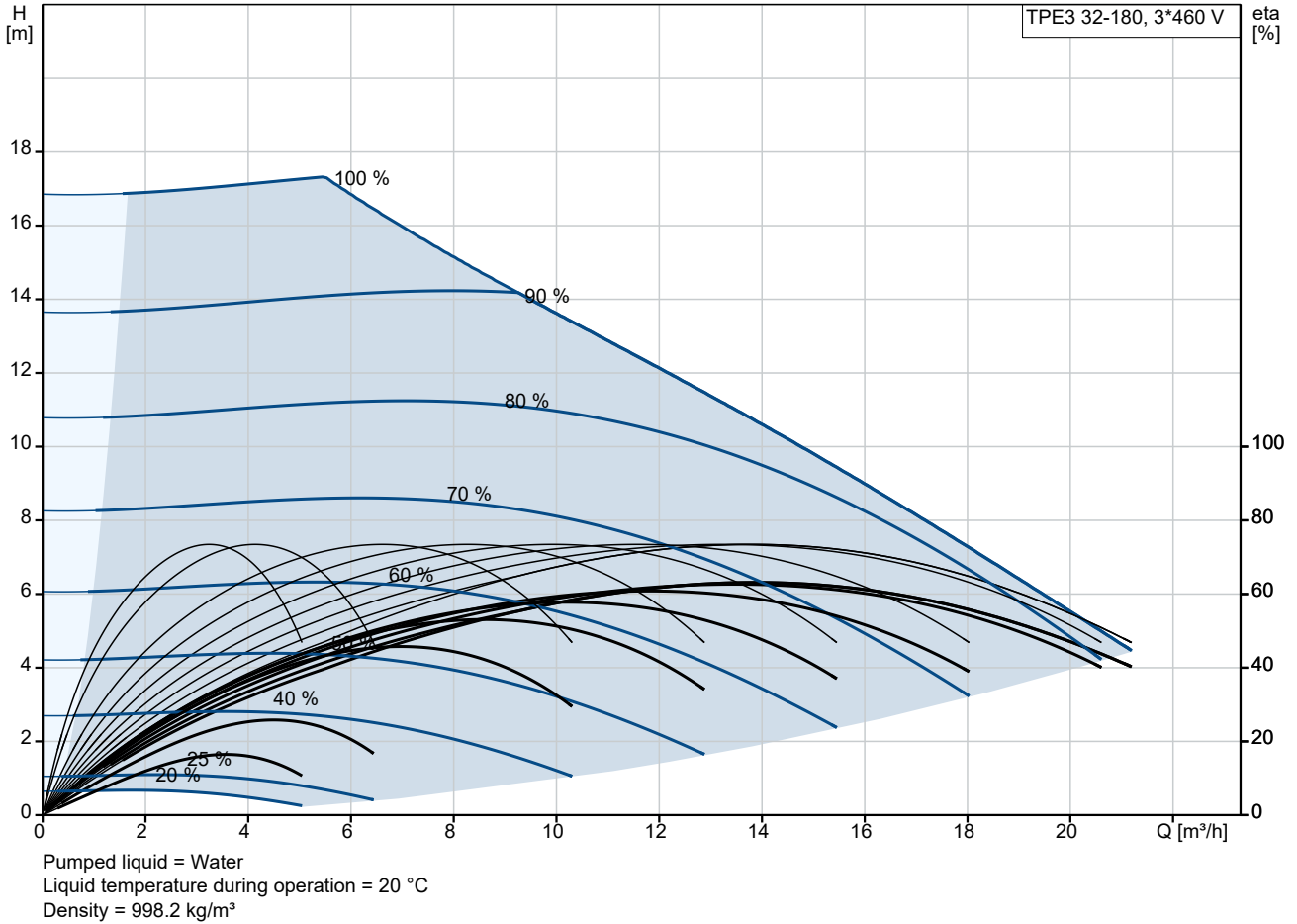


Company name: national pumps and boilers
Created by:
Phone: 01539 729395
Email: info@nationlapumpsandboilers.co.uk
Date: 29/12/2023

Project:
Reference Number:

Client:
Client Number:
Contact:

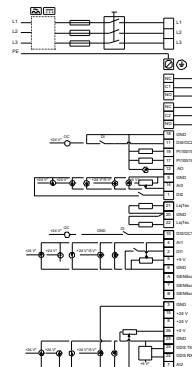
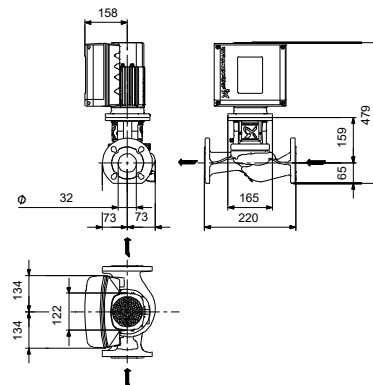
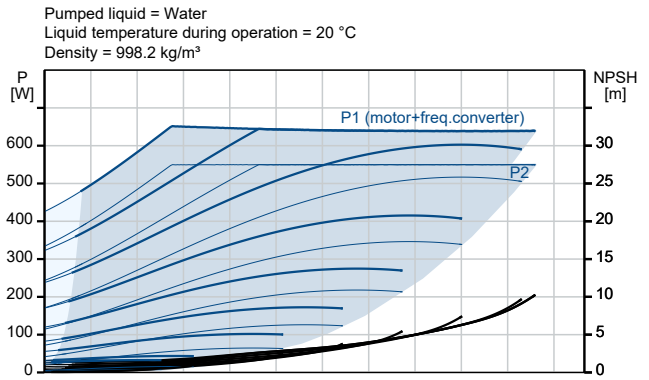
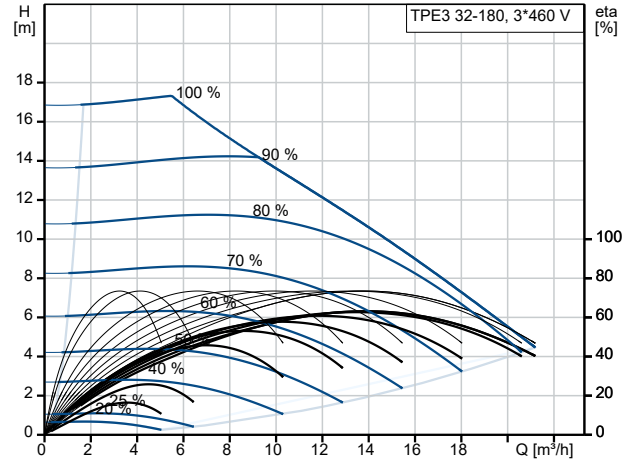
98416387 TPE3 32-180 S-A-F-I-BQQE-EYC



Project:
Reference Number:

Client:
Client Number:
Contact:

Description	Value
General information:	
Product name:	TPE3 32-180 S-A-F-I-BQQE-EYC
Product No:	98416387
EAN number:	5711494650972
Technical:	
Pump speed on which pump data are based:	4700 rpm
Rated flow:	13.4 m ³ /h
Rated head:	11 m
Maximum head:	180 dm
Actual impeller diameter:	62 mm
Code for shaft seal:	BQQE
Curve tolerance:	ISO9906:2012 3B2
Pump version:	A
Materials:	
Pump housing:	Stainless steel
Pump housing:	EN 1.4308
Pump housing:	ASTM CF8
Impeller:	Composite
Impeller:	PES+30% GF
Material code:	I
Installation:	
Range of ambient temperature:	-20 .. 50 °C
Maximum operating pressure:	10 bar
Max pressure at stated temp:	10 bar / 120 °C
Type of connection:	DIN
Size of connection:	DN 32
Pressure rating for connection:	PN 6/10
Port-to-port length:	220 mm
Flange size for motor:	56C
Connect code:	F
Liquid:	
Pumped liquid:	Water
Liquid temperature range:	-25 .. 120 °C
Selected liquid temperature:	20 °C
Density:	998.2 kg/m ³
Electrical data:	
Motor type:	71A
Rated power - P2:	0.55 kW
Mains frequency:	50 / 60 Hz
Rated voltage:	3 x 380-500 V
Rated current:	1.35-1.30 A
Cos phi - power factor:	0.76-0.61
Rated speed:	480-5900 rpm
IE Efficiency class:	IE5
Motor efficiency at full load:	86.8 %
Enclosure class (IEC 34-5):	IP55
Insulation class (IEC 85):	F
Built-in motor protection:	ELEC
Motor No:	99138034
Controls:	
Control panel:	HMI300 - Graphical
Function Module:	FM300 - Advanced
Frequency converter:	Built-in





Company name: national pumps and boilers
Created by:
Phone: 01539 729395
Email: info@nationlapumpsandboilers.co.uk
Date: 29/12/2023

Project:
Reference Number:

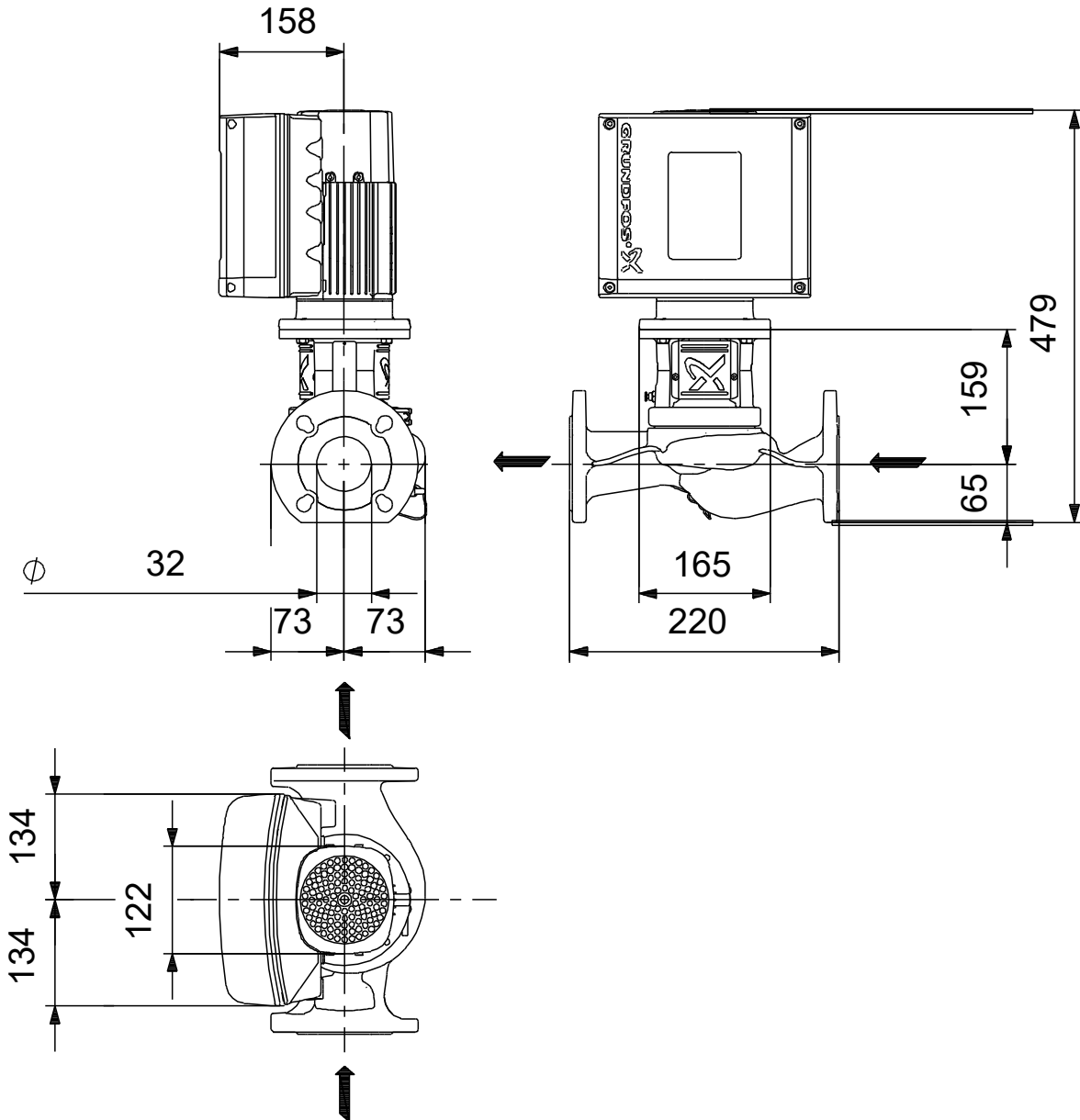
Client:
Client Number:
Contact:

Description	Value
Others:	
Minimum efficiency index, MEI ≥:	0.70
Net weight:	23.7 kg
Gross weight:	31.2 kg
Shipping volume:	0.104 m ³
Config. file no:	98484771
Danish VVS No.:	382150180
Finnish LVI No.:	4616323
Country of origin:	HU
Custom tariff no.:	84137051

Project:
Reference Number:

Client:
Client Number:
Contact:

98416387 TPE3 32-180 S-A-F-I-BQQE-EYC

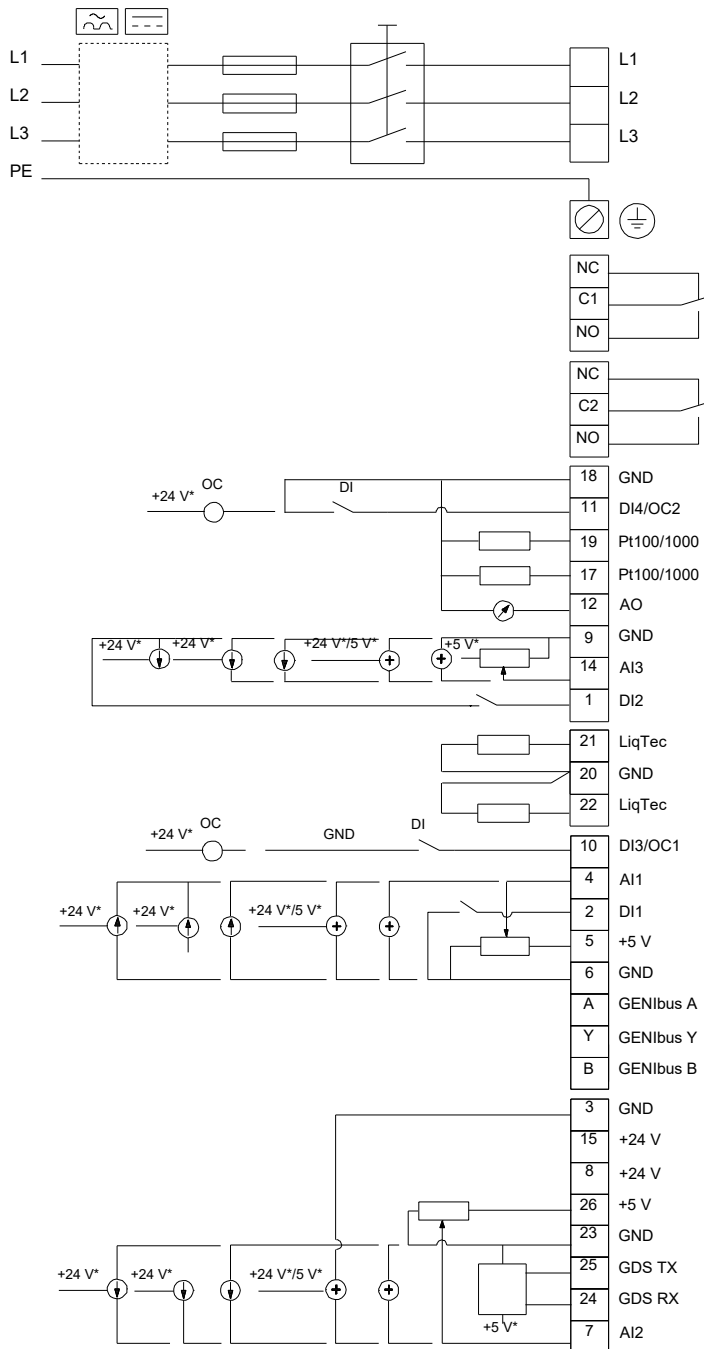


Note! All units are in [mm] unless others are stated.
Disclaimer: This simplified dimensional drawing does not show all details.

Project:
Reference Number:

Client:
Client Number:
Contact:

98416387 TPE3 32-180 S-A-F-I-BQQE-EYC



Note! All units are in [mm] unless others are stated.