

Receiver

From

Society
Reference
Address
Phone
Fax
E-mail

Item n° : 60151004
Customer pos. no.:
Model : EVOPLUS D 100/220.40 M

Pump data
Pressure rating : 1,6 MPa
Min. fluid temperature : -10 °C
Max. fluid temperature : 110 °C
EEI : ≤ 0,20

Minimum suction head :
Temperature : °C 90 - 100
Minimum suction head : m 20 - 25

Requested data
Flow :
Head :
Fluid (%) :
Fluid Temperature : 20 °C
Density : 998,3 kg/m³
Kinematic viscosity : 1,005 mm²/s
Vapor pressure : 0,00 MPa

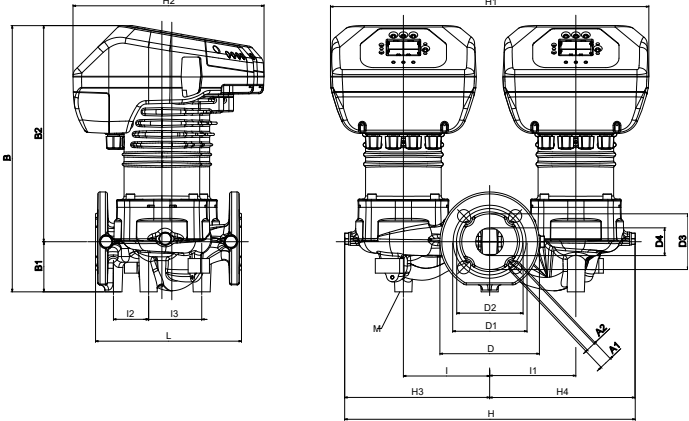
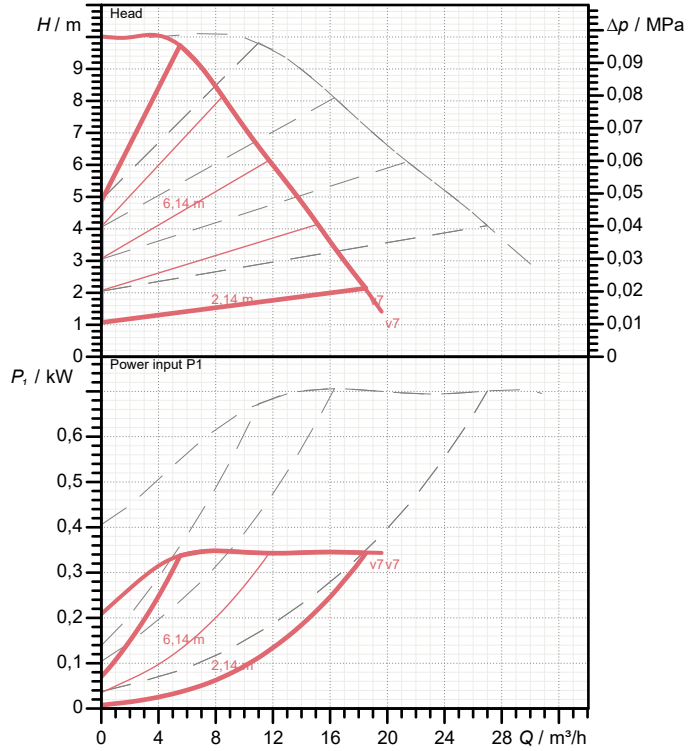
Hydraulic data (duty point)
Flow :
Head :

Materials
Pump body : Cast iron 250 UNI ISO 185 - CTF
Impeller : Technopolymer
Motor shaft : Stainless steel
Seal ring : EPDM
Motor casing : Die cast aluminium
Closing flange : Stainless steel
Thrust ring support : Stainless steel

Motor data
Motor brand : DAB
Power input P1 : 1 X 0,35 kW
Rated voltage : 1~ 220-240 V 50 Hz
Nominal current : 1 X 1,75 A
Degree of protection : IP 44

Curve tolerance according to ISO 9906

Number of working motors : 1



Dimensions in mm	
A1	19
A2	14
B	436
B1	75
B2	361
D	150
D1	110
D2	100
D3	84
D4	42
H	438
H1	480
H2	288
H3	219
H4	218
I	130
I1	130
I2	53
I3	80
L	220
M	M12

Weight : 38,6 kg

Pump connection

Suction side : DN 40 / PN6, PN10, PN16
Discharge side : DN 40 / PN6, PN10, PN16



PERFORMANCE CURVES

2023-02-06

Page 2 / 3

DAB PUMPS S.p.A.
Via Marco Polo, 14 - 35035 Mestrino (PD), Italy
Tel. +39 049 5125000 - Fax +39 049 5125950
www.dabpumps.com

Receiver

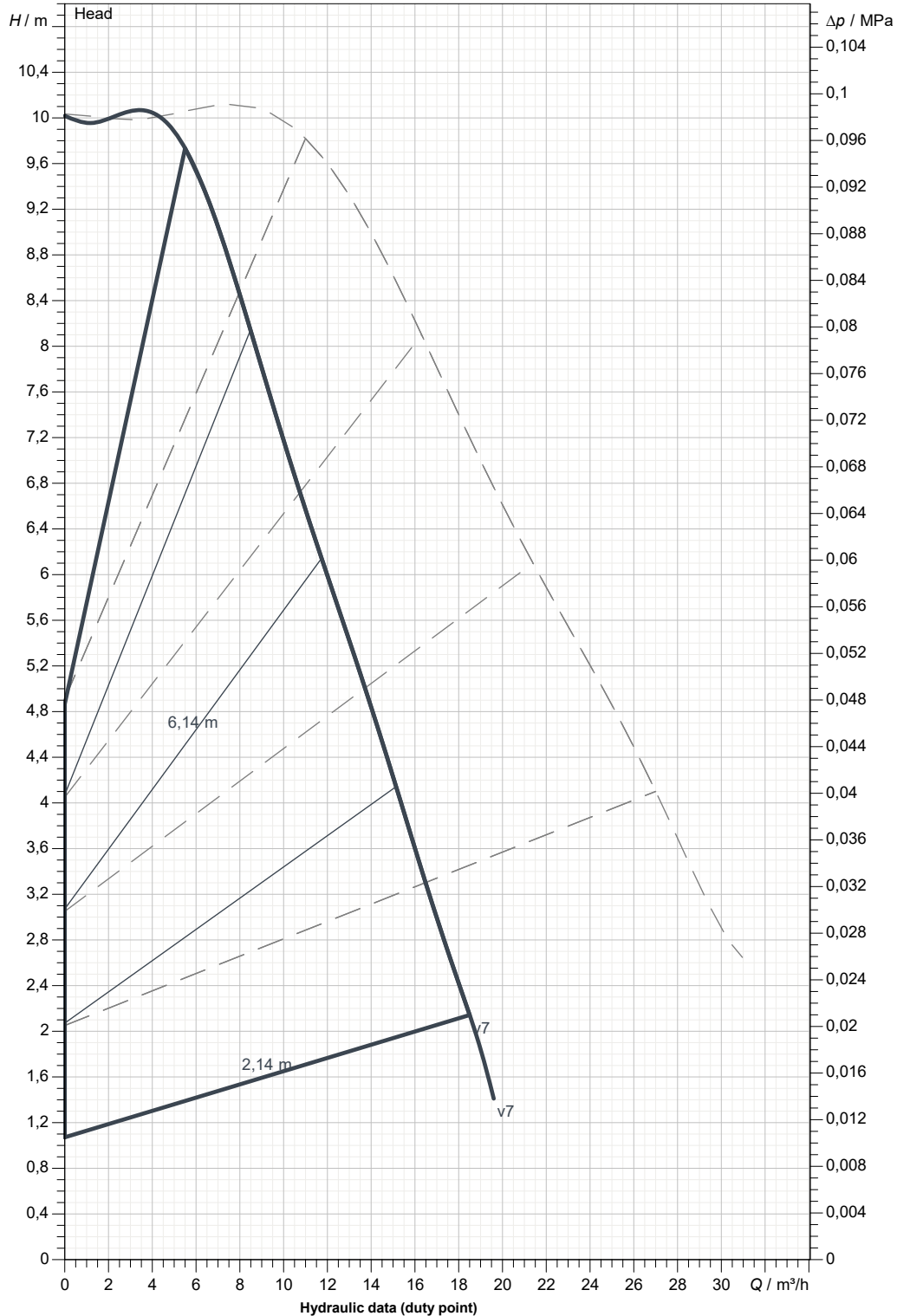
From

Society
Reference
Address
Phone
Fax
E-mail

EVOPLUS D 100/220.40 M

Number of working motors : 1

Curve tolerance according to ISO 9906



Suction side : DN 40 PN6, PN10, PN16	Discharge side : DN 40 PN6, PN10, PN16	Flow :	Head :	Rated speed : 2.900 1/min
MAIN_PROJECT_TITLE	BUSINESS_PROCESS_ID	OWNER_	ISSUE_DATE 2023-02-06	



DIMENSIONAL DRAWING

DAB PUMPS S.p.A.
Via Marco Polo, 14 - 35035 Mestrino (PD), Italy
Tel. +39 049 5125000 - Fax +39 049 5125950
www.dabpumps.com

2023-02-06

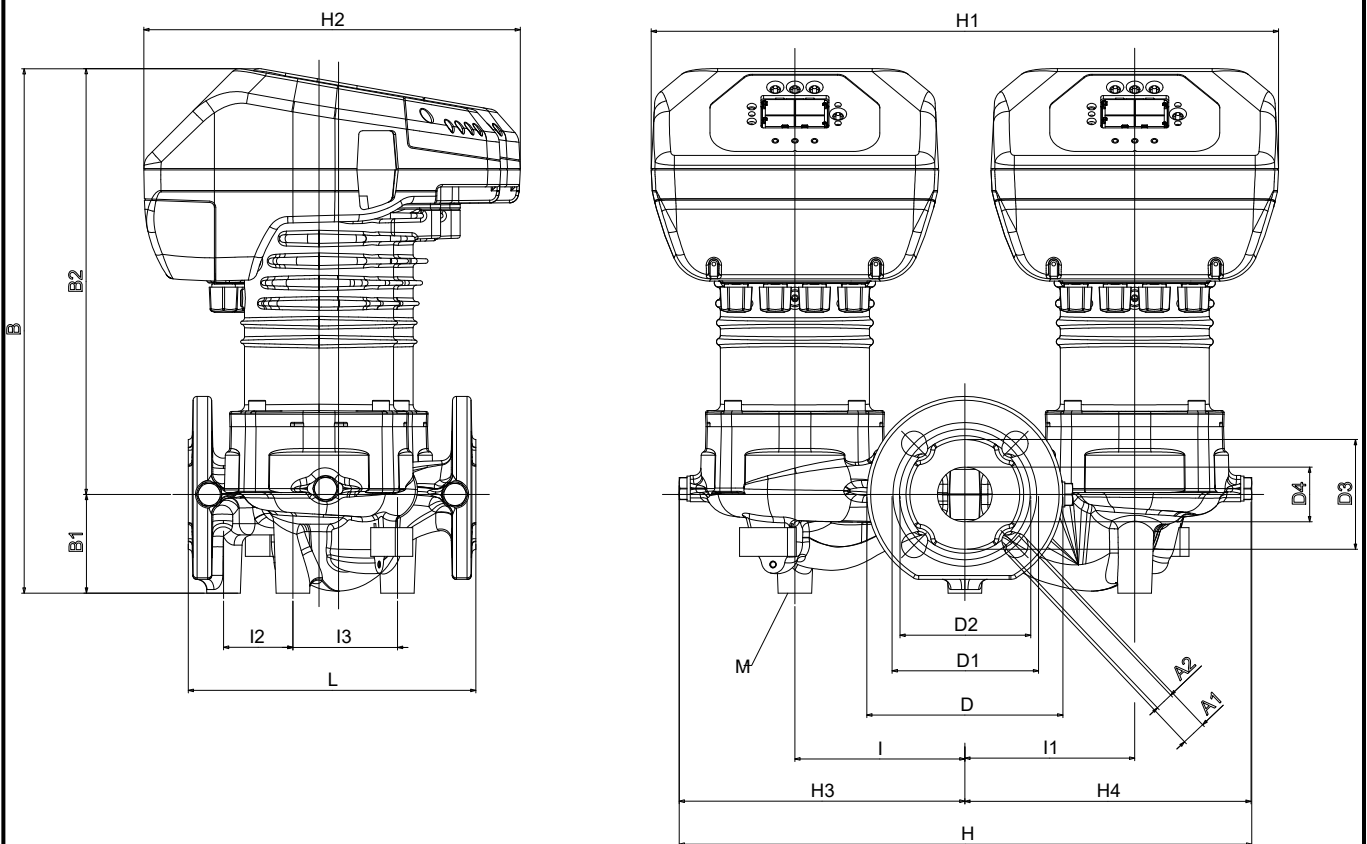
Page 3 / 3

Receiver

From

Society
Reference
Address
Phone
Fax
E-mail

EVOPLUS D 100/220.40 M



Dimensions in mm					Pump connection	
1	A1	19	H1	480		
2	A2	14	H2	288		Suction
3	B	436	H3	219		DN 40
4	B1	75	H4	218		PN6, PN10, PN16
5	B2	361	I	130		
6	D	150	I1	130		
7	D1	110	I2	53		Discharge
8	D2	100	I3	80		DN 40
9	D3	84	L	220		PN6, PN10, PN16
10	D4	42	M	M12		
11	H	438				

MAIN_PROJECT_TITLE	BUSINESS_PROCESS_ID	OWNER	ISSUE_DATE 2023-02-06
--------------------	---------------------	-------	---------------------------------