

**Receiver**

**From**

Society  
Reference  
Address  
Phone  
Fax  
E-mail

**Item n° :** 60151009  
**Customer pos. no.:**  
**Model :** EVOPLUS D 60/240.50 M

**Pump data**  
Pressure rating : 1,6 MPa  
Min. fluid temperature : -10 °C  
Max. fluid temperature : 110 °C  
EEI : ≤ 0,20

**Minimum suction head :**  
Temperature : °C 90 - 100  
Minimum suction head : m 20 - 25

**Requested data**  
Flow :  
Head :  
Fluid (%) :  
Fluid Temperature : 20 °C  
Density : 998,3 kg/m³  
Kinematic viscosity : 1,005 mm²/s  
Vapor pressure : 0,00 MPa

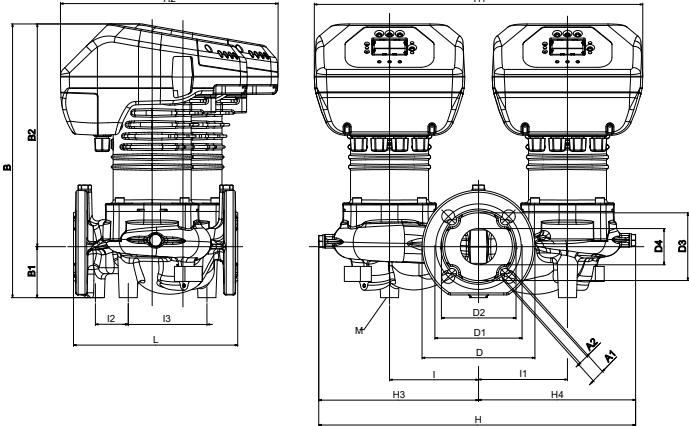
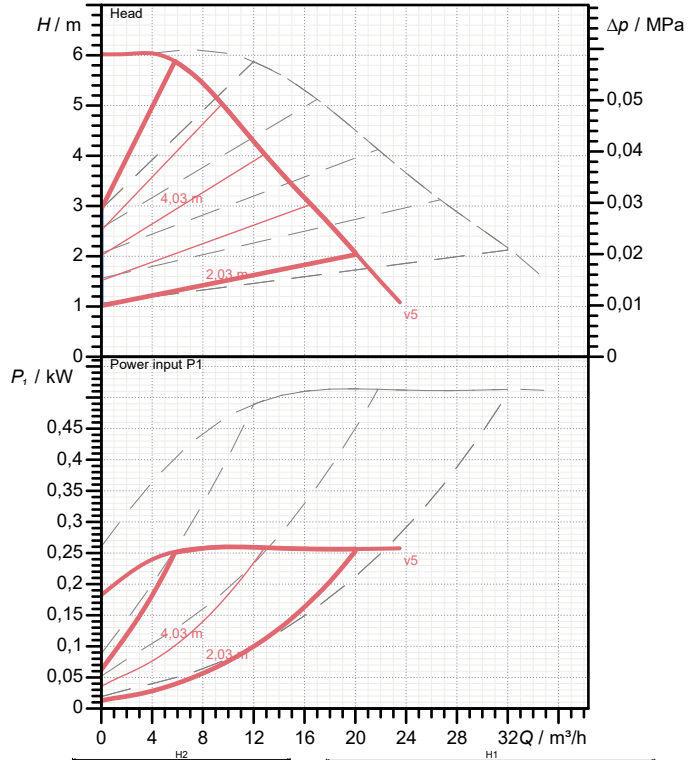
**Hydraulic data (duty point)**  
Flow :  
Head :

**Materials**  
Pump body : Cast iron 250 UNI ISO 185 - CTF  
Impeller : Technopolymer  
Motor shaft : Stainless steel  
Seal ring : EPDM  
Motor casing : Die cast aluminium  
Closing flange : Stainless steel  
Thrust ring support : Stainless steel

**Motor data**  
Motor brand : DAB  
Power input P1 : 1 X 0,26 kW  
Rated voltage : 1~ 220-240 V 50 Hz  
Nominal current : 1 X 1,35 A  
Degree of protection : IP 44

**Curve tolerance according to ISO 9906**

Number of working motors : 1



Dimensions in mm							
A1	19	D1	125	H2	318	I3	115
A2	14	D2	110	H3	233	L	240
B	400	D3	99	H4	230	M	M12
B1	75	D4	53	I	130		
B2	325	H	463	I1	130		
D	165	H1	480	I2	48		

**Weight :** 40 kg

**Pump connection**

Suction side : DN 50 / PN6, PN10, PN16  
Discharge side : DN 50 / PN6, PN10, PN16



# PERFORMANCE CURVES

2023-02-06

Page 2 / 3

DAB PUMPS S.p.A.  
Via Marco Polo, 14 - 35035 Mestrino (PD), Italy  
Tel. +39 049 5125000 - Fax +39 049 5125950  
www.dabpumps.com

Receiver

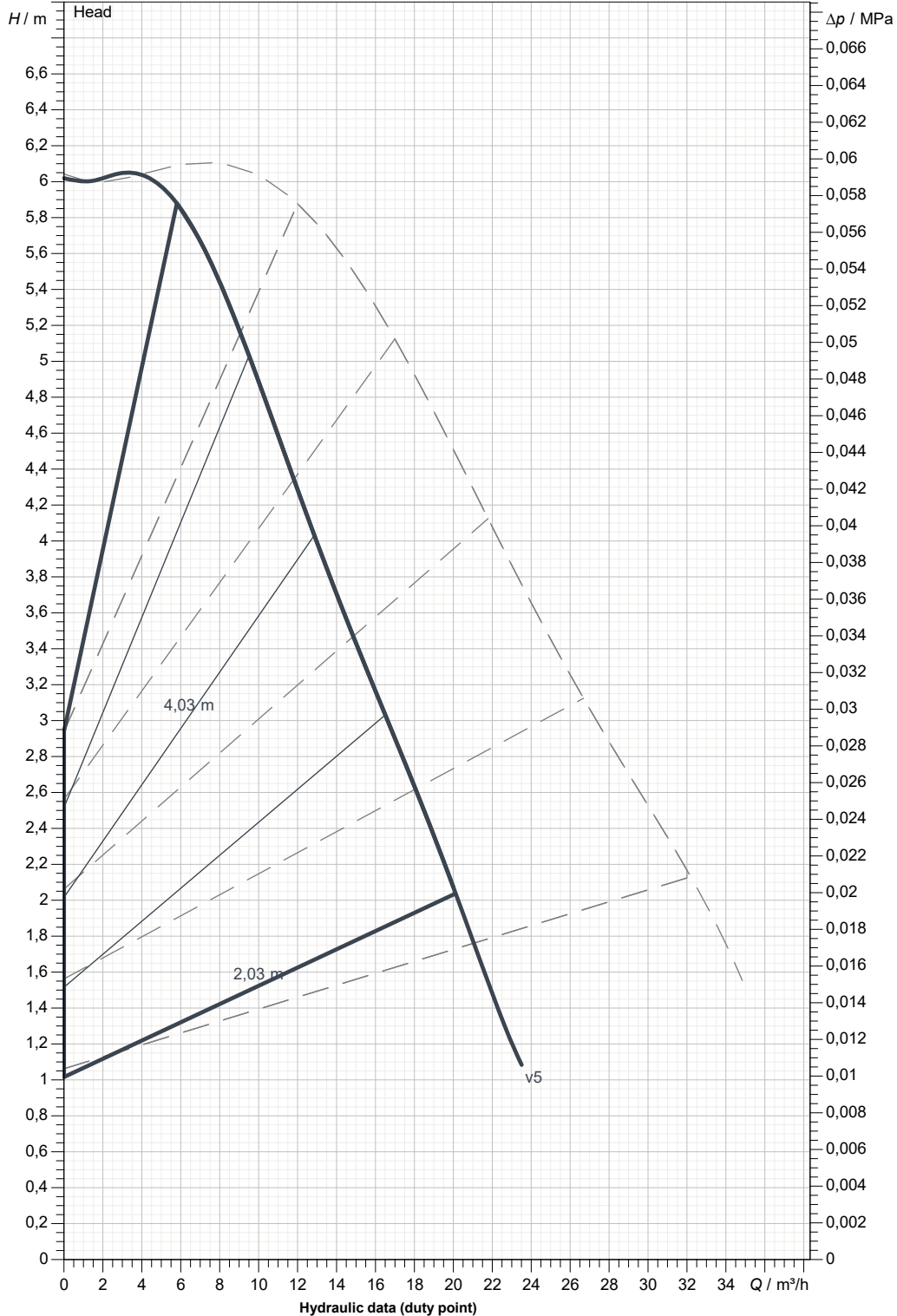
From

Society  
Reference  
Address  
Phone  
Fax  
E-mail

## EVOPLUS D 60/240.50 M

Number of working motors : 1

Curve tolerance according to ISO 9906



Suction side : DN 50 PN6, PN10, PN16	Discharge side : DN 50 PN6, PN10, PN16	Flow :	Head :	Rated speed : 2.900 1/min
MAIN_PROJECT_TITLE	BUSINESS_PROCESS_ID	OWNER_	ISSUE_DATE 2023-02-06	



# DIMENSIONAL DRAWING

2023-02-06

Page 3 / 3

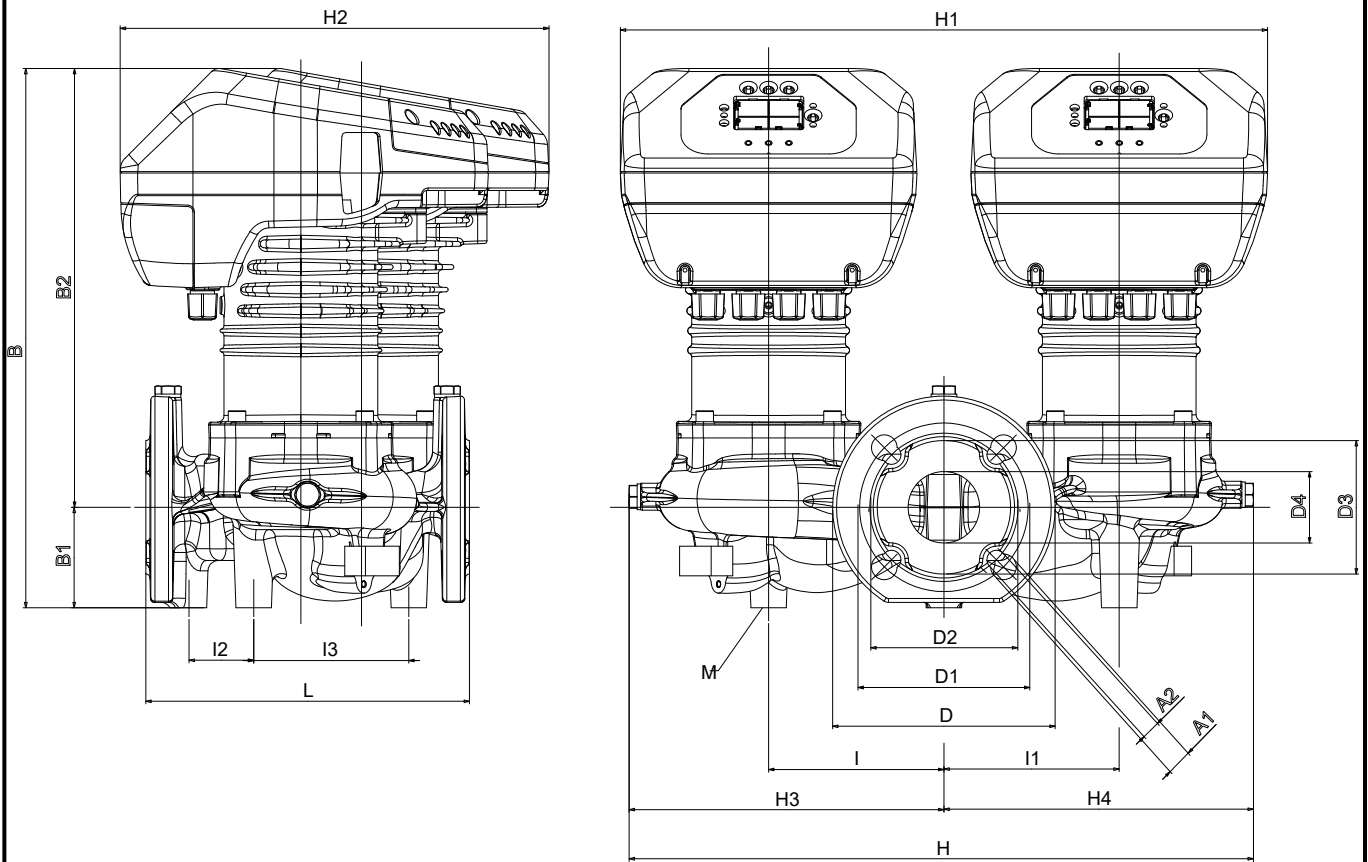
DAB PUMPS S.p.A.  
Via Marco Polo, 14 - 35035 Mestrino (PD), Italy  
Tel. +39 049 5125000 - Fax +39 049 5125950  
www.dabpumps.com

Receiver

From

Society  
Reference  
Address  
Phone  
Fax  
E-mail

## EVOPLUS D 60/240.50 M



**Dimensions in mm**

**Pump connection**

1	A1	19	H1	480	Suction DN 50 PN6, PN10, PN16  Discharge DN 50 PN6, PN10, PN16
2	A2	14	H2	318	
3	B	400	H3	233	
4	B1	75	H4	230	
5	B2	325	I	130	
6	D	165	I1	130	
7	D1	125	I2	48	
8	D2	110	I3	115	
9	D3	99	L	240	
10	D4	53	M	M12	
11	H	463			

MAIN\_PROJECT\_TITLE

BUSINESS\_PROCESS\_ID

OWNER

ISSUE\_DATE

2023-02-06