

**Receiver**

**From**

Society  
Reference  
Address  
Phone  
Fax  
E-mail

**Item n° :** 60151010  
**Customer pos. no.:**  
**Model :** EVOPLUS D 80/240.50 M

**Pump data**  
Pressure rating : 1,6 MPa  
Min. fluid temperature : -10 °C  
Max. fluid temperature : 110 °C  
EEI : ≤ 0,20

**Minimum suction head :**  
Temperature : °C 90 - 100  
Minimum suction head : m 20 - 25

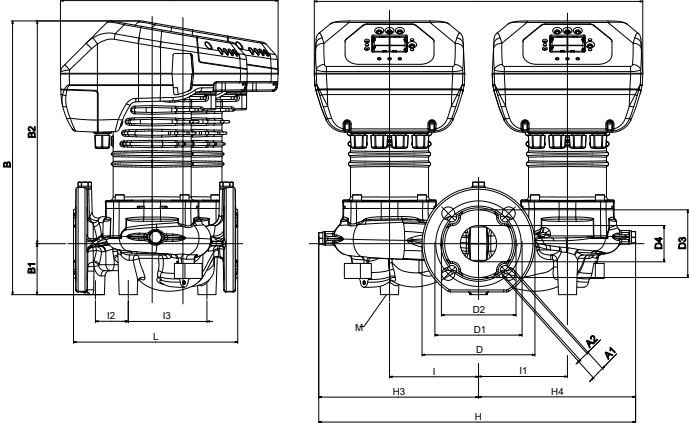
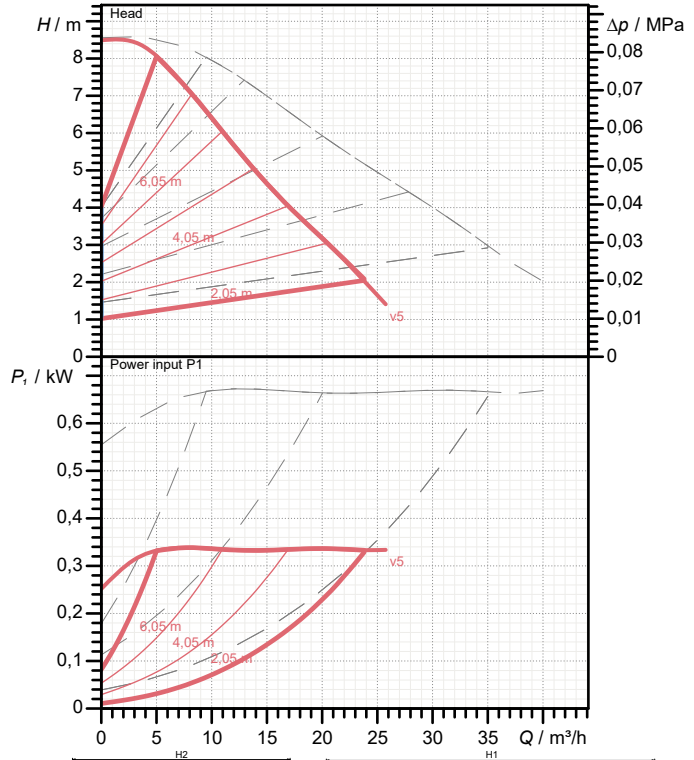
**Requested data**  
Flow :  
Head :  
Fluid (%) :  
Fluid Temperature : 20 °C  
Density : 998,3 kg/m³  
Kinematic viscosity : 1,005 mm²/s  
Vapor pressure : 0,00 MPa

**Hydraulic data (duty point)**  
Flow :  
Head :

**Materials**  
Pump body : Cast iron 250 UNI ISO 185 - CTF  
Impeller : Technopolymer  
Motor shaft : Stainless steel  
Seal ring : EPDM  
Motor casing : Die cast aluminium  
Closing flange : Stainless steel  
Thrust ring support : Stainless steel

**Motor data**  
Motor brand : DAB  
Power input P1 : 1 X 0,33 kW  
Rated voltage : 1~ 220-240 V 50 Hz  
Nominal current : 1 X 1,7 A  
Degree of protection : IP 44

**Curve tolerance according to ISO 9906**  
**Number of working motors : 1**



Dimensions in mm	
A1	19
A2	14
B	400
B1	75
B2	325
D	165
D1	125
D2	110
D3	99
D4	53
H	463
H1	480
H2	318
H3	233
H4	230
I	130
I1	130
I2	48
I3	115
L	240
M	M12

**Weight :** 40 kg  
**Pump connection**

Suction side : DN 50 / PN6, PN10, PN16  
Discharge side : DN 50 / PN6, PN10, PN16



# PERFORMANCE CURVES

2023-02-06

Page 2 / 3

DAB PUMPS S.p.A.  
Via Marco Polo, 14 - 35035 Mestrino (PD), Italy  
Tel. +39 049 5125000 - Fax +39 049 5125950  
www.dabpumps.com

Receiver

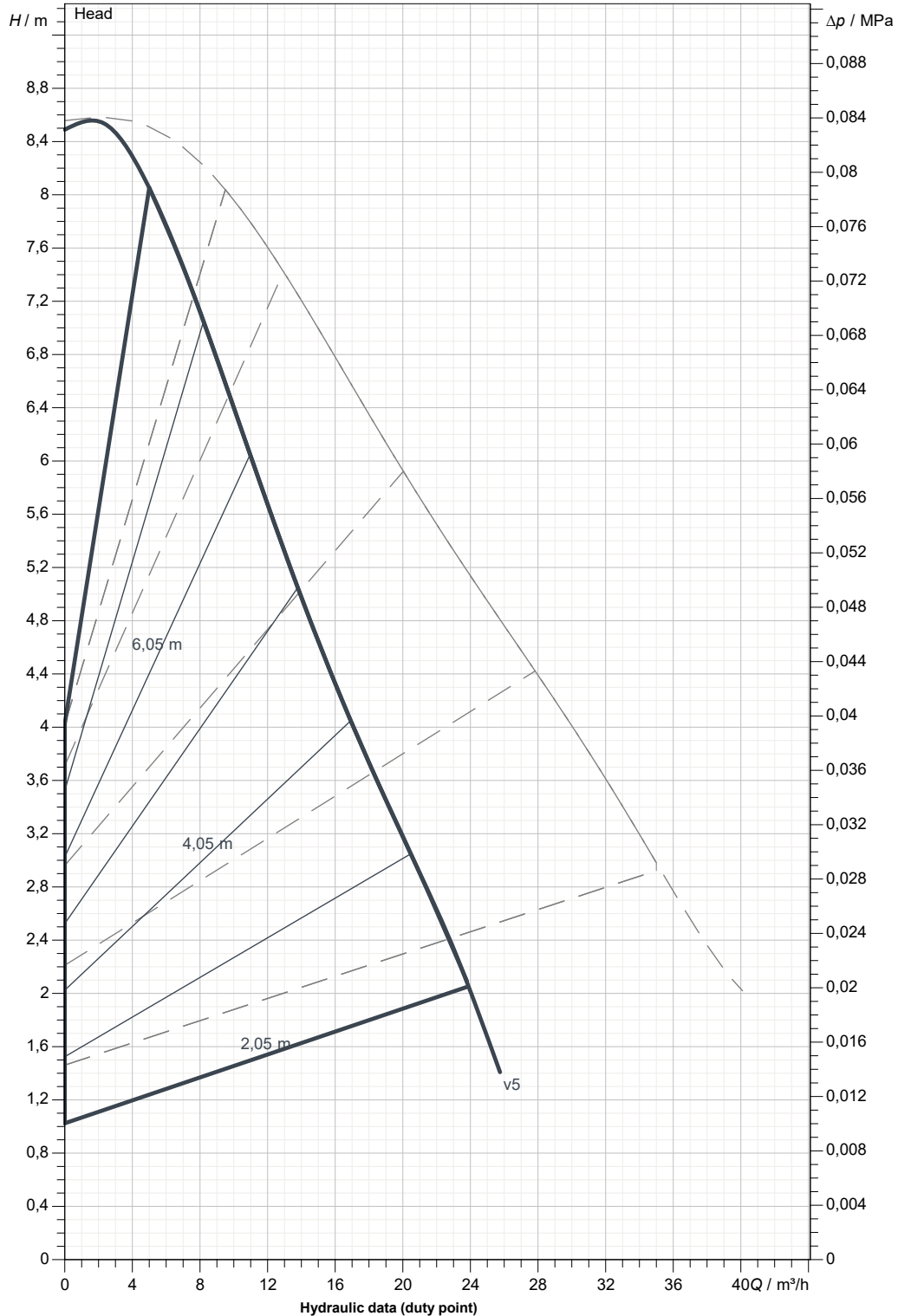
From

Society  
Reference  
Address  
Phone  
Fax  
E-mail

## EVOPLUS D 80/240.50 M

Number of working motors : 1

Curve tolerance according to ISO 9906



Suction side : DN 50 PN6, PN10, PN16	Discharge side : DN 50 PN6, PN10, PN16	Flow :	Head :	Rated speed : 2.900 1/min
MAIN_PROJECT_TITLE	BUSINESS_PROCESS_ID	OWNER_	ISSUE_DATE 2023-02-06	



# DIMENSIONAL DRAWING

2023-02-06

Page 3 / 3

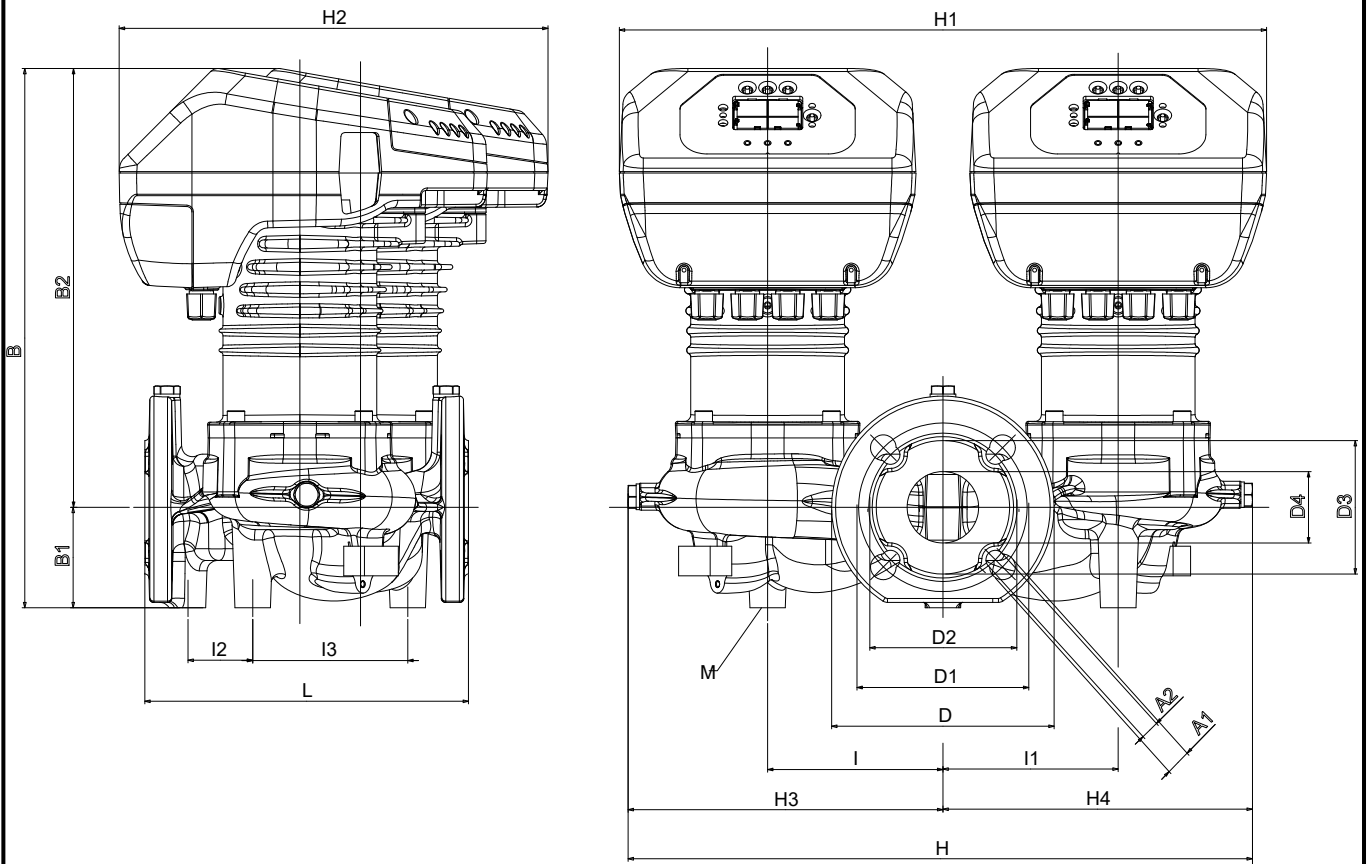
DAB PUMPS S.p.A.  
Via Marco Polo, 14 - 35035 Mestrino (PD), Italy  
Tel. +39 049 5125000 - Fax +39 049 5125950  
www.dabpumps.com

Receiver

From

Society  
Reference  
Address  
Phone  
Fax  
E-mail

## EVOPLUS D 80/240.50 M



Dimensions in mm					Pump connection	
1	A1	19	H1	480	Suction DN 50 PN6, PN10, PN16  Discharge DN 50 PN6, PN10, PN16	
2	A2	14	H2	318		
3	B	400	H3	233		
4	B1	75	H4	230		
5	B2	325	I	130		
6	D	165	I1	130		
7	D1	125	I2	48		
8	D2	110	I3	115		
9	D3	99	L	240		
10	D4	53	M	M12		
11	H	463				

MAIN_PROJECT_TITLE	BUSINESS_PROCESS_ID	OWNER	ISSUE_DATE <b>2023-02-06</b>
--------------------	---------------------	-------	---------------------------------