

Receiver

From

Society
Reference
Address
Phone
Fax
E-mail

Item n° : 60151012
Customer pos. no.:
Model : EVOPLUS D 120/280.50 M

Pump data
Pressure rating : 1,6 MPa
Min. fluid temperature : -10 °C
Max. fluid temperature : 110 °C
EEI : ≤ 0,20

Minimum suction head :
Temperature : °C 90 - 100
Minimum suction head : m 20 - 25

Requested data
Flow :
Head :
Fluid (%) :
Fluid Temperature : 20 °C
Density : 998,3 kg/m³
Kinematic viscosity : 1,005 mm²/s
Vapor pressure : 0,00 MPa

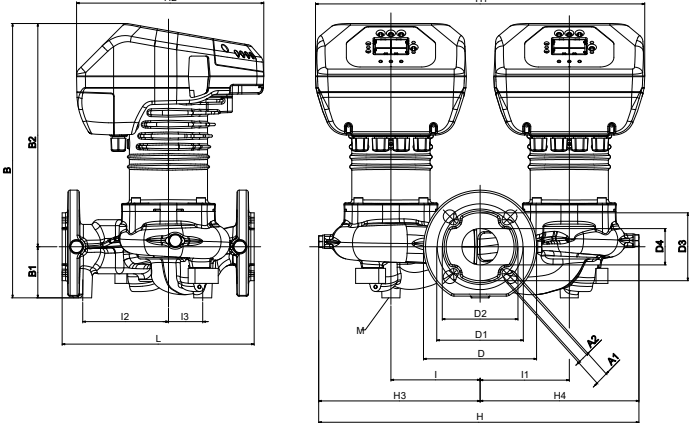
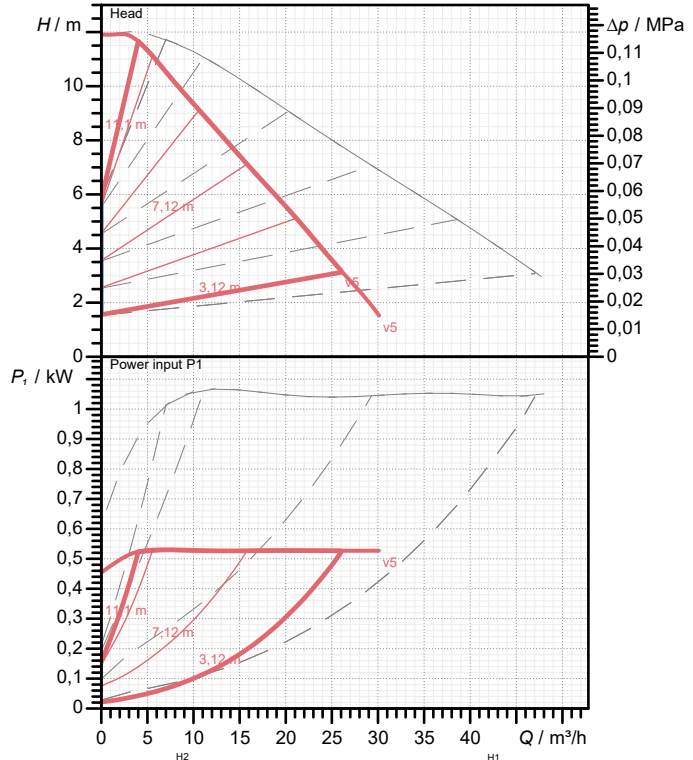
Hydraulic data (duty point)
Flow :
Head :

Materials
Pump body : Cast iron 250 UNI ISO 185 - CTF
Impeller : Technopolymer
Motor shaft : Stainless steel
Seal ring : EPDM
Motor casing : Die cast aluminium
Closing flange : Stainless steel
Thrust ring support : Stainless steel

Motor data
Motor brand : DAB
Power input P1 : 1 X 0,53 kW
Rated voltage : 1~ 220-240 V 50 Hz
Nominal current : 1 X 2,5 A
Degree of protection : IP 44

Curve tolerance according to ISO 9906

Number of working motors : 1



Dimensions in mm	
A1	19
A2	14
B	400
B1	75
B2	325
D	165
D1	125
D2	110
D3	99
D4	53
H	467
H1	480
H2	273
H3	235
H4	232
I	130
I1	130
I2	125
I3	50
L	280
M	M12

Weight : 39,6 kg

Pump connection

Suction side : DN 50 / PN6, PN10, PN16
Discharge side : DN 50 / PN6, PN10, PN16



PERFORMANCE CURVES

2023-02-06

Page 2 / 3

DAB PUMPS S.p.A.
Via Marco Polo, 14 - 35035 Mestrino (PD), Italy
Tel. +39 049 5125000 - Fax +39 049 5125950
www.dabpumps.com

Receiver

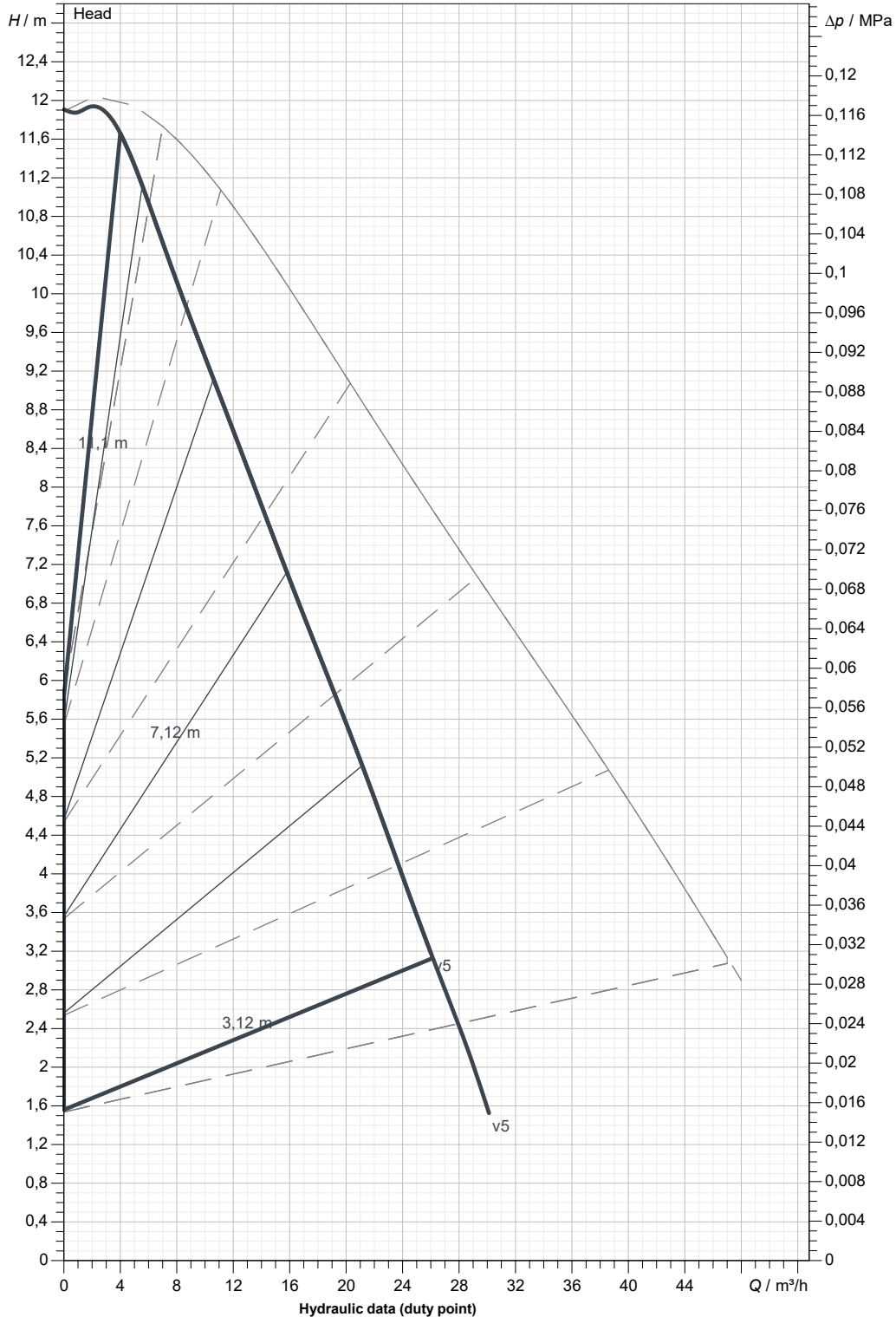
From

Society
Reference
Address
Phone
Fax
E-mail

EVOPLUS D 120/280.50 M

Number of working motors : 1

Curve tolerance according to ISO 9906



Suction side : DN 50 PN6, PN10, PN16	Discharge side : DN 50 PN6, PN10, PN16	Flow :	Head :	Rated speed : 2.900 1/min
MAIN_PROJECT_TITLE	BUSINESS_PROCESS_IC	OWNER_	ISSUE_DATE 2023-02-06	



DIMENSIONAL DRAWING

DAB PUMPS S.p.A.
Via Marco Polo, 14 - 35035 Mestrino (PD), Italy
Tel. +39 049 5125000 - Fax +39 049 5125950
www.dabpumps.com

2023-02-06

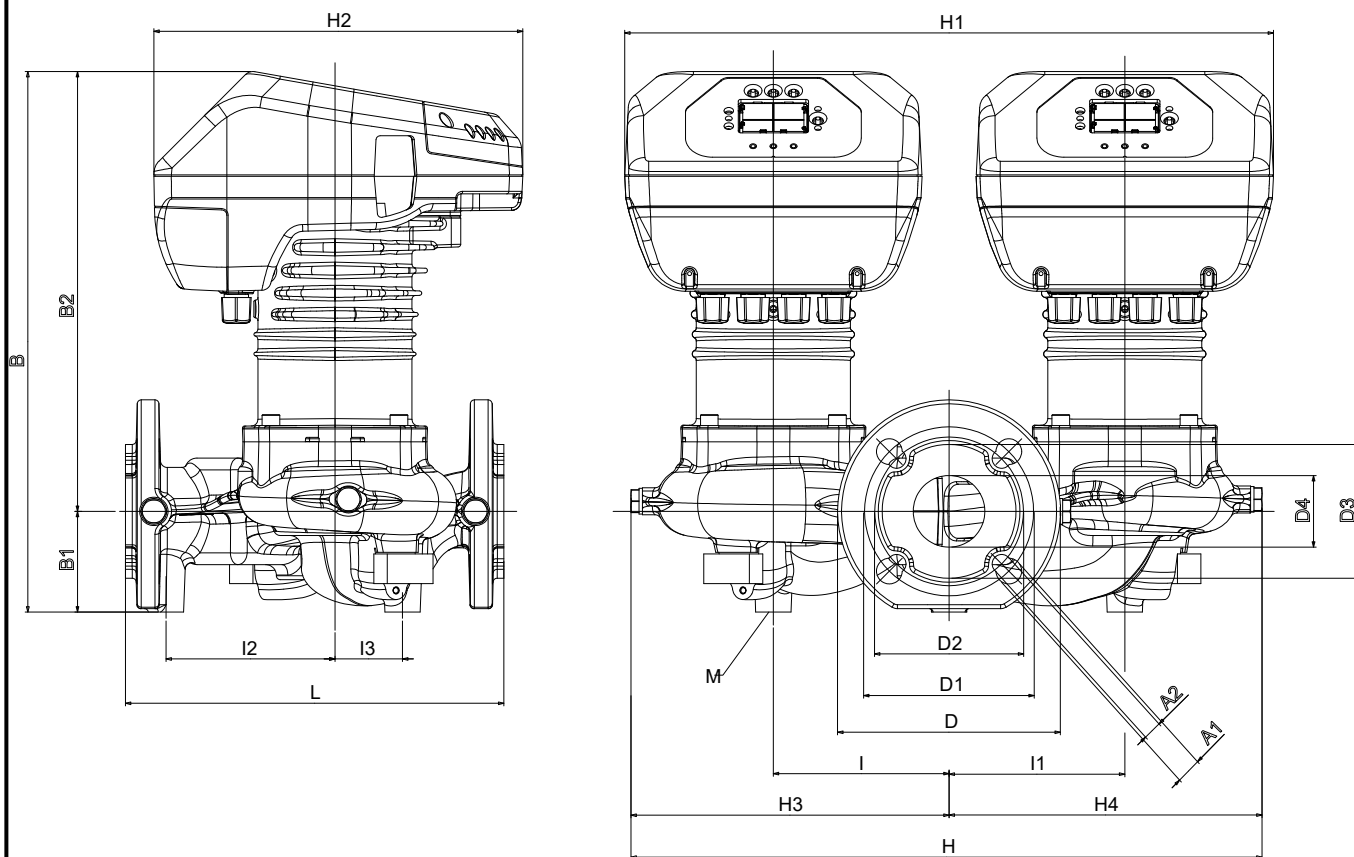
Page 3 / 3

Receiver

From

Society
Reference
Address
Phone
Fax
E-mail

EVOPLUS D 120/280.50 M



Dimensions in mm					Pump connection	
1	A1	19	H1	480	Suction DN 50 PN6, PN10, PN16 Discharge DN 50 PN6, PN10, PN16	
2	A2	14	H2	273		
3	B	400	H3	235		
4	B1	75	H4	232		
5	B2	325	I	130		
6	D	165	I1	130		
7	D1	125	I2	125		
8	D2	110	I3	50		
9	D3	99	L	280		
10	D4	53	M	M12		
11	H	467				

MAIN_PROJECT_TITLE	BUSINESS_PROCESS_ID	OWNER	ISSUE_DATE 2023-02-06
--------------------	---------------------	-------	---------------------------------