

### Receiver

Society  
Reference  
Address  
Phone  
Fax  
E-mail

### From

**Item n° :** 60151019  
**Customer pos. no.:**  
**Model :** EVOPLUS D 120/340.65 M

#### Pump data

Pressure rating : 1,6 MPa  
Min. fluid temperature : -10 °C  
Max. fluid temperature : 110 °C  
EEI : ≤ 0,20

#### Minimum suction head :

Temperature : °C 90 - 100  
Minimum suction head : m 20 - 25

#### Requested data

Flow :  
Head :  
Fluid (%) :  
Fluid Temperature : 20 °C  
Density : 998,3 kg/m<sup>3</sup>  
Kinematic viscosity : 1,005 mm<sup>2</sup>/s  
Vapor pressure : 0,00 MPa

#### Hydraulic data (duty point)

Flow :  
Head :

#### Materials

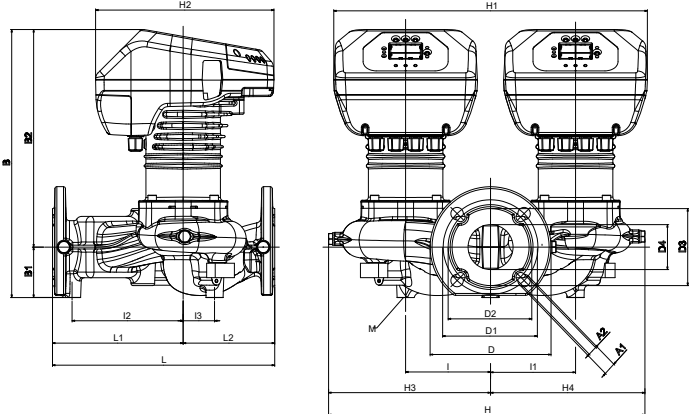
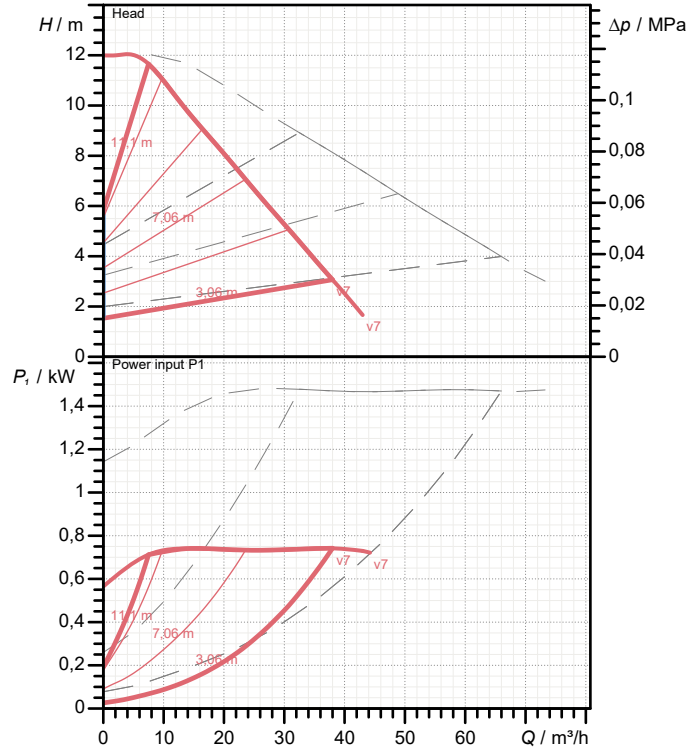
Pump body : Cast iron 250 UNI ISO 185 - CTF  
Impeller : Technopolymer  
Motor shaft : Stainless steel  
Seal ring : EPDM  
Motor casing : Die cast aluminium  
Closing flange : Stainless steel  
Thrust ring support : Stainless steel

#### Motor data

Motor brand : DAB  
Power input P1 : 1 X 0,73 kW  
Rated voltage : 1~ 220-240 V 50 Hz  
Nominal current : 1 X 3,45 A  
Degree of protection : IP 44

#### Curve tolerance according to ISO 9906

Number of working motors : 1



#### Dimensions in mm

A1	19	D1	145	H2	273	I3	48
A2	14	D2	130	H3	248	L	340
B	411	D3	118	H4	236	L1	200
B1	77	D4	69	I	130	L2	140
B2	334	H	484	I1	130	M	M12
D	185	H1	480	I2	170		

**Weight :** 45 kg

#### Pump connection

Suction side : DN 65 / PN6, PN10, PN16  
Discharge side : DN 65 / PN6, PN10, PN16



# PERFORMANCE CURVES

2023-02-06

Page 2 / 3

DAB PUMPS S.p.A.  
Via Marco Polo, 14 - 35035 Mestrino (PD), Italy  
Tel. +39 049 5125000 - Fax +39 049 5125950  
www.dabpumps.com

Receiver

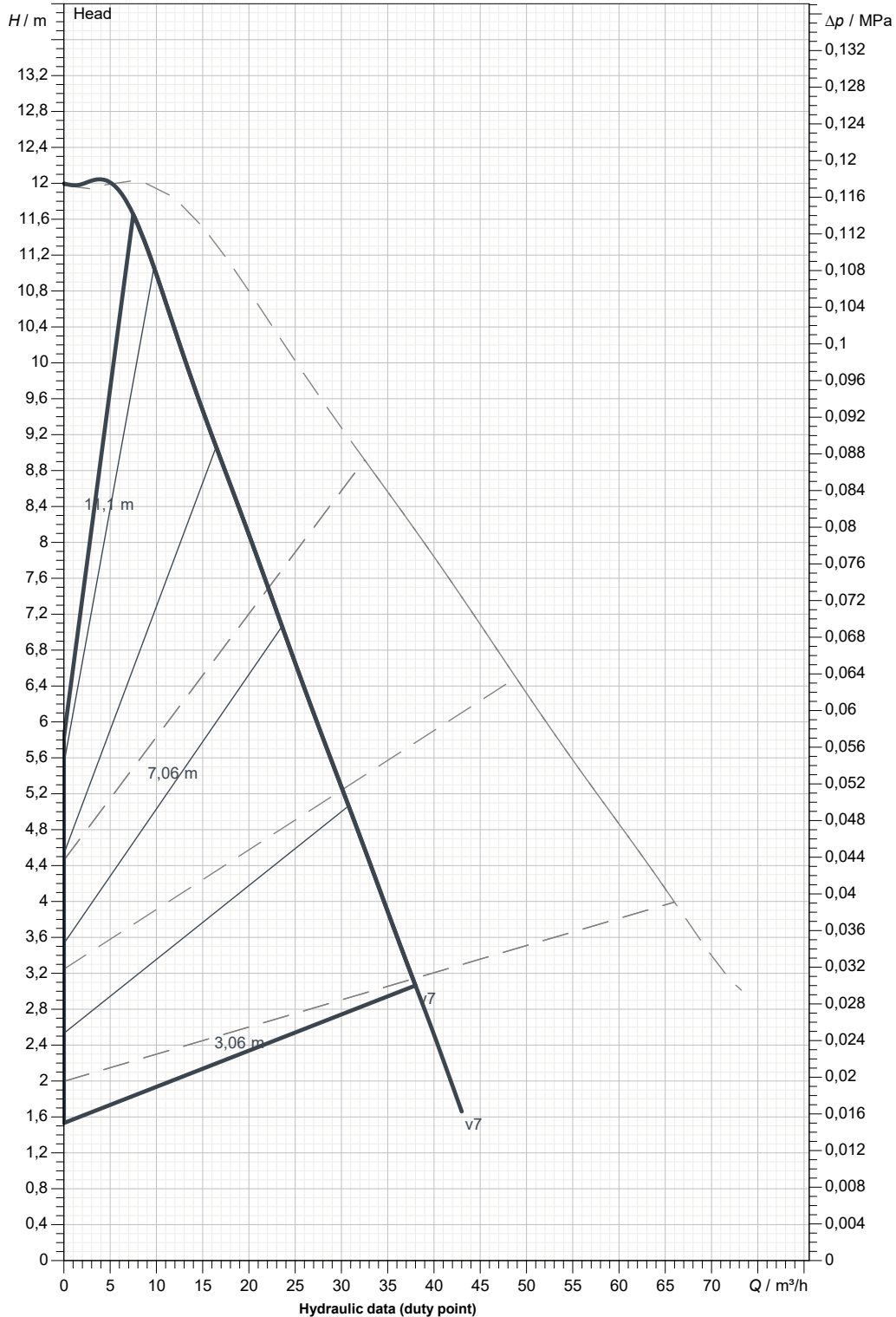
From

Society  
Reference  
Address  
Phone  
Fax  
E-mail

## EVOPLUS D 120/340.65 M

Number of working motors : 1

Curve tolerance according to ISO 9906



Suction side : DN 65 PN6, PN10, PN16	Discharge side : DN 65 PN6, PN10, PN16	Flow :	Head :	Rated speed : 2.900 1/min
MAIN_PROJECT_TITLE	BUSINESS_PROCESS_IT	OWNER_	ISSUE_DATE 2023-02-06	



# DIMENSIONAL DRAWING

2023-02-0€

Page 3 / 3

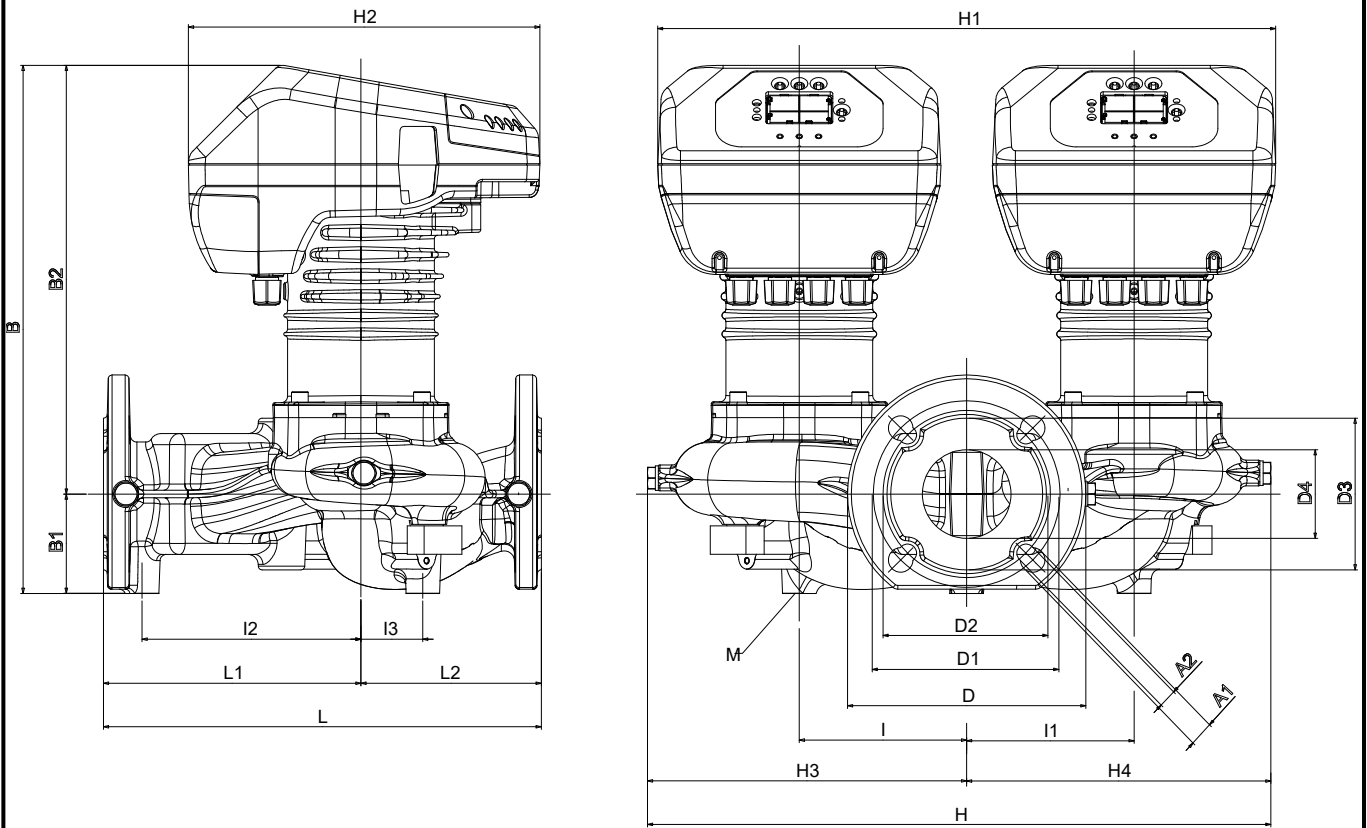
DAB PUMPS S.p.A.  
Via Marco Polo, 14 - 35035 Mestrino (PD), Italy  
Tel. +39 049 5125000 - Fax +39 049 5125950  
www.dabpumps.com

Receiver

From

Society  
Reference  
Address  
Phone  
Fax  
E-mail

## EVOPLUS D 120/340.65 M



Dimensions in mm							Pump connection	
1	A1	19	H1	480	M	M12	Suction DN 65 PN6, PN10, PN16  Discharge DN 65 PN6, PN10, PN16	
2	A2	14	H2	273				
3	B	411	H3	248				
4	B1	77	H4	236				
5	B2	334	I	130				
6	D	185	I1	130				
7	D1	145	I2	170				
8	D2	130	I3	48				
9	D3	118	L	340				
10	D4	69	L1	200				
11	H	484	L2	140				

MAIN_PROJECT_TITLE	BUSINESS_PROCESS_ID	OWNER	ISSUE_DATE 2023-02-06
--------------------	---------------------	-------	--------------------------