

Receiver

From

Society
Reference
Address
Phone
Fax
E-mail

Item n° : 60151020
Customer pos. no.:
Model : EVOPLUS D 150/340.65 M

Pump data

Pressure rating : 1,6 MPa
Min. fluid temperature : -10 °C
Max. fluid temperature : 110 °C
EEI : ≤ 0,20

Minimum suction head :

Temperature : °C 90 - 100
Minimum suction head : m 20 - 25

Requested data

Flow :
Head :
Fluid (%) :
Fluid Temperature : 20 °C
Density : 998,3 kg/m³
Kinematic viscosity : 1,005 mm²/s
Vapor pressure : 0,00 MPa

Hydraulic data (duty point)

Flow :
Head :

Materials

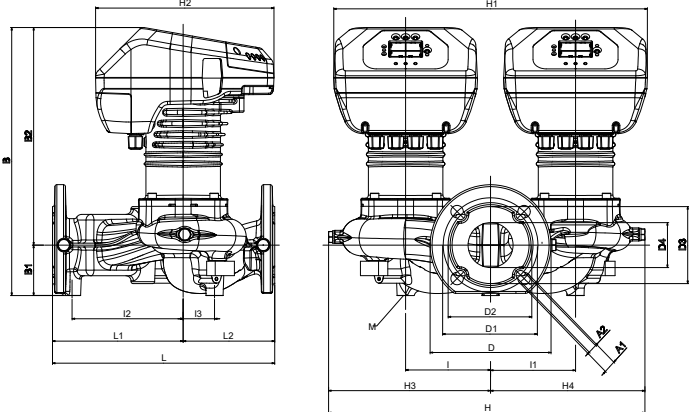
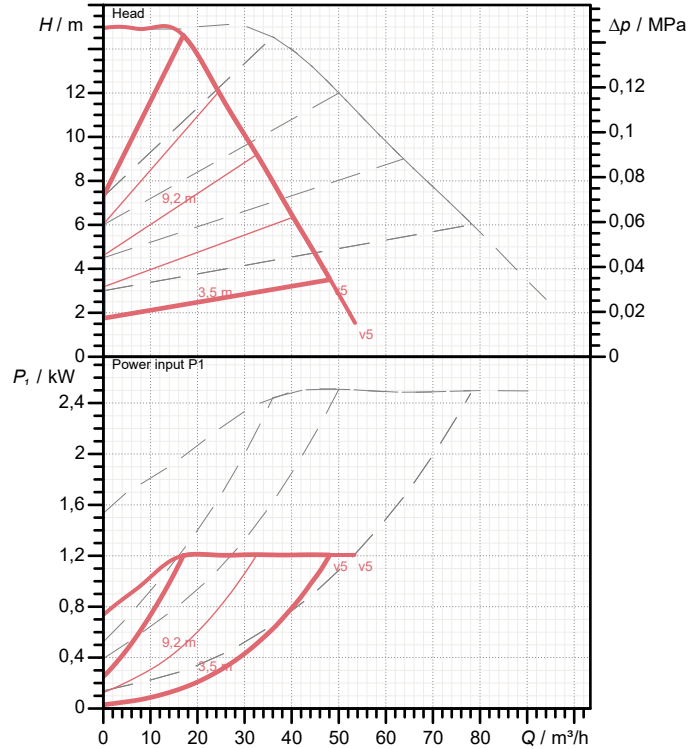
Pump body : Cast iron 250 UNI ISO 185 - CTF
Impeller : Technopolymer
Motor shaft : Stainless steel
Seal ring : EPDM
Motor casing : Die cast aluminium
Closing flange : Stainless steel
Thrust ring support : Stainless steel

Motor data

Motor brand : DAB
Power input P1 : 1 X 1,21 kW
Rated voltage : 1~ 220-240 V 50 Hz
Nominal current : 1 X 5,5 A
Degree of protection : IP 44

Curve tolerance according to ISO 9906

Number of working motors : 1



Dimensions in mm

A1	19	D1	145	H2	273	I3	48
A2	14	D2	130	H3	248	L	340
B	411	D3	118	H4	236	L1	200
B1	77	D4	69	I	130	L2	140
B2	334	H	484	I1	130	M	M12
D	185	H1	480	I2	170		

Weight : 49,4 kg

Pump connection

Suction side : DN 65 / PN6, PN10, PN16
Discharge side : DN 65 / PN6, PN10, PN16



PERFORMANCE CURVES

2023-02-06

Page 2 / 3

DAB PUMPS S.p.A.
Via Marco Polo, 14 - 35035 Mestrino (PD), Italy
Tel. +39 049 5125000 - Fax +39 049 5125950
www.dabpumps.com

Receiver

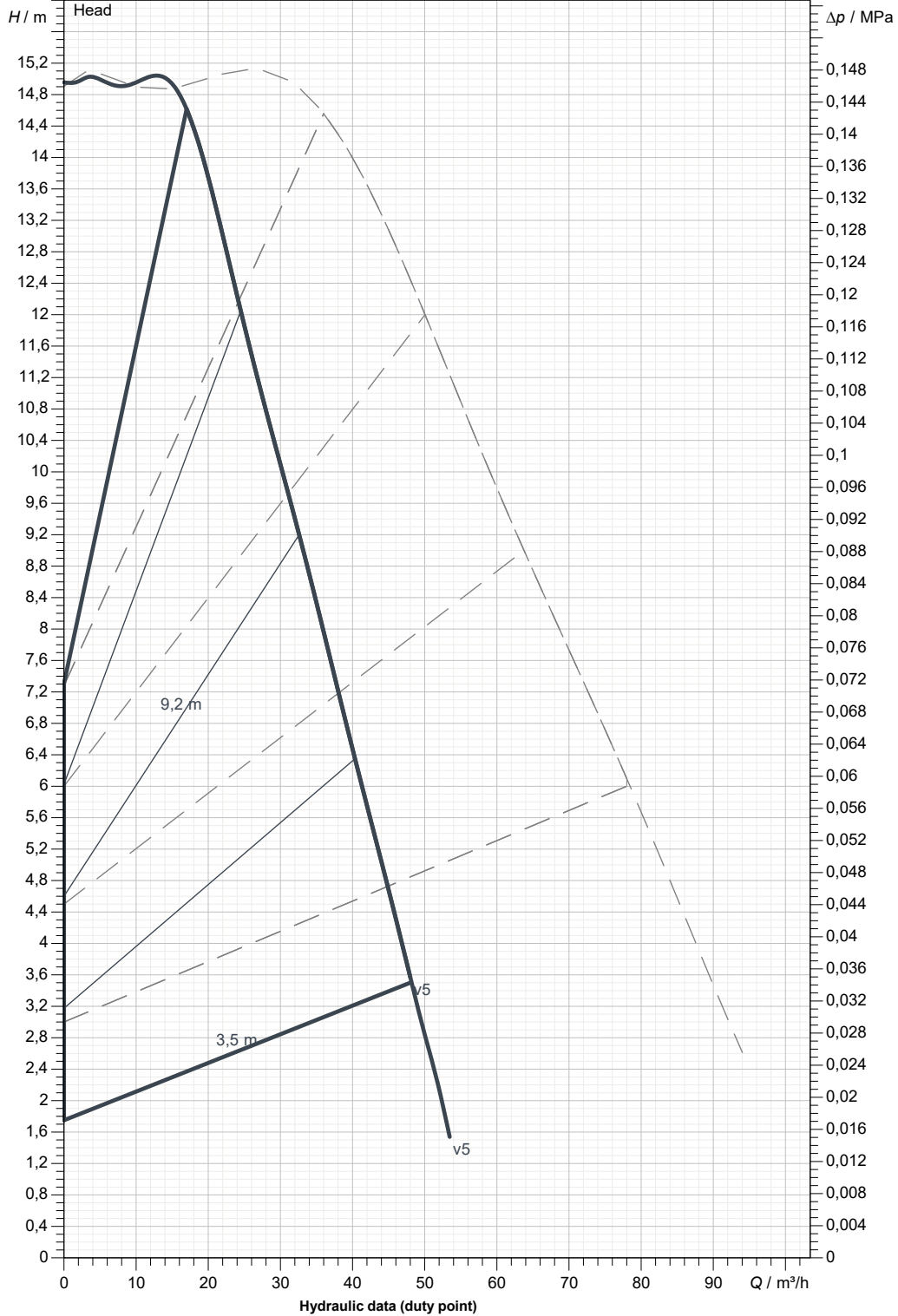
From

Society
Reference
Address
Phone
Fax
E-mail

EVOPLUS D 150/340.65 M

Number of working motors : 1

Curve tolerance according to ISO 9906



Suction side :

DN 65

PN6, PN10, PN16

Discharge side :

DN 65

PN6, PN10, PN16

Flow :

Head :

Rated speed :

2.900 1/min

MAIN_PROJECT_TITLE

BUSINESS_PROCESS_ID

OWNER_

ISSUE_DATE

2023-02-06



DIMENSIONAL DRAWING

DAB PUMPS S.p.A.
Via Marco Polo, 14 - 35035 Mestrino (PD), Italy
Tel. +39 049 5125000 - Fax +39 049 5125950
www.dabpumps.com

2023-02-0€

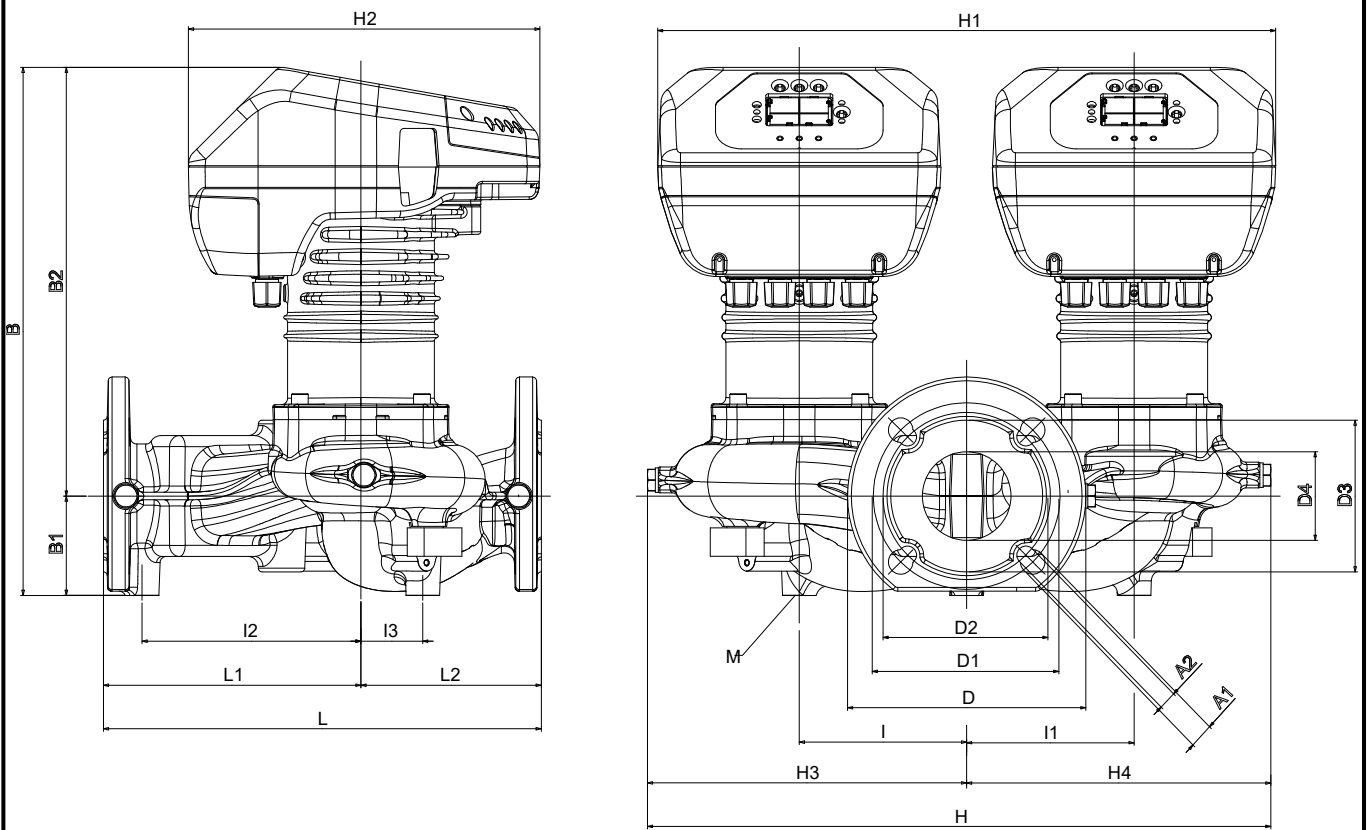
Page 3 / 3

Receiver

From

Society
Reference
Address
Phone
Fax
E-mail

EVOPLUS D 150/340.65 M



Dimensions in mm							Pump connection	
1	A1	19	H1	480	M	M12	Suction DN 65 PN6, PN10, PN16 Discharge DN 65 PN6, PN10, PN16	
2	A2	14	H2	273				
3	B	411	H3	248				
4	B1	77	H4	236				
5	B2	334	I	130				
6	D	185	I1	130				
7	D1	145	I2	170				
8	D2	130	I3	48				
9	D3	118	L	340				
10	D4	69	L1	200				
11	H	484	L2	140				

MAIN_PROJECT_TITLE	BUSINESS_PROCESS_ID	OWNER	ISSUE_DATE 2023-02-06
--------------------	---------------------	-------	---------------------------------