

Receiver

From

Society
Reference
Address
Phone
Fax
E-mail

Item n° : 60151023
Customer pos. no.:
Model : EVOPLUS D 80/360.80 M

Pump data

Pressure rating : 1,6 MPa
Min. fluid temperature : -10 °C
Max. fluid temperature : 110 °C
EEI : ≤ 0,20

Minimum suction head :

Temperature : °C 90 - 100
Minimum suction head : m 20 - 25

Requested data

Flow :
Head :
Fluid (%) :
Fluid Temperature : 20 °C
Density : 998,3 kg/m³
Kinematic viscosity : 1,005 mm²/s
Vapor pressure : 0,00 MPa

Hydraulic data (duty point)

Flow :
Head :

Materials

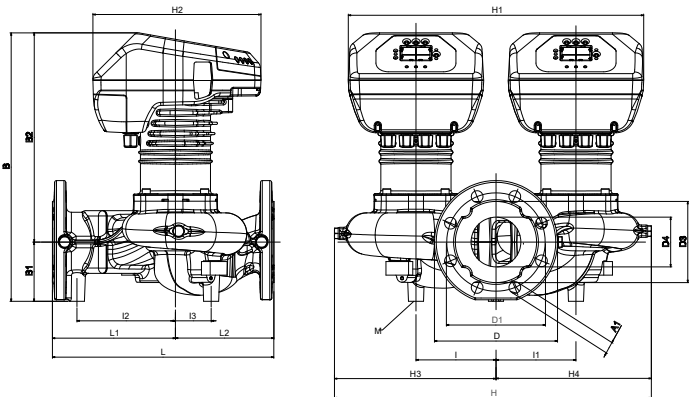
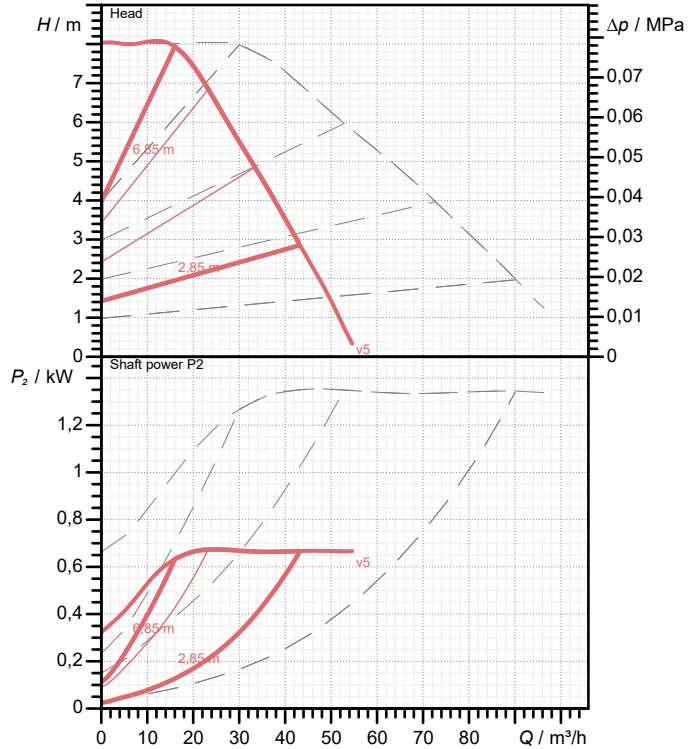
Pump body : Cast iron 250 UNI ISO 185 - CTF
Impeller : Technopolymer
Motor shaft : Stainless steel
Seal ring : EPDM
Motor casing : Die cast aluminium
Closing flange : Stainless steel
Thrust ring support : Stainless steel

Motor data

Motor brand : DAB
Power input P1 : 1 X 0,67 kW
Rated voltage : 1~ 220-240 V 50 Hz
Nominal current : 1 X 3 A
Degree of protection : IP 44

Curve tolerance according to ISO 9906

Number of working motors : 1



Dimensions in mm

A1	19	D3	132	H4	253	L1	200
B	437	D4	80	I	130	L2	160
B1	96	H	515	I1	130	M	M12
B2	341	H1	480	I2	160		
D	200	H2	273	I3	58		
D1	160	H3	262	L	360		

Weight : 55,4 kg

Pump connection

Suction side : DN 80 / PN 6
Discharge side : DN 80 / PN 6

Receiver

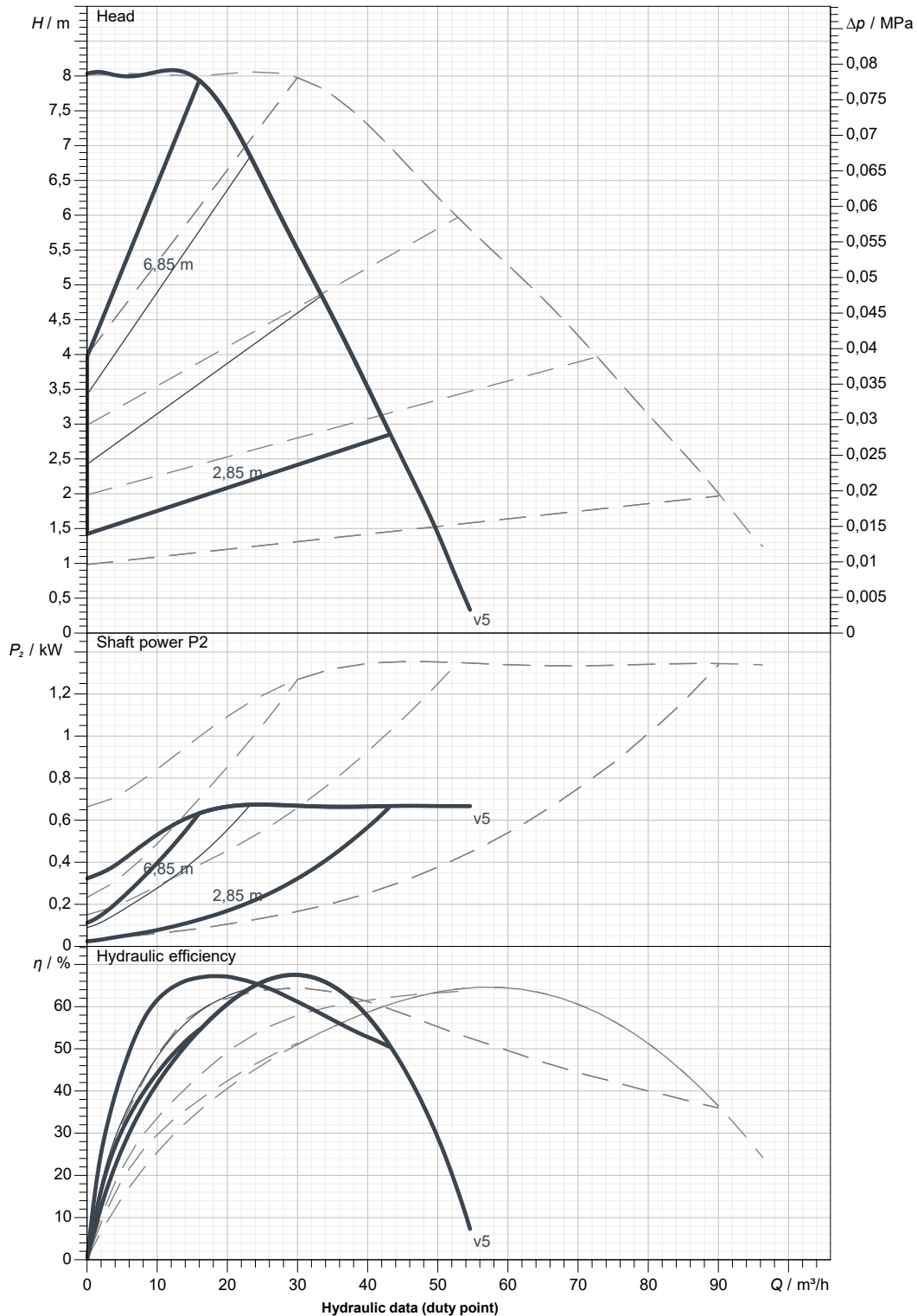
From

 Society
 Reference
 Address
 Phone
 Fax
 E-mail

EVOPLUS D 80/360.80 M

Number of working motors : 1

Curve tolerance according to ISO 9906


 Suction side :
 DN 80
 PN 6

 Discharge side :
 DN 80
 PN 6

Flow :

Head :

 Rated speed :
 2.900 1/min

MAIN_PROJECT_TITLE

BUSINESS_PROCESS_ID

OWNER_

ISSUE_DATE

2023-02-06



DIMENSIONAL DRAWING

2023-02-06

Page 3 / 3

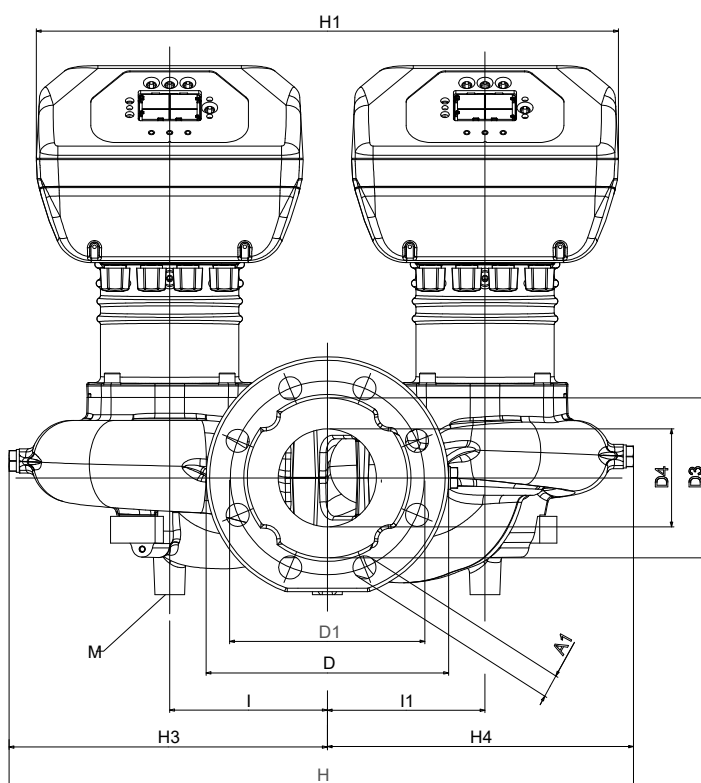
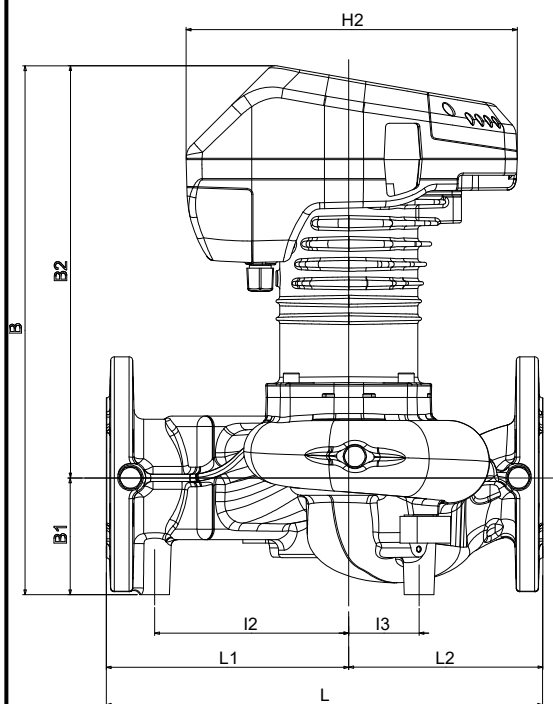
DAB PUMPS S.p.A.
Via Marco Polo, 14 - 35035 Mestrino (PD), Italy
Tel. +39 049 5125000 - Fax +39 049 5125950
www.dabpumps.com

Receiver

From

Society
Reference
Address
Phone
Fax
E-mail

EVOPLUS D 80/360.80 M



Dimensions in mm

Pump connection

1	A1	19	H3	262	Suction DN 80 PN 6 Discharge DN 80 PN 6
2	B	437	H4	253	
3	B1	96	I	130	
4	B2	341	I1	130	
5	D	200	I2	160	
6	D1	160	I3	58	
7	D3	132	L	360	
8	D4	80	L1	200	
9	H	515	L2	160	
10	H1	480	M	M12	
11	H2	273			

MAIN_PROJECT_TITLE	BUSINESS_PROCESS_ID	OWNER	ISSUE_DATE 2023-02-06
--------------------	---------------------	-------	--------------------------