

Receiver

From

Society
Reference
Address
Phone
Fax
E-mail

Item n° : 60151027
Customer pos. no.:
Model : EVOPLUS D 60/450.100 M

Pump data

Pressure rating : 1,6 MPa
Min. fluid temperature : -10 °C
Max. fluid temperature : 110 °C
EEI : ≤ 0,20

Minimum suction head :

Temperature : °C 90 - 100
Minimum suction head : m 20 - 25

Requested data

Flow :
Head :
Fluid (%) :
Fluid Temperature : 20 °C
Density : 998,3 kg/m³
Kinematic viscosity : 1,005 mm²/s
Vapor pressure : 0,00 MPa

Hydraulic data (duty point)

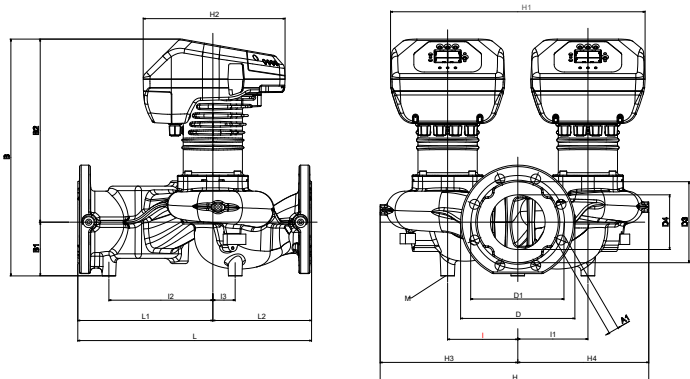
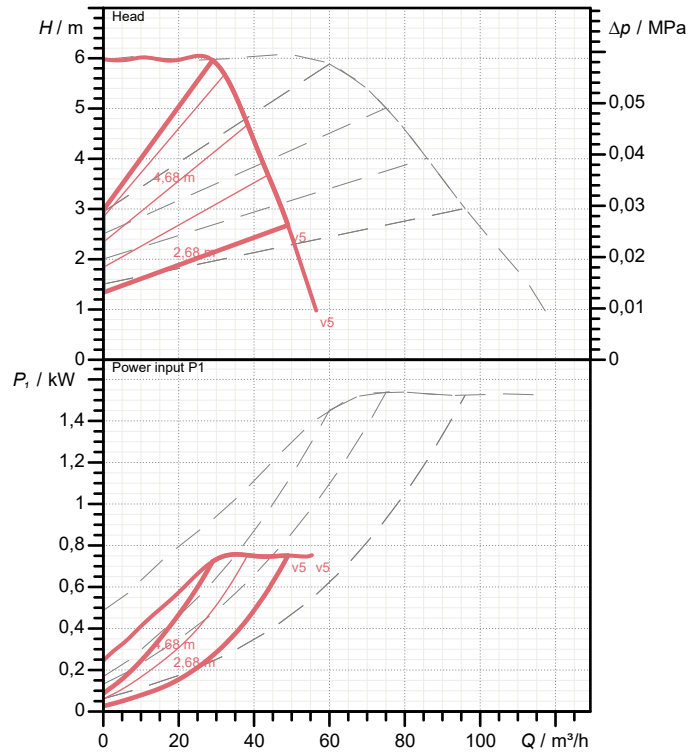
Flow :
Head :

Materials

Pump body : Cast iron 250 UNI ISO 185 - CTF
Impeller : Technopolymer
Motor shaft : Stainless steel
Seal ring : EPDM
Motor casing : Die cast aluminium
Closing flange : Stainless steel
Thrust ring support : Stainless steel

Curve tolerance according to ISO 9906

Number of working motors : 1



Motor data

Motor brand : DAB
Power input P1 : 1 X 0,76 kW
Rated voltage : 1~ 220-240 V 50 Hz
Nominal current : 1 X 3,5 A
Degree of protection : IP 44

Dimensions in mm

A1	19	D3	156	H4	252	L1	260
B	456	D4	105	I	135	L2	190
B1	103	H	517	I1	135	M	M12
B2	353	H1	490	I2	200		
D	220	H2	273	I3	43		
D1	180	H3	265	L	450		

Weight : 67,8 kg

Pump connection

Suction side : DN 100 / PN 6
Discharge side : DN 100 / PN 6



PERFORMANCE CURVES

2023-02-06

Page 2 / 3

DAB PUMPS S.p.A.
Via Marco Polo, 14 - 35035 Mestrino (PD), Italy
Tel. +39 049 5125000 - Fax +39 049 5125950
www.dabpumps.com

Receiver

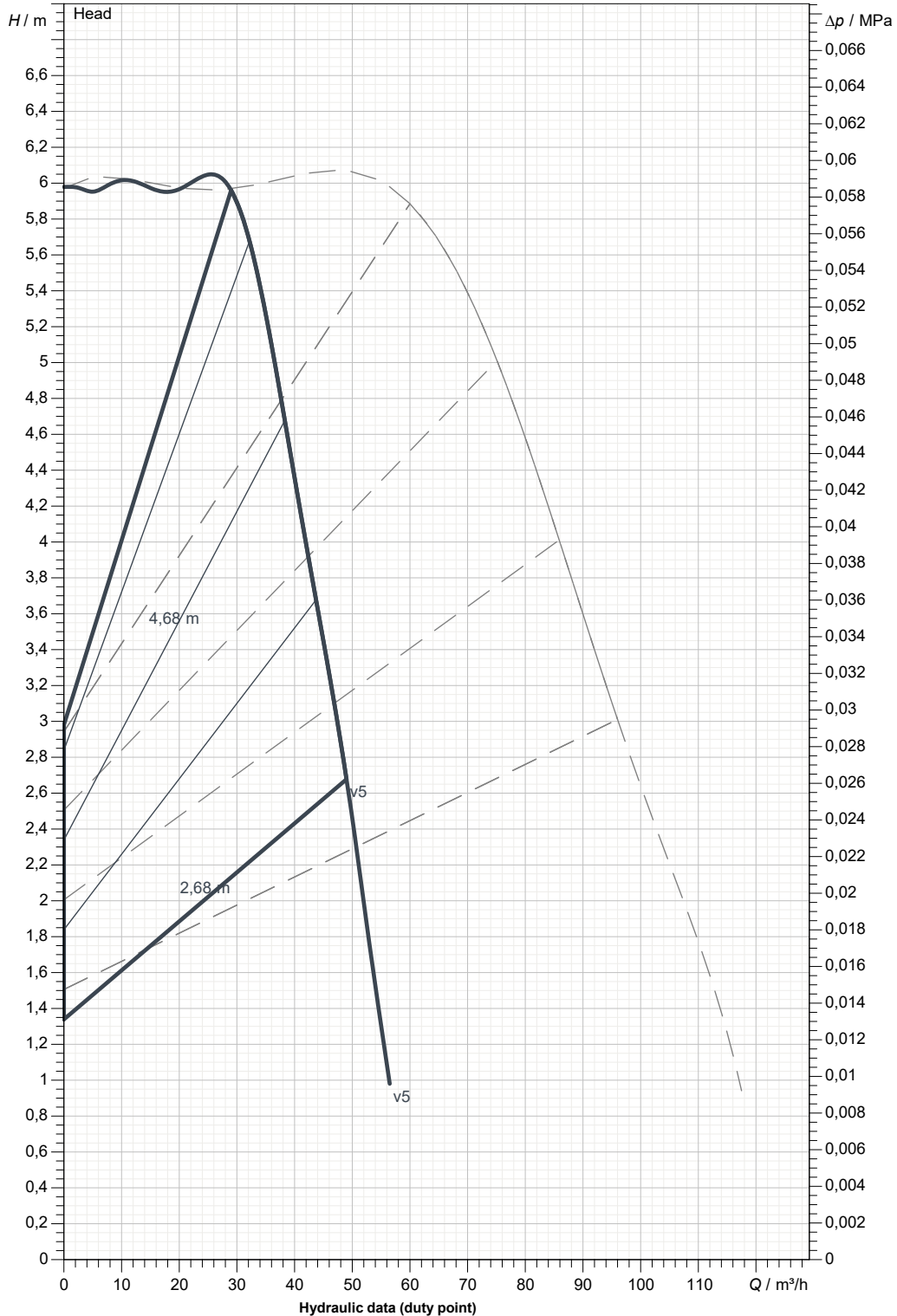
From

Society
Reference
Address
Phone
Fax
E-mail

EVOPLUS D 60/450.100 M

Number of working motors : 1

Curve tolerance according to ISO 9906



Suction side :
DN 100
PN 6

Discharge side :
DN 100
PN 6

Flow :

Head :

Rated speed :
2.900 1/min

MAIN_PROJECT_TITLE

BUSINESS_PROCESS_ID

OWNER_

ISSUE_DATE

2023-02-06



DIMENSIONAL DRAWING

2023-02-06

Page 3 / 3

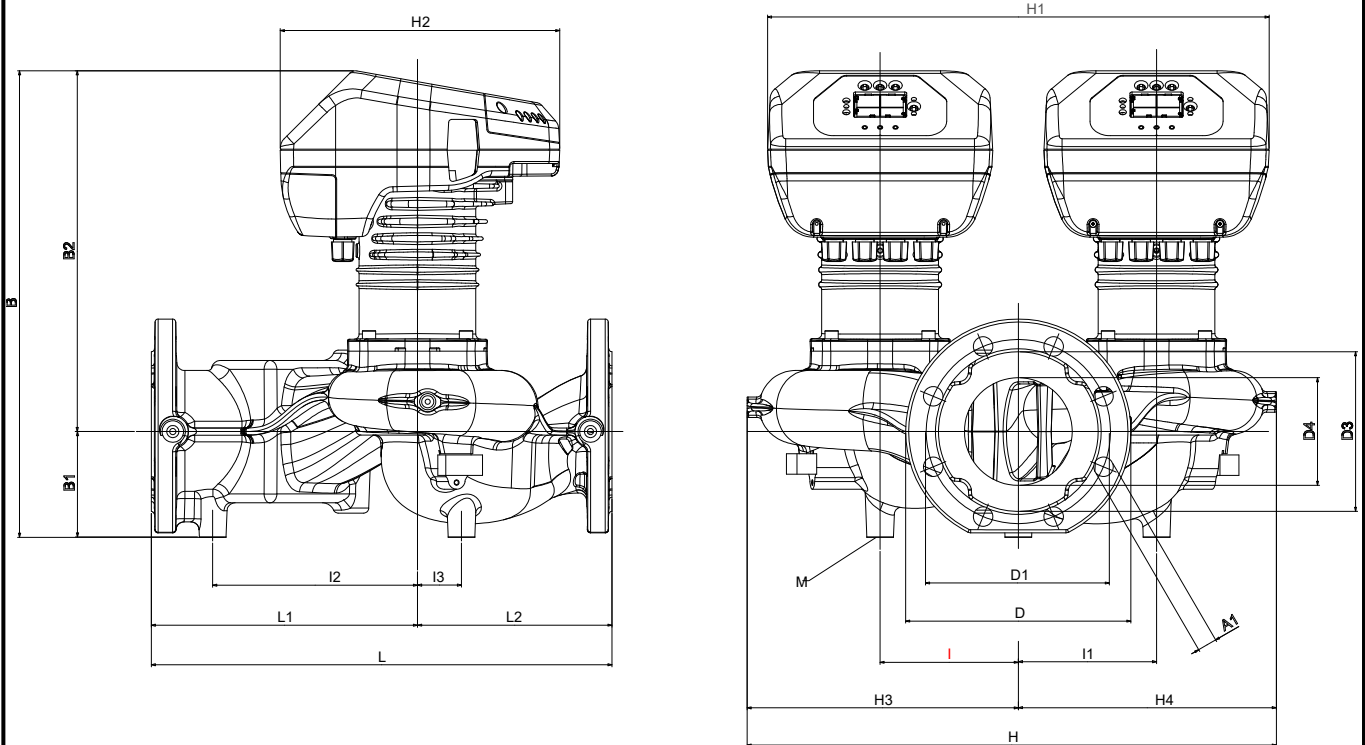
DAB PUMPS S.p.A.
Via Marco Polo, 14 - 35035 Mestrino (PD), Italy
Tel. +39 049 5125000 - Fax +39 049 5125950
www.dabpumps.com

Receiver

From

Society
Reference
Address
Phone
Fax
E-mail

EVOPLUS D 60/450.100 M



Dimensions in mm

Pump connection

1	A1	19	H3	265	Suction DN 100 PN 6 Discharge DN 100 PN 6
2	B	456	H4	252	
3	B1	103	I	135	
4	B2	353	I1	135	
5	D	220	I2	200	
6	D1	180	I3	43	
7	D3	156	L	450	
8	D4	105	L1	260	
9	H	517	L2	190	
10	H1	490	M	M12	
11	H2	273			

MAIN_PROJECT_TITLE

BUSINESS_PROCESS_ID

OWNER

ISSUE_DATE

2023-02-06