

**Receiver**

**From**

Society  
Reference  
Address  
Phone  
Fax  
E-mail

**Item n° :** 60151030  
**Customer pos. no.:**  
**Model :** EVOPLUS D 120/450.100 M

**Pump data**

Pressure rating : 1,6 MPa  
Min. fluid temperature : -10 °C  
Max. fluid temperature : 110 °C  
EEI : ≤ 0,20

**Minimum suction head :**

Temperature : °C 90 - 100  
Minimum suction head : m 20 - 25

**Requested data**

Flow :  
Head :  
Fluid (%) :  
Fluid Temperature : 20 °C  
Density : 998,3 kg/m³  
Kinematic viscosity : 1,005 mm²/s  
Vapor pressure : 0,00 MPa

**Hydraulic data (duty point)**

Flow :  
Head :

**Materials**

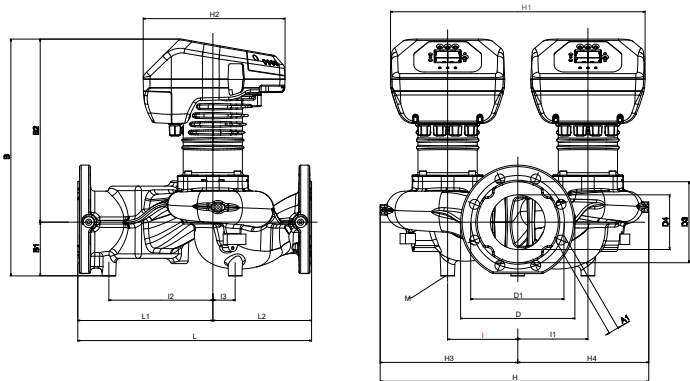
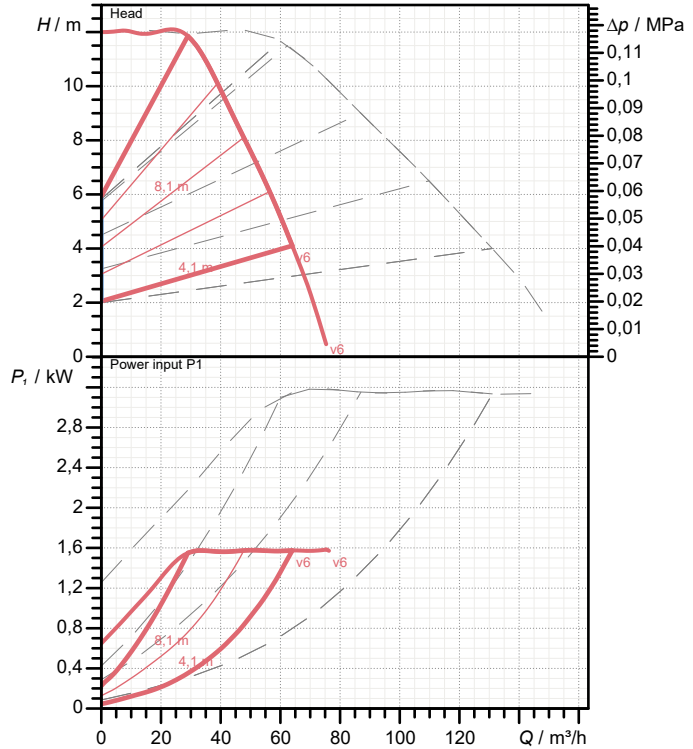
Pump body : Cast iron 250 UNI ISO 185 - CTF  
Impeller : Technopolymer  
Motor shaft : Stainless steel  
Seal ring : EPDM  
Motor casing : Die cast aluminium  
Closing flange : Stainless steel  
Thrust ring support : Stainless steel

**Motor data**

Motor brand : DAB  
Power input P1 : 1 X 1,56 kW  
Rated voltage : 1~ 220-240 V 50 Hz  
Nominal current : 1 X 7 A  
Degree of protection : IP 44

**Curve tolerance according to ISO 9906**

Number of working motors : 1



**Dimensions in mm**

A1	19	D3	156	H4	252	L1	260
B	456	D4	105	I	135	L2	190
B1	103	H	517	I1	135	M	M12
B2	353	H1	490	I2	200		
D	220	H2	273	I3	43		
D1	180	H3	265	L	450		

**Weight :** 67,8 kg

**Pump connection**

Suction side : DN 100 / PN 6  
Discharge side : DN 100 / PN 6



# PERFORMANCE CURVES

2023-02-06

Page 2 / 3

DAB PUMPS S.p.A.  
Via Marco Polo, 14 - 35035 Mestrino (PD), Italy  
Tel. +39 049 5125000 - Fax +39 049 5125950  
www.dabpumps.com

Receiver

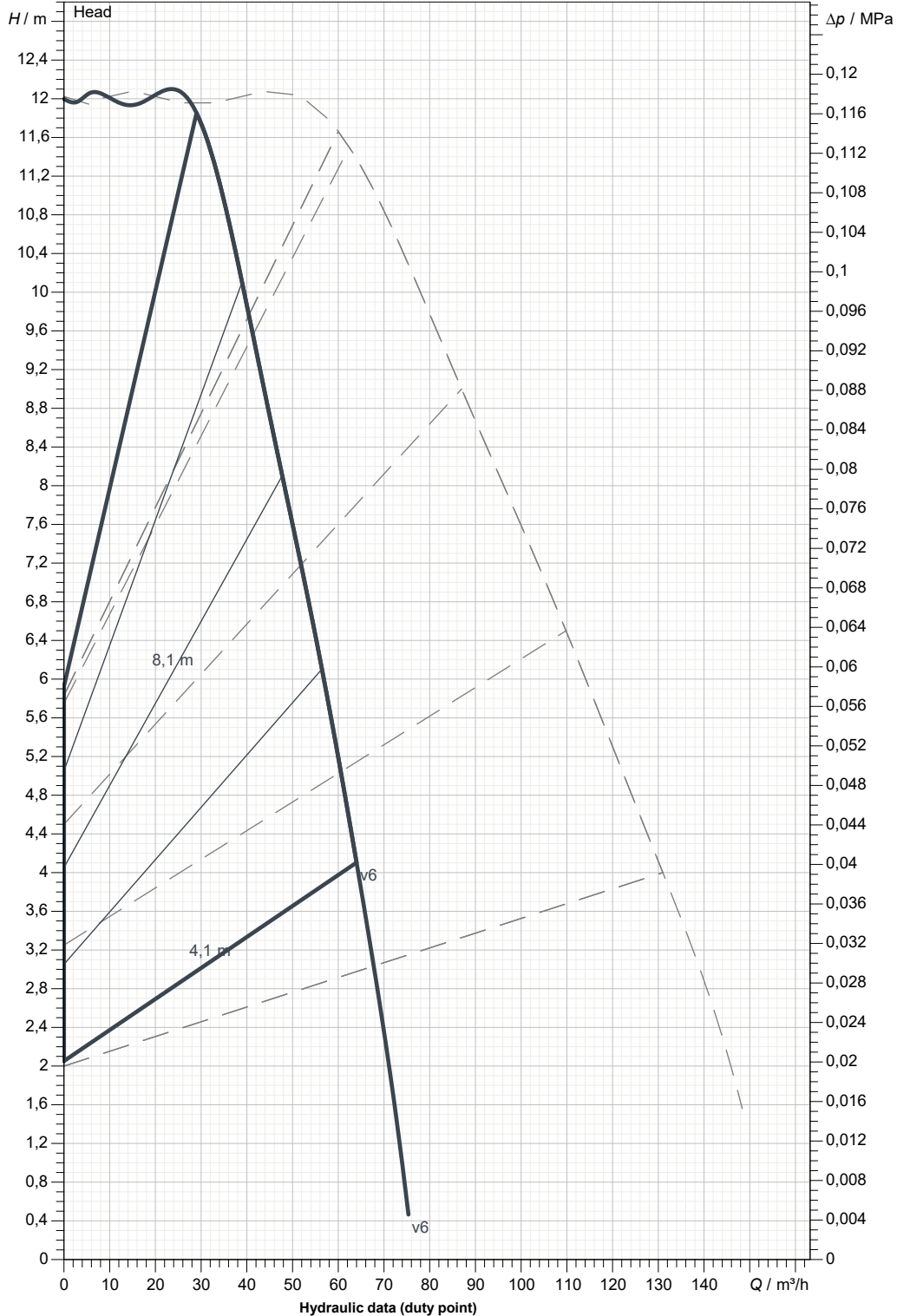
From

Society  
Reference  
Address  
Phone  
Fax  
E-mail

## EVOPLUS D 120/450.100 M

Number of working motors : 1

Curve tolerance according to ISO 9906



Suction side :  
DN 100  
PN 6

Discharge side :  
DN 100  
PN 6

Flow :

Head :

Rated speed :  
2.900 1/min

MAIN\_PROJECT\_TITLE

BUSINESS\_PROCESS\_ID

OWNER\_

ISSUE\_DATE

2023-02-06



# DIMENSIONAL DRAWING

2023-02-06

Page 3 / 3

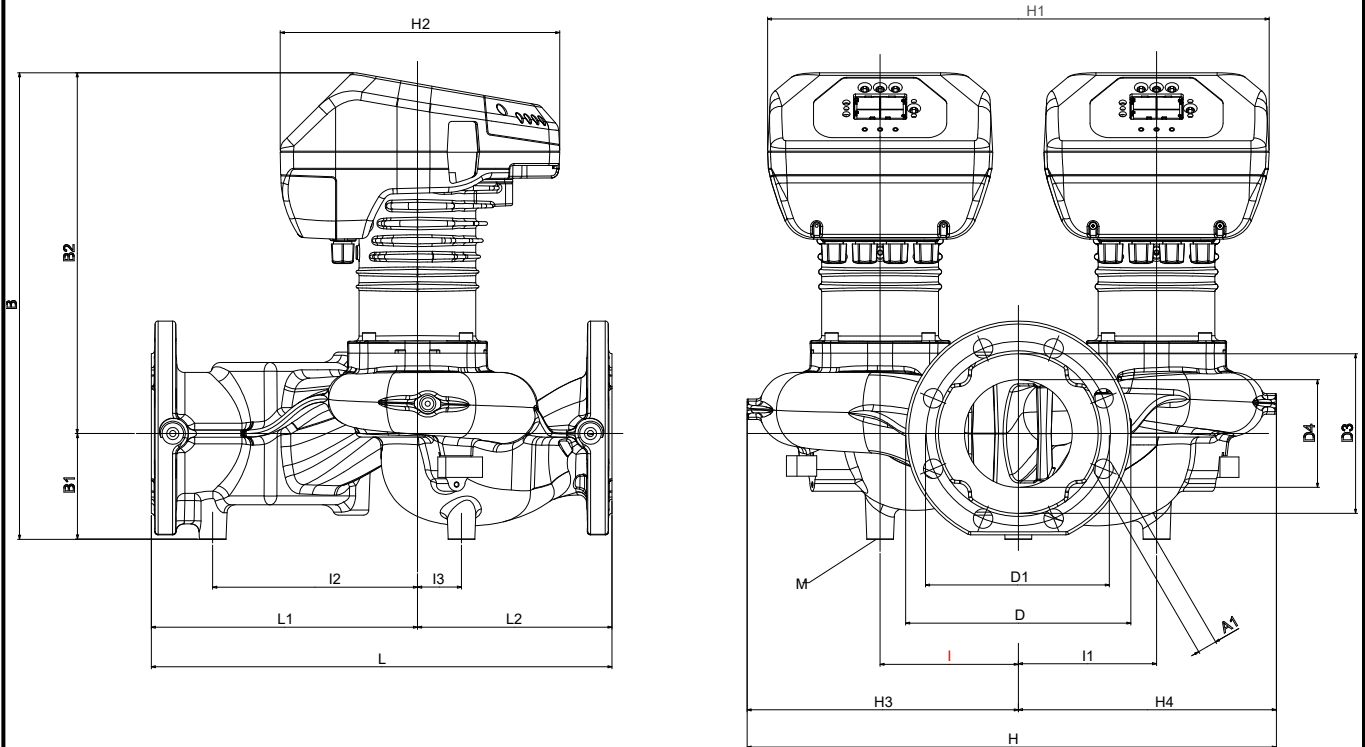
DAB PUMPS S.p.A.  
Via Marco Polo, 14 - 35035 Mestrino (PD), Italy  
Tel. +39 049 5125000 - Fax +39 049 5125950  
www.dabpumps.com

Receiver

From

Society  
Reference  
Address  
Phone  
Fax  
E-mail

## EVOPLUS D 120/450.100 M



Dimensions in mm					Pump connection	
1	A1	19	H3	265	Suction DN 100 PN 6	
2	B	456	H4	252		
3	B1	103	I	135		
4	B2	353	I1	135		
5	D	220	I2	200		
6	D1	180	I3	43		
7	D3	156	L	450		Discharge DN 100 PN 6
8	D4	105	L1	260		
9	H	517	L2	190		
10	H1	490	M	M12		
11	H2	273				

MAIN_PROJECT_TITLE	BUSINESS_PROCESS_ID	OWNER	ISSUE_DATE 2023-02-06
--------------------	---------------------	-------	--------------------------