

Qty. Description

1 TP 32-100/4 A-F-A-BQQE-DW3


Note! Product picture may differ from actual product

 Product No.: [96086740](#)

Single-stage, close-coupled, volute pump with in-line suction and discharge ports of identical diameter. The pump is of the top-pull-out design, i.e. the power head (motor, pump head and impeller) can be removed for maintenance or service while the pump housing remains in the pipework.

The pump is fitted with an unbalanced rubber bellows seal. The shaft seal is according to EN 12756. Pipework connection is via PN 16 DIN flanges (EN 1092-2 and ISO 7005-2).

The pump is fitted with a fan-cooled asynchronous motor.

Controls:

Frequency converter: None

Liquid:

 Pumped liquid: Water
 Liquid temperature range: -25 .. 120 °C
 Selected liquid temperature: 20 °C
 Density: 998.2 kg/m³
Technical:

 Pump speed on which pump data are based: 1410 rpm
 Rated flow: 9.96 m³/h
 Rated head: 7.2 m
 Actual impeller diameter: 169 mm
 Code for shaft seal: BQQE
 Curve tolerance: ISO9906:2012 3B2

Materials:

 Pump housing: Cast iron
 EN-GJL-250
 ASTM class 35
 Impeller: Cast iron
 EN-GJL-200
 ASTM class 30

Installation:

 Range of ambient temperature: -30 .. 40 °C
 Maximum operating pressure: 16 bar
 Max pressure at stated temp: 16 bar / 120 °C
 Type of connection: DIN
 Size of connection: DN 32
 Pressure rating for connection: PN 16
 Port-to-port length: 340 mm
 Flange size for motor: FF130

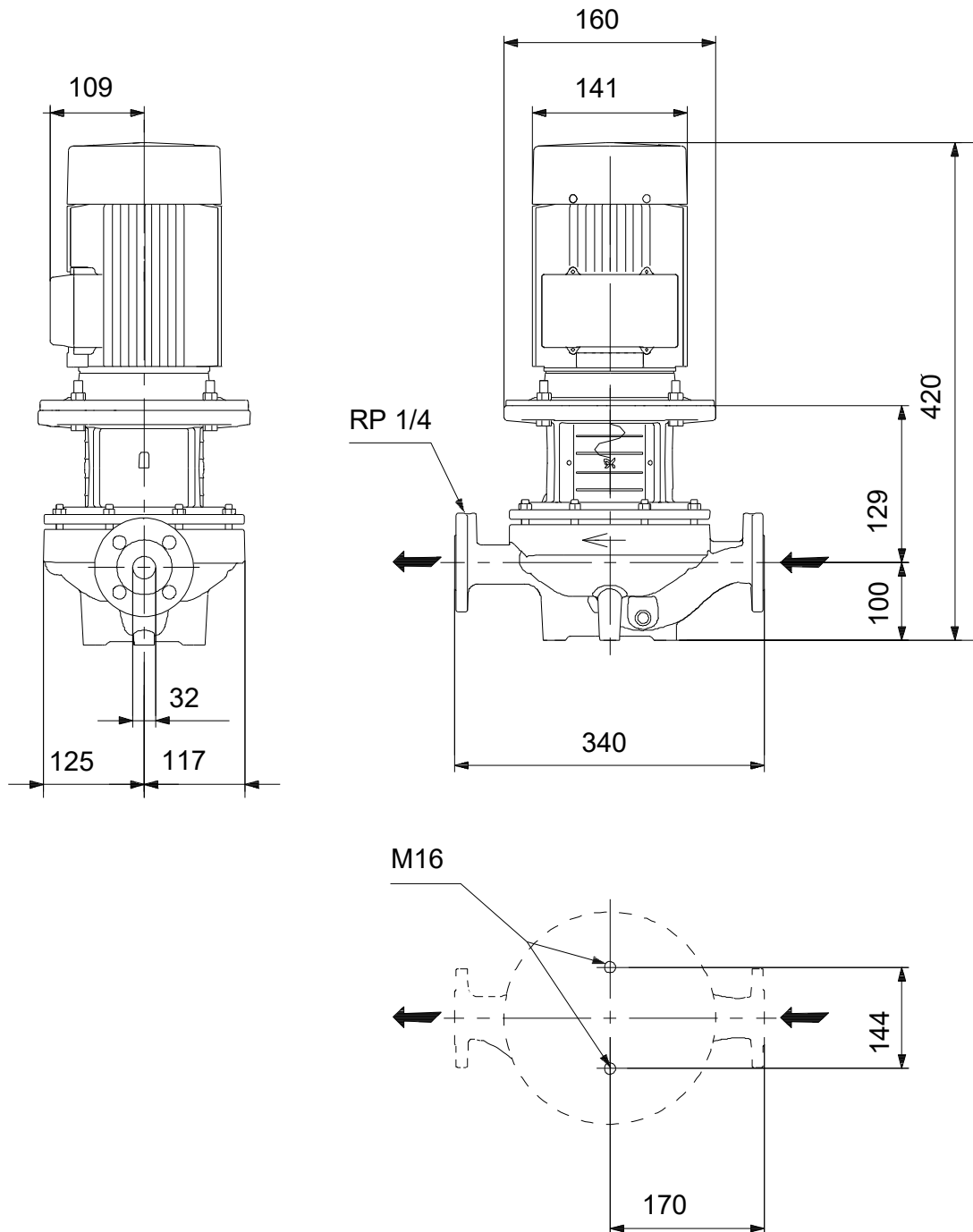
Electrical data:

Motor type: 71B

Qty. Description

1	Rated power - P2: 0.37 kW Mains frequency: 50 Hz Rated voltage: 3 x 220-240D/380-415Y V Rated current: 1,80-1,83/1,04-1,06 A Starting current: 390-430 % Cos phi - power factor: 0.78-0.69 Rated speed: 1390-1410 rpm IE Efficiency class: IE2 Motor efficiency at full load: 72.8-73.1 % Motor efficiency at 3/4 load: 75.6-72.9 % Motor efficiency at 1/2 load: 73.8-67.8 % Number of poles: 4 Enclosure class (IEC 34-5): 55 Dust/Jetting Insulation class (IEC 85): F Motor No: 99957665 Others: Minimum efficiency index, MEI \geq : 0.70 Net weight: 36 kg Gross weight: 47 kg Shipping volume: 0.162 m ³ Danish VVS No.: 381711100 Finnish LVI No.: 4616012 Norwegian NRF no.: 9043518 Country of origin: HU Custom tariff no.: 84137051
---	--

96086740 TP 32-100/4 A-F-A-BQQE-DW3 50 Hz



Note! All units are in [mm] unless others are stated.
Disclaimer: This simplified dimensional drawing does not show all details.