

**Qty. Description**

1 TP 32-180/2 A-F-Z-BQQE-EW1



Note! Product picture may differ from actual product

Product No.: [98958118](#)

Single-stage, close-coupled, volute pump with in-line suction and discharge ports of identical diameter. The pump is of the top-pull-out design, i.e. the power head (motor, pump head and impeller) can be removed for maintenance or service while the pump housing remains in the pipework.

The pump is fitted with an unbalanced rubber bellows seal. The shaft seal is according to EN 12756. Pipework connection is via PN 6/10 DIN flanges (EN 1092-2 and ISO 7005-2).

The pump is fitted with a fan-cooled asynchronous motor.

Controls:

Frequency converter: None

Liquid:

Pumped liquid: Water  
 Liquid temperature range: -25 .. 120 °C  
 Selected liquid temperature: 20 °C  
 Density: 998.2 kg/m<sup>3</sup>

Technical:

Pump speed on which pump data are based: 2840 rpm  
 Rated flow: 6.5 m<sup>3</sup>/h  
 Rated head: 12.17 m  
 Actual impeller diameter: 118 mm  
 Code for shaft seal: BQQE  
 Curve tolerance: ISO9906:2012 3B2

Materials:

Pump housing: Bronze  
 CuSn10  
 ASTM B505  
 Impeller: Stainless steel  
 EN 1.4301  
 AISI 304

Installation:

Range of ambient temperature: -30 .. 60 °C  
 Maximum operating pressure: 10 bar  
 Max pressure at stated temp: 10 bar / 120 °C  
 Type of connection: DIN  
 Size of connection: DN 32  
 Pressure rating for connection: PN 6/10  
 Port-to-port length: 280 mm  
 Flange size for motor: FT85

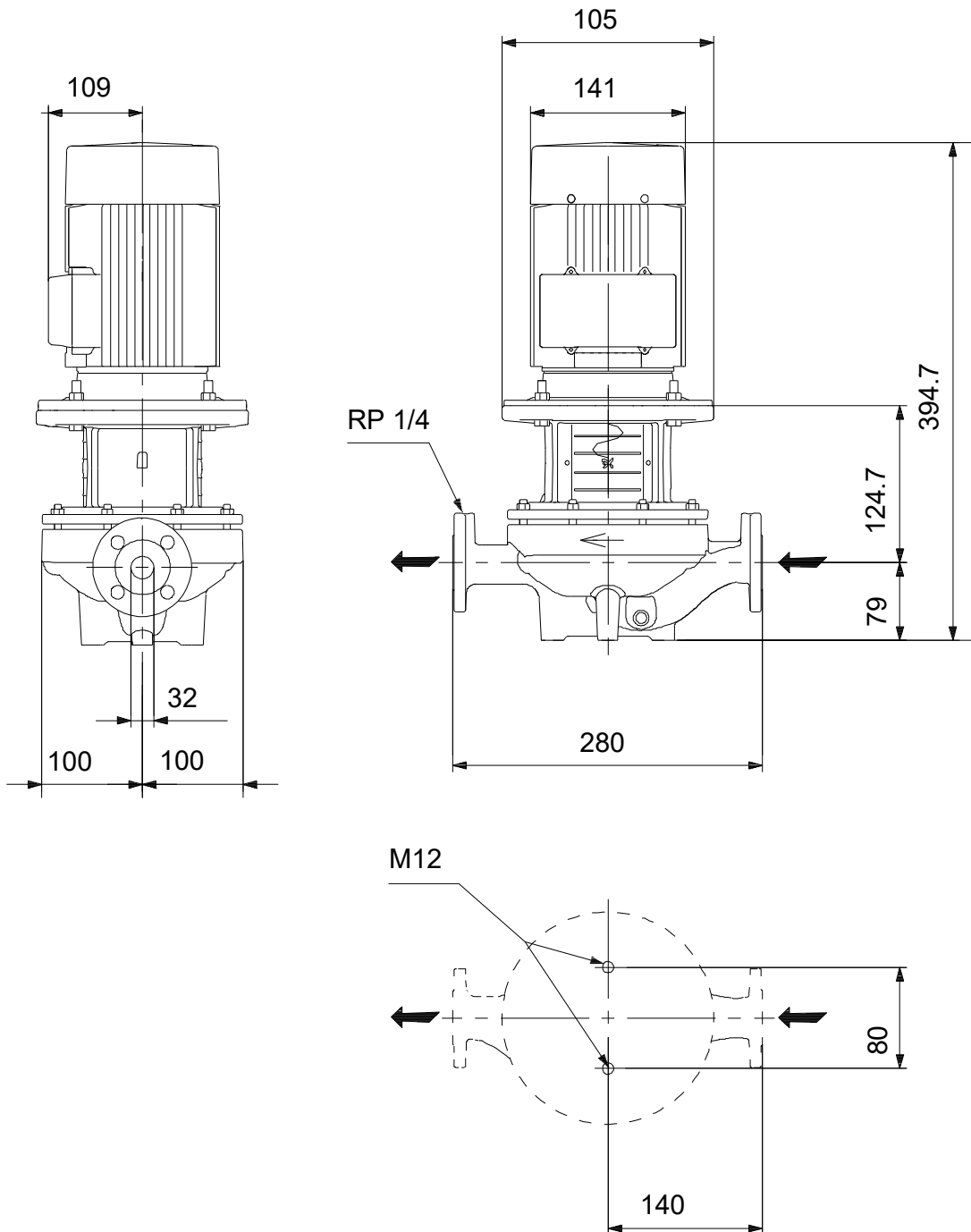
Electrical data:

Motor type: 71B

Qty.	Description
------	-------------

1	<p>Rated power - P2: 0.55 kW</p> <p>Mains frequency: 50 Hz</p> <p>Rated voltage: 3 x 220-240D/380-415Y V</p> <p>Rated current: 2.50/1.44 A</p> <p>Starting current: 580-620 %</p> <p>Cos phi - power factor: 0.80-0.70</p> <p>Rated speed: 2830-2850 rpm</p> <p>IE Efficiency class: IE3</p> <p>Motor efficiency at full load: 77.8-77.8 %</p> <p>Motor efficiency at 3/4 load: 81.5-78.5 %</p> <p>Motor efficiency at 1/2 load: 79.5-74.5 %</p> <p>Number of poles: 2</p> <p>Enclosure class (IEC 34-5): 55 Dust/Jetting</p> <p>Insulation class (IEC 85): F</p> <p>Motor No: 85805103</p> <p>Others:</p> <p>Minimum efficiency index, MEI <math>\geq</math>: 0.70</p> <p>Net weight: 24.7 kg</p> <p>Gross weight: 28.2 kg</p> <p>Shipping volume: 0.08 m<sup>3</sup></p> <p>Danish VVS No.: 381881180</p> <p>Country of origin: HU</p> <p>Custom tariff no.: 84137051</p>
---	---

**98958118 TP 32-180/2 A-F-Z-BQQE-EW1 50 Hz**



Note! All units are in [mm] unless others are stated.  
Disclaimer: This simplified dimensional drawing does not show all details.