

Receiver

From

Society
Reference
Address
Phone
Fax
E-mail

Item n° : Customer pos. no.:
60150939
Model :
EVOPLUS 60/180 M

Pump data
Pressure rating : 1,6 MPa
Min. fluid temperature : -10 °C
Max. fluid temperature : 110 °C
EEI : ≤ 0,20

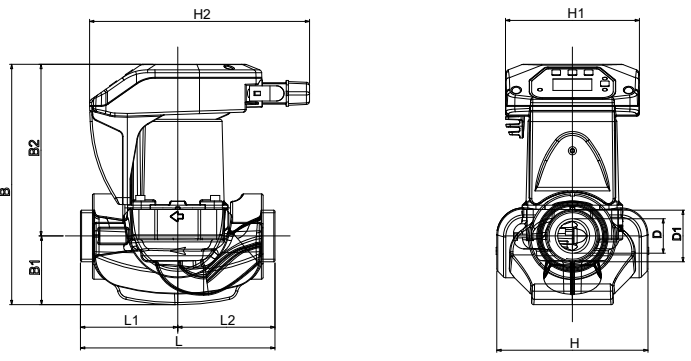
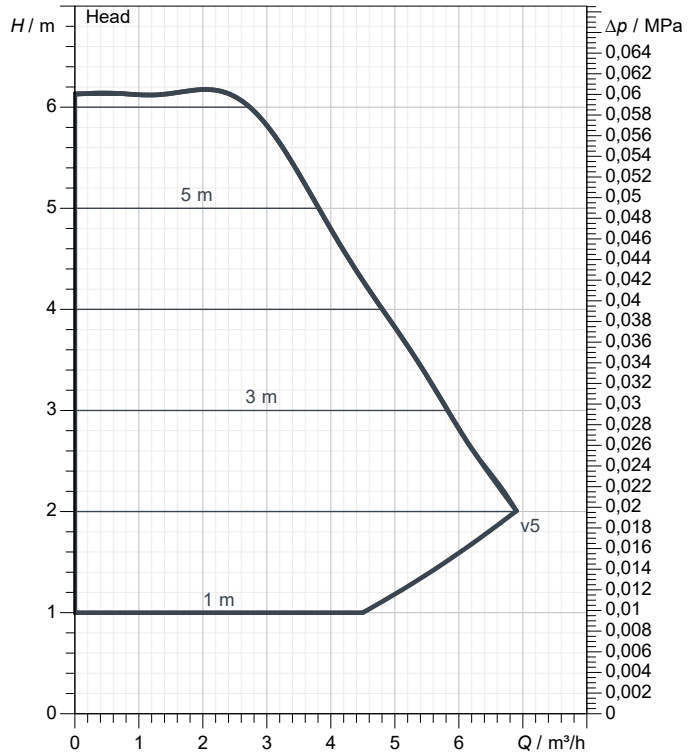
Minimum suction head :
Temperature °C 90 100
Minimum suction head : m 20 25

Requested data
Flow :
Head :
Fluid (%) :
Fluid Temperature : 20 °C
Density : 998,3 kg/m³
Kinematic viscosity : 1,005 mm²/s
Vapor pressure : 0,00 MPa

Hydraulic data (duty point)
Flow :
Head :

Materials
Pump body : Cast iron 250 UNI ISO 185 - CTF
Impeller : Technopolymer
Motor shaft : Alumina
Seal ring : EPDM
Motor casing : Die cast aluminium
Closing flange : Stainless steel
Thrust ring support : EPDM

Curve tolerance according to ISO 9906



Motor data
Motor brand : DAB
Power input P1 : 0,1 kW
Rated voltage : 1~ 220-240 V 50 Hz
Nominal current : 0,72 A
Degree of protection : IP 44

Dimensions in mm	
B	224
B1	65
B2	159
D	32
D1	1"1/2 G
H	124
H1	124
H2	204
L	180
L1	90
L2	90
Weight : 4,5 kg	
Pump connection	
Suction side :	1"1/2 G
Discharge side :	1"1/2 G



PERFORMANCE CURVES

2023-02-03

Page 2 / 3

DAB PUMPS S.p.A.
Via Marco Polo, 14 - 35035 Mestrino (PD), Italy
Tel. +39 049 5125000 - Fax +39 049 5125950
www.dabpumps.com

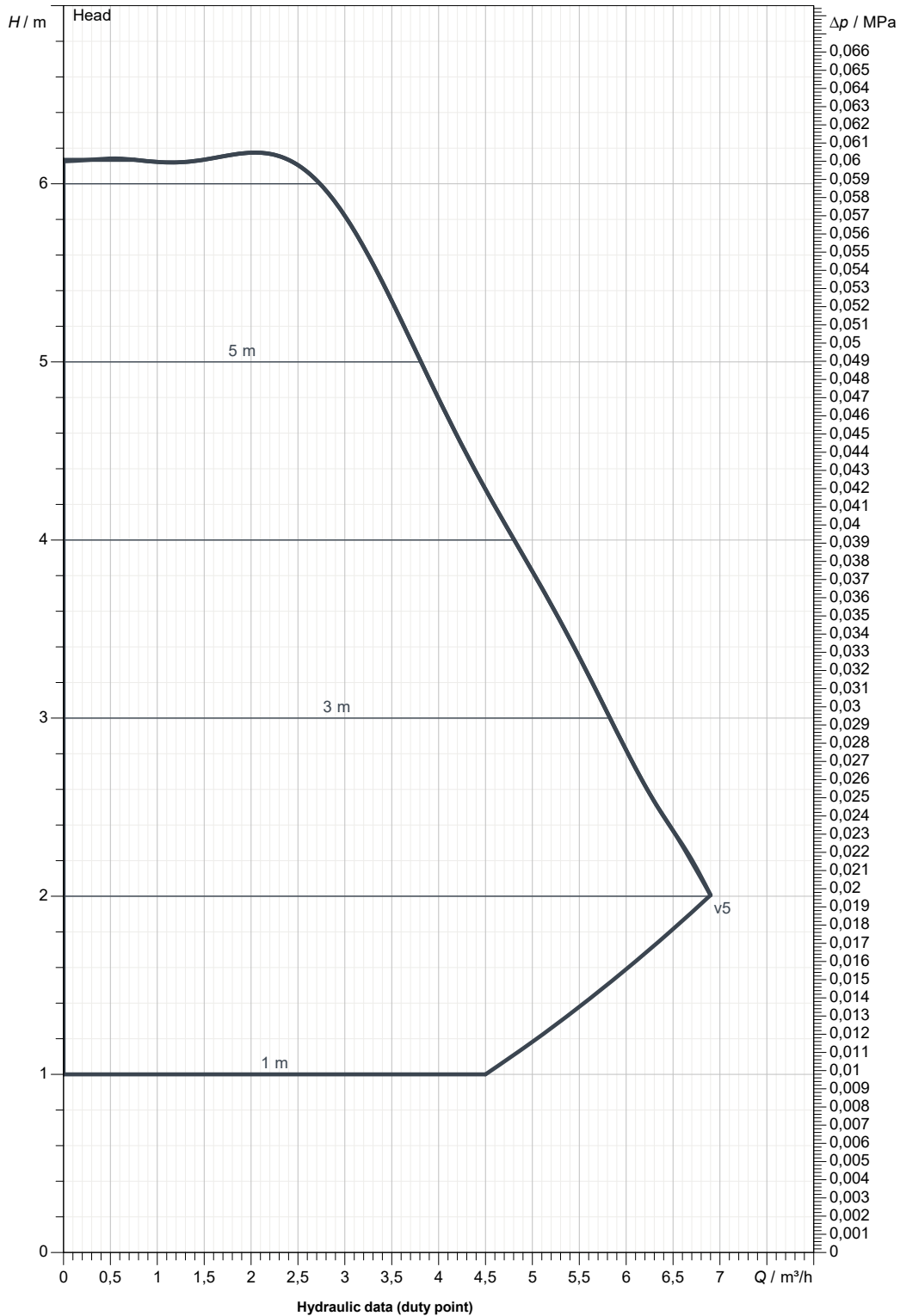
Receiver

From

Society
Reference
Address
Phone
Fax
E-mail

EVOPLUS 60/180 M

Curve tolerance according to ISO 9906



Suction side :
1"1/2 G
1,6 MPa

Discharge side :
1"1/2 G
1,6 MPa

Flow :

Head :

Rated speed :
2.900 1/min

MAIN_PROJECT_TITLE

BUSINESS_PROCESS_ID

OWNER_

ISSUE_DATE
2023-02-03



DIMENSIONAL DRAWING

DAB PUMPS S.p.A.
Via Marco Polo, 14 - 35035 Mestrino (PD), Italy
Tel. +39 049 5125000 - Fax +39 049 5125950
www.dabpumps.com

2023-02-03

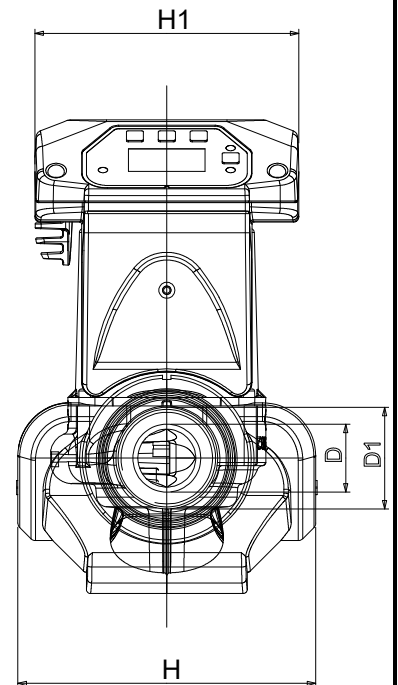
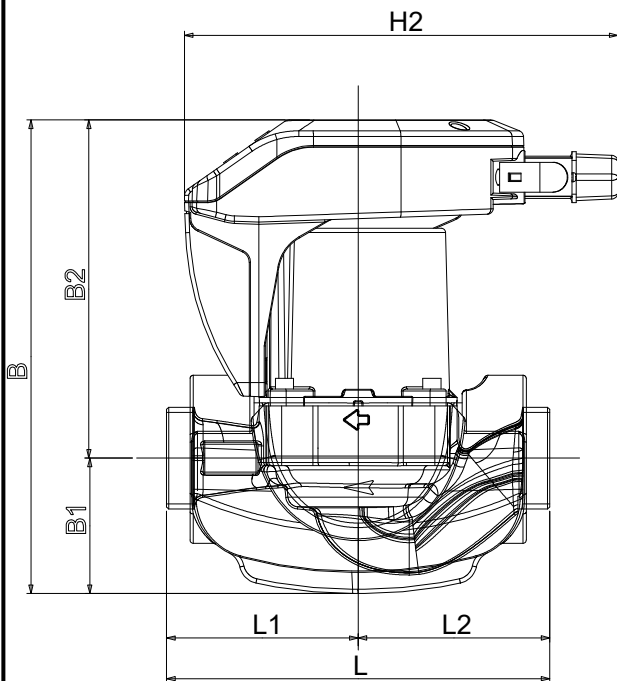
Page 3 / 3

Receiver

From

Society
Reference
Address
Phone
Fax
E-mail

EVOPLUS 60/180 M



Dimensions in mm				Pump connection	
1	B	224			
2	B1	65			Suction
3	B2	159			1"1/2 G
4	D	32			1,6 MPa
5	D1	1"1/2 G			
6	H	124			Discharge
7	H1	124			1"1/2 G
8	H2	204			1,6 MPa
9	L	180			
10	L1	90			
11	L2	90			

MAIN_PROJECT_TITLE	BUSINESS_PROCESS_ID	OWNER	ISSUE_DATE 2023-02-03
--------------------	---------------------	-------	--------------------------