

**Receiver**

**From**

Society  
Reference  
Address  
Phone  
Fax  
E-mail

**Item n° :** 60150940  
**Customer pos. no.:**  
**Model :** EVOPLUS 80/180 M

**Pump data**  
Pressure rating : 1,6 MPa  
Min. fluid temperature : -10 °C  
Max. fluid temperature : 110 °C  
EEI : ≤ 0,20

**Minimum suction head :**  
Temperature °C 90 100  
Minimum suction head : m 20 25

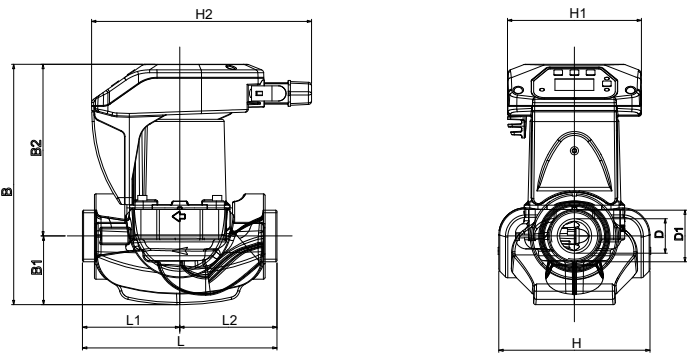
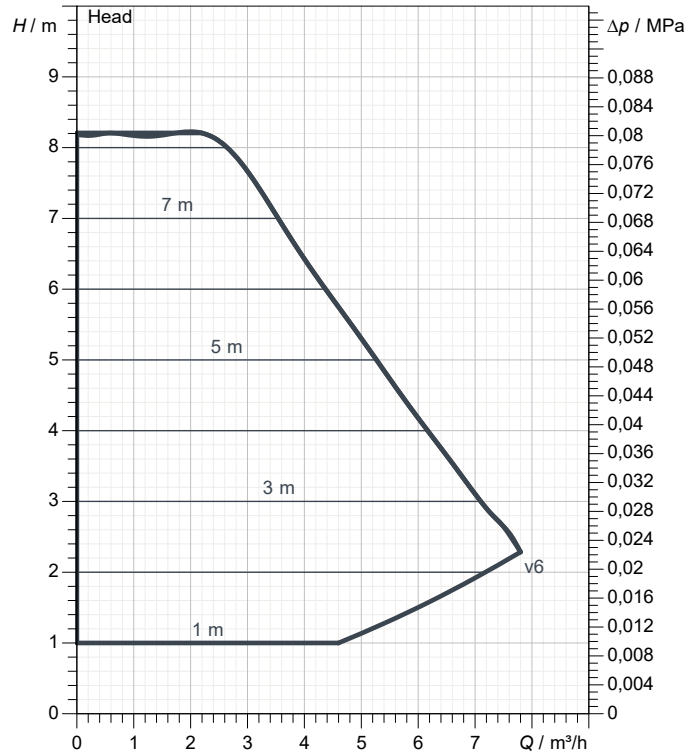
**Requested data**  
Flow :  
Head :  
Fluid (%) :  
Fluid Temperature : 20 °C  
Density : 998,3 kg/m³  
Kinematic viscosity : 1,005 mm²/s  
Vapor pressure : 0,00 MPa

**Hydraulic data (duty point)**  
Flow :  
Head :

**Materials**  
Pump body : Cast iron 250 UNI ISO 185 - CTF  
Impeller : Technopolymer  
Motor shaft : Alumina  
Seal ring : EPDM  
Motor casing : Die cast aluminium  
Closing flange : Stainless steel  
Thrust ring support : EPDM

**Motor data**  
Motor brand : DAB  
Power input P1 : 0,13 kW  
Rated voltage : 1~ 220-240 V 50 Hz  
Nominal current : 0,95 A  
Degree of protection : IP 44

**Curve tolerance according to ISO 9906**



Dimensions in mm	
B	224
B1	65
B2	159
D	32
D1	1"1/2 G
H	124
H1	124
H2	204
L	180
L1	90
L2	90
<b>Weight :</b> 4,5 kg	
<b>Pump connection</b>	
Suction side :	1"1/2 G
Discharge side :	1"1/2 G



WATER • TECHNOLOGY

# PERFORMANCE CURVES

2023-02-03

Page 2 / 3

DAB PUMPS S.p.A.  
Via Marco Polo, 14 - 35035 Mestrino (PD), Italy  
Tel. +39 049 5125000 - Fax +39 049 5125950  
www.dabpumps.com

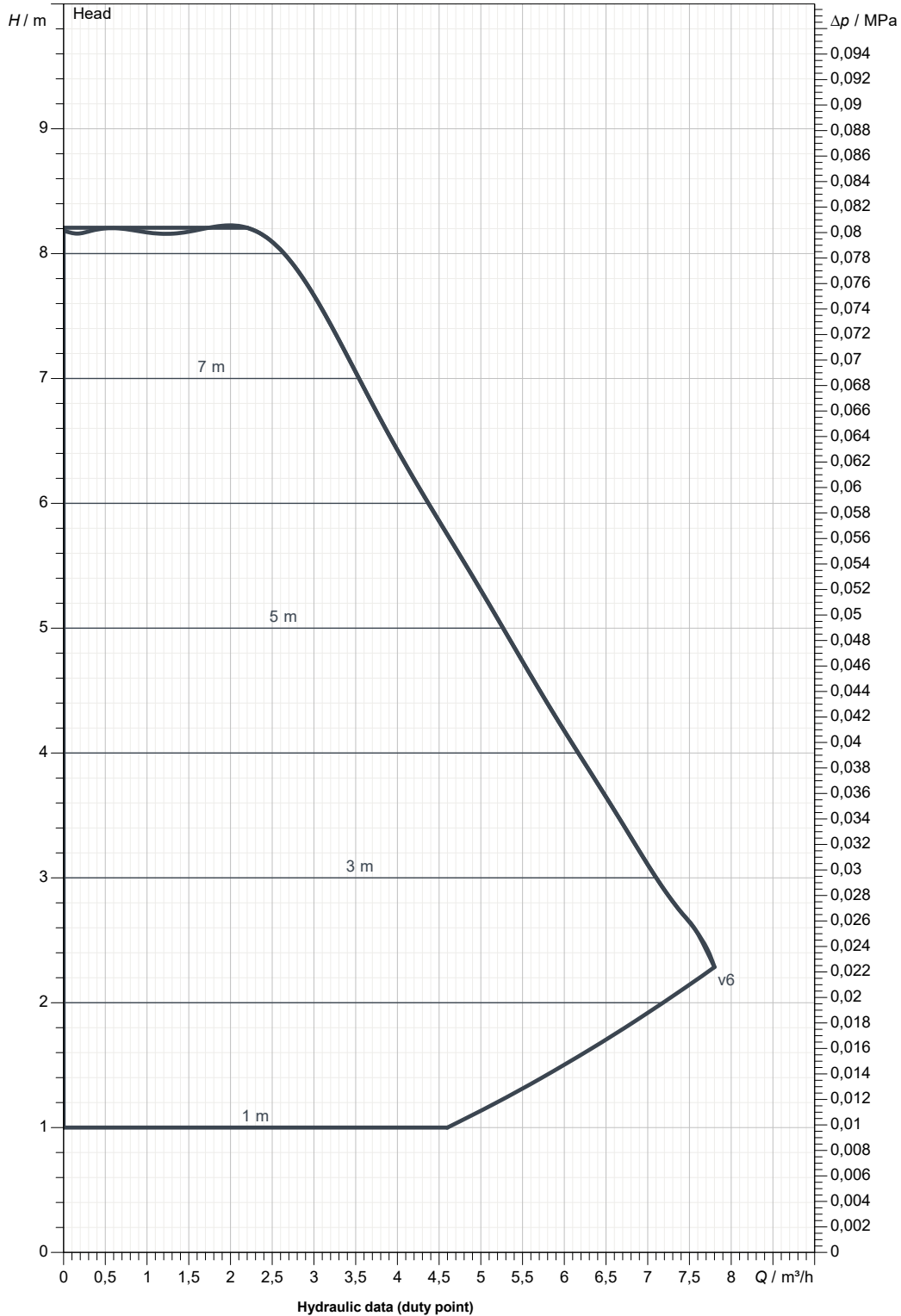
Receiver

From

Society  
Reference  
Address  
Phone  
Fax  
E-mail

## EVOPLUS 80/180 M

Curve tolerance according to ISO 9906



Suction side :  
1"1/2 G  
1,6 MPa

Discharge side :  
1"1/2 G  
1,6 MPa

Flow :

Head :

Rated speed :  
2.900 1/min

MAIN\_PROJECT\_TITLE

BUSINESS\_PROCESS\_ID

OWNER\_

ISSUE\_DATE  
2023-02-03



# DIMENSIONAL DRAWING

DAB PUMPS S.p.A.  
Via Marco Polo, 14 - 35035 Mestrino (PD), Italy  
Tel. +39 049 5125000 - Fax +39 049 5125950  
www.dabpumps.com

2023-02-03

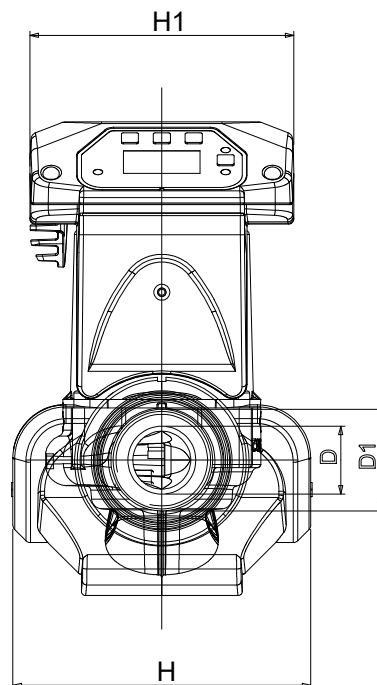
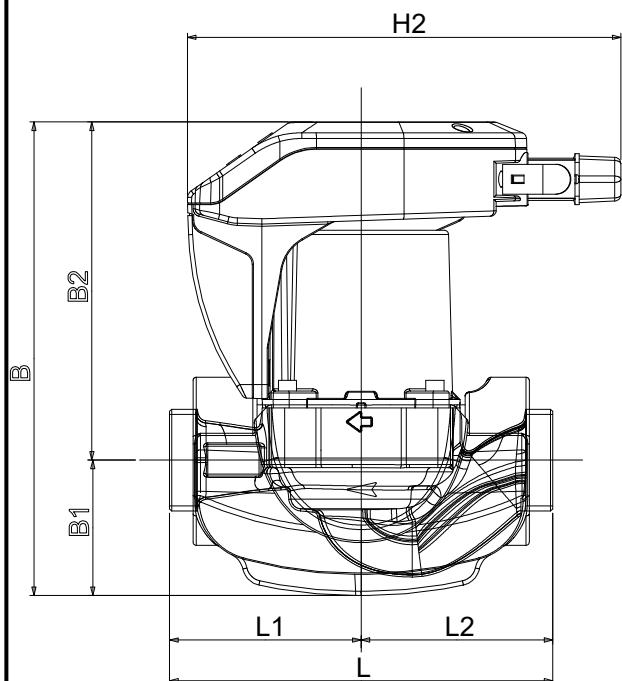
Page 3 / 3

Receiver

From

Society  
Reference  
Address  
Phone  
Fax  
E-mail

## EVOPLUS 80/180 M



### Dimensions in mm

### Pump connection

1	B	224					
2	B1	65					Suction
3	B2	159					1"1/2 G
4	D	32					1,6 MPa
5	D1	1"1/2 G					
6	H	124					Discharge
7	H1	124					1"1/2 G
8	H2	204					1,6 MPa
9	L	180					
10	L1	90					
11	L2	90					

MAIN\_PROJECT\_TITLE

BUSINESS\_PROCESS\_ID

OWNER

ISSUE\_DATE

2023-02-03