

### Receiver

### From

Society  
Reference  
Address  
Phone  
Fax  
E-mail

**Item n° :**  
60150941  
**Customer pos. no.:**  
**Model :**  
EVOPLUS 110/180 M

#### Pump data

Pressure rating : 1,6 MPa  
Min. fluid temperature : -10 °C  
Max. fluid temperature : 110 °C  
EEI : ≤ 0,20

#### Minimum suction head :

Temperature °C 90 100  
Minimum suction head : m 20 25

#### Requested data

Flow :  
Head :  
Fluid (%) :  
Fluid Temperature : 20 °C  
Density : 998,3 kg/m³  
Kinematic viscosity : 1,005 mm²/s  
Vapor pressure : 0,00 MPa

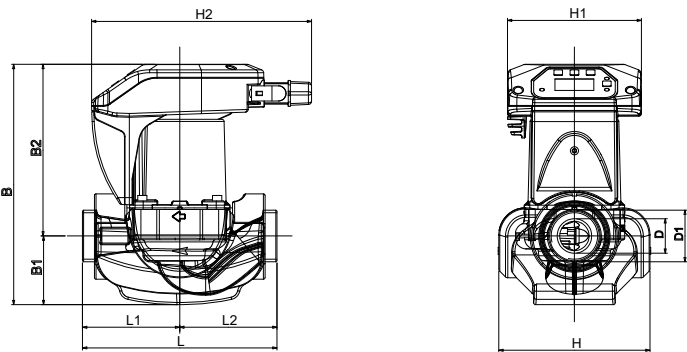
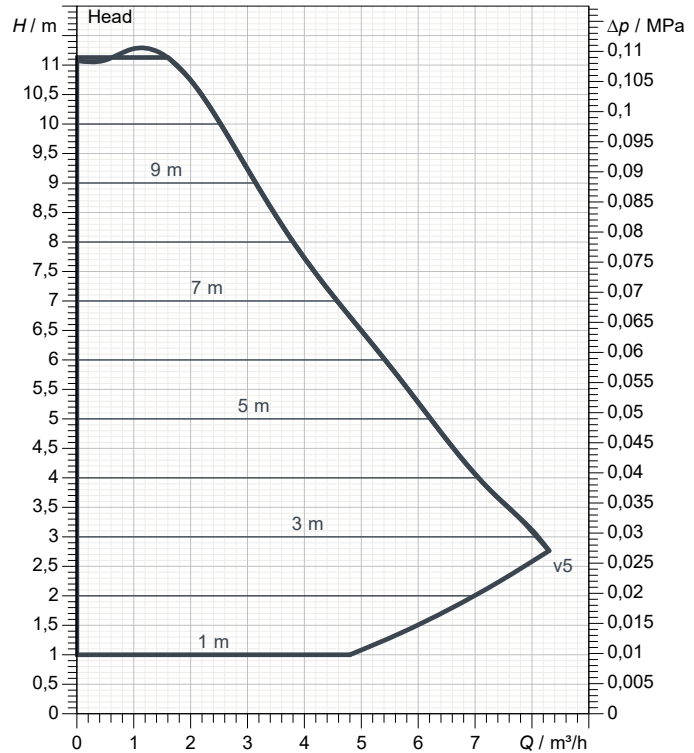
#### Hydraulic data (duty point)

Flow :  
Head :

#### Materials

Pump body Cast iron 250 UNI ISO 185 - CTF  
Impeller Technopolymer  
Motor shaft Alumina  
Seal ring EPDM  
Motor casing Die cast aluminium  
Closing flange Stainless steel  
Thrust ring support EPDM

#### Curve tolerance according to ISO 9906



#### Motor data

Motor brand : DAB  
Power input P1 : 0,17 kW  
Rated voltage : 1~ 220-240 V 50 Hz  
Nominal current : 1,18 A  
Degree of protection : IP 44

#### Dimensions in mm

B	224	H1	124				
B1	65	H2	204				
B2	159	L	180				
D	32	L1	90				
D1	1"1/2 G	L2	90				
H	124						

Weight : 4,5 kg

#### Pump connection

Suction side : 1"1/2 G  
Discharge side : 1"1/2 G



# PERFORMANCE CURVES

2023-02-03

Page 2 / 3

DAB PUMPS S.p.A.  
Via Marco Polo, 14 - 35035 Mestrino (PD), Italy  
Tel. +39 049 5125000 - Fax +39 049 5125950  
www.dabpumps.com

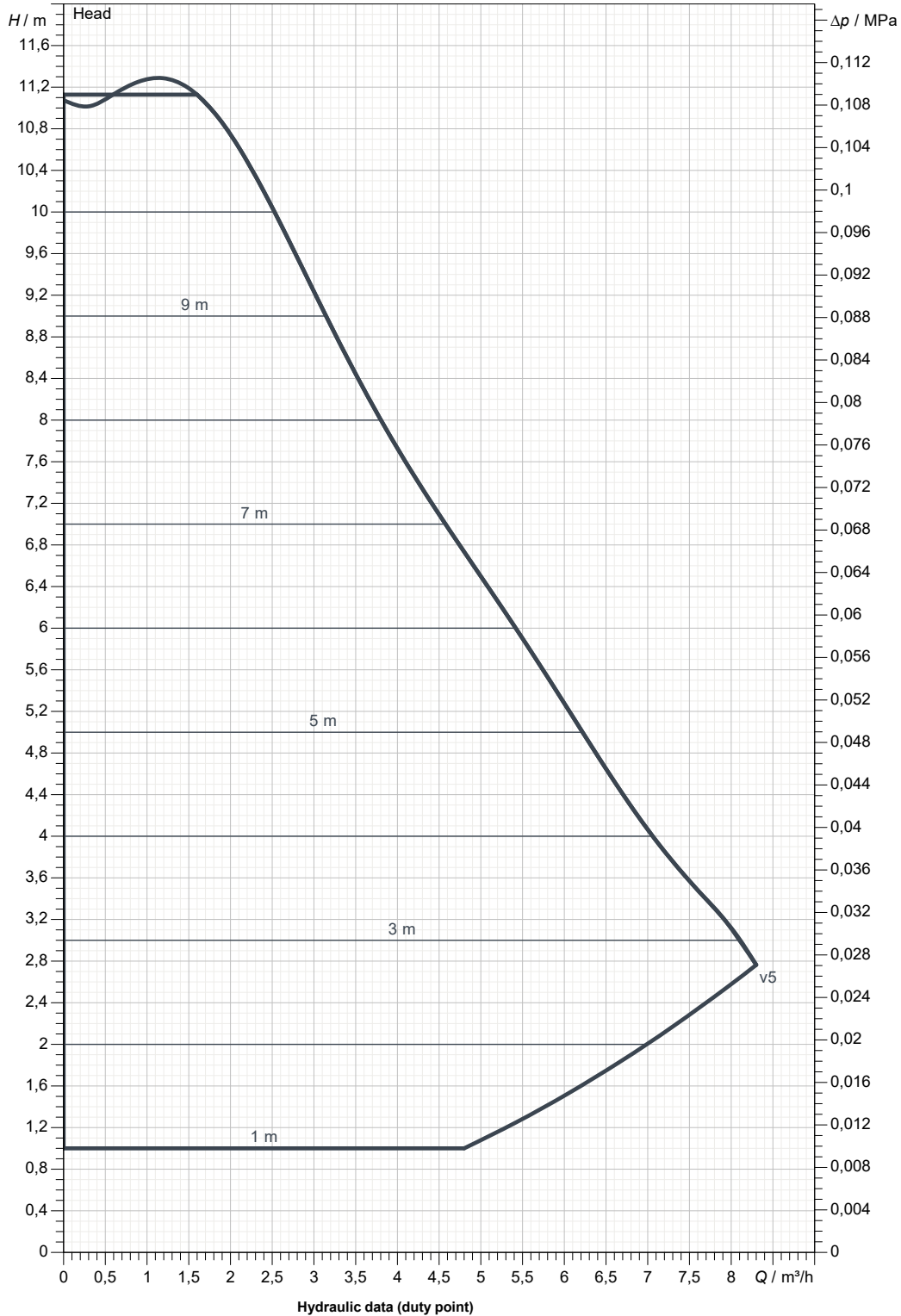
Receiver

From

Society  
Reference  
Address  
Phone  
Fax  
E-mail

## EVOPLUS 110/180 M

Curve tolerance according to ISO 9906



Suction side :  
1"1/2 G  
1,6 MPa

Discharge side :  
1"1/2 G  
1,6 MPa

Flow :

Head :

Rated speed :  
2.900 1/min

MAIN\_PROJECT\_TITLE

BUSINESS\_PROCESS\_ID

OWNER\_

ISSUE\_DATE  
2023-02-03



# DIMENSIONAL DRAWING

DAB PUMPS S.p.A.  
Via Marco Polo, 14 - 35035 Mestrino (PD), Italy  
Tel. +39 049 5125000 - Fax +39 049 5125950  
www.dabpumps.com

2023-02-03

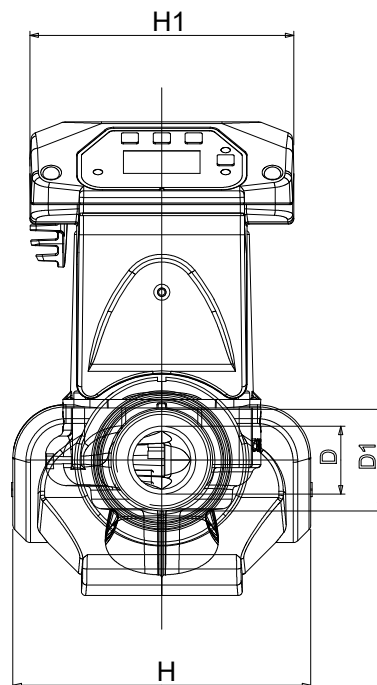
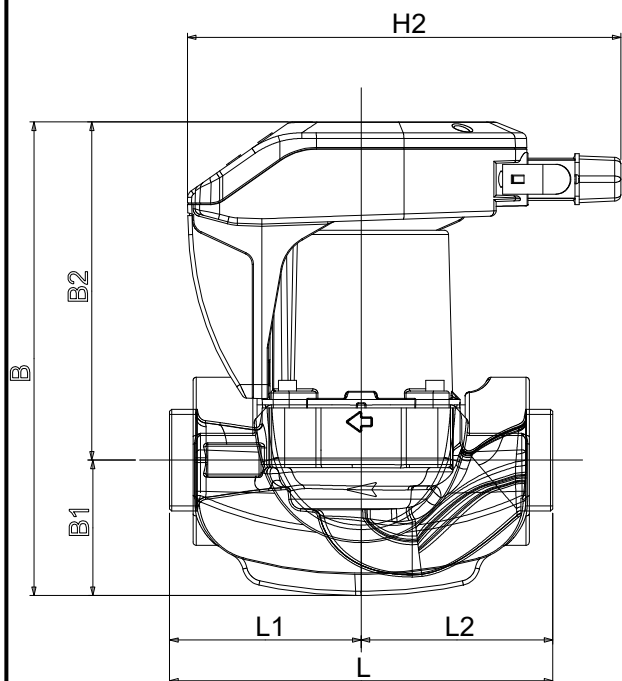
Page 3 / 3

Receiver

From

Society  
Reference  
Address  
Phone  
Fax  
E-mail

## EVOPLUS 110/180 M



Dimensions in mm				Pump connection	
1	B	224			
2	B1	65			Suction
3	B2	159			1"1/2 G
4	D	32			1,6 MPa
5	D1	1"1/2 G			
6	H	124			Discharge
7	H1	124			1"1/2 G
8	H2	204			1,6 MPa
9	L	180			
10	L1	90			
11	L2	90			

MAIN_PROJECT_TITLE	BUSINESS_PROCESS_ID	OWNER	ISSUE_DATE 2023-02-03
--------------------	---------------------	-------	--------------------------