

**Qty. Description**

1 TP 32-50/2 A-O-A-BQQE-AW1


**Note! Product picture may differ from actual product**

 Product No.: [98346590](#)

Single-stage, close-coupled, volute pump with in-line suction and discharge ports of identical diameter. The pump is of the top-pull-out design, i.e. the power head (motor, pump head and impeller) can be removed for maintenance or service while the pump housing remains in the pipework.

The pump is fitted with an unbalanced rubber bellows seal. The shaft seal is according to EN 12756. The pump is fitted with a fan-cooled asynchronous motor.

**Controls:**

Frequency converter: None

**Liquid:**

 Pumped liquid: Water  
 Liquid temperature range: -25 .. 120 °C  
 Selected liquid temperature: 20 °C  
 Density: 998.2 kg/m<sup>3</sup>
**Technical:**

 Pump speed on which pump data are based: 2800 rpm  
 Rated flow: 4.91 m<sup>3</sup>/h  
 Rated head: 3.29 m  
 Actual impeller diameter: 68 mm  
 Code for shaft seal: BQQE  
 Curve tolerance: ISO9906:2012 3B2

**Materials:**

 Pump housing: Cast iron  
 EN-GJL-150  
 ASTM class 25  
 Impeller: Composite  
 PES+30% GF

**Installation:**

 Range of ambient temperature: -30 .. 40 °C  
 Maximum operating pressure: 10 bar  
 Max pressure at stated temp: 10 bar / 120 °C  
 Type of connection: G  
 Size of connection: DN 32  
 Pressure rating for connection: PN 10  
 Port-to-port length: 180 mm  
 Flange size for motor: FT75

**Electrical data:**

 Motor type: 71A  
 Rated power - P2: 0.12 kW  
 Mains frequency: 50 Hz



Company name:

Created by:

Phone:

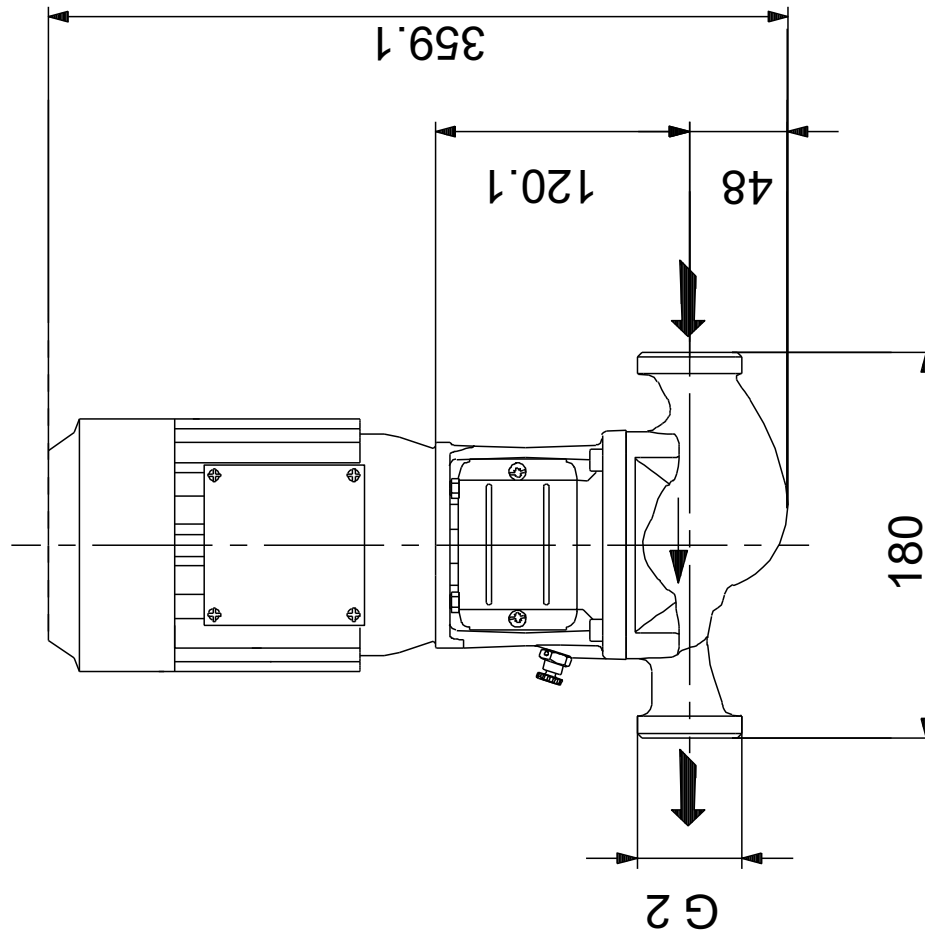
Date:

28/12/2023

**Qty. Description**

1	Rated voltage:	1 x 220-230 V
	Rated current:	0.93-0.93 A
	Starting current:	690-720 %
	Cos phi - power factor:	0.95-0.92
	Rated speed:	2910-2920 rpm
	IE Efficiency class:	IE2
	Motor efficiency at full load:	60.0-60.0 %
	Motor efficiency at 3/4 load:	61.0-58.8 %
	Motor efficiency at 1/2 load:	49.9-48.2 %
	Number of poles:	2
	Enclosure class (IEC 34-5):	55 Dust/Jetting
	Insulation class (IEC 85):	F
	Motor No:	92613975
	Others:	
	Net weight:	9.6 kg
	Gross weight:	11.6 kg
	Shipping volume:	0.041 m <sup>3</sup>
	Danish VVS No.:	381801050
	Country of origin:	HU
	Custom tariff no.:	84137051

**98346590 TP 32-50/2 A-O-A-BQQE-AW1 50 Hz**



Note! All units are in [mm] unless others are stated.  
Disclaimer: This simplified dimensional drawing does not show all details.