

**Qty. Description**

1 TP 80-120/2 AI-F-Z-BQQE-HW1



Note! Product picture may differ from actual product

Product No.: [98958078](#)

Single-stage, close-coupled, volute pump with in-line suction and discharge ports of identical diameter. The pump is of the top-pull-out design, i.e. the power head (motor, pump head and impeller) can be removed for maintenance or service while the pump housing remains in the pipework.

The pump is fitted with an unbalanced rubber bellows seal. The shaft seal is according to EN 12756. Pipework connection is via PN 6 DIN flanges (EN 1092-2 and ISO 7005-2).

The pump is fitted with a fan-cooled asynchronous motor.

**Controls:**

Frequency converter: None

**Liquid:**

Pumped liquid: Water  
 Liquid temperature range: -25 .. 120 °C  
 Selected liquid temperature: 20 °C  
 Density: 998.2 kg/m<sup>3</sup>

**Technical:**

Pump speed on which pump data are based: 2910 rpm  
 Rated flow: 42.5 m<sup>3</sup>/h  
 Rated head: 7.91 m  
 Actual impeller diameter: 95 mm  
 Code for shaft seal: BQQE  
 Curve tolerance: ISO9906:2012 3B2

**Materials:**

Pump housing: Bronze  
 CuSn10  
 ASTM B505  
 Impeller: Stainless steel  
 EN 1.4301  
 AISI 304

**Installation:**

Range of ambient temperature: -30 .. 40 °C  
 Maximum operating pressure: 6 bar  
 Max pressure at stated temp: 6 bar / 120 °C  
 Type of connection: DIN  
 Size of connection: DN 80  
 Pressure rating for connection: PN 6  
 Port-to-port length: 360 mm  
 Flange size for motor: FT115

**Electrical data:**

Motor type: 90SE



Company name:

Created by:

Phone:

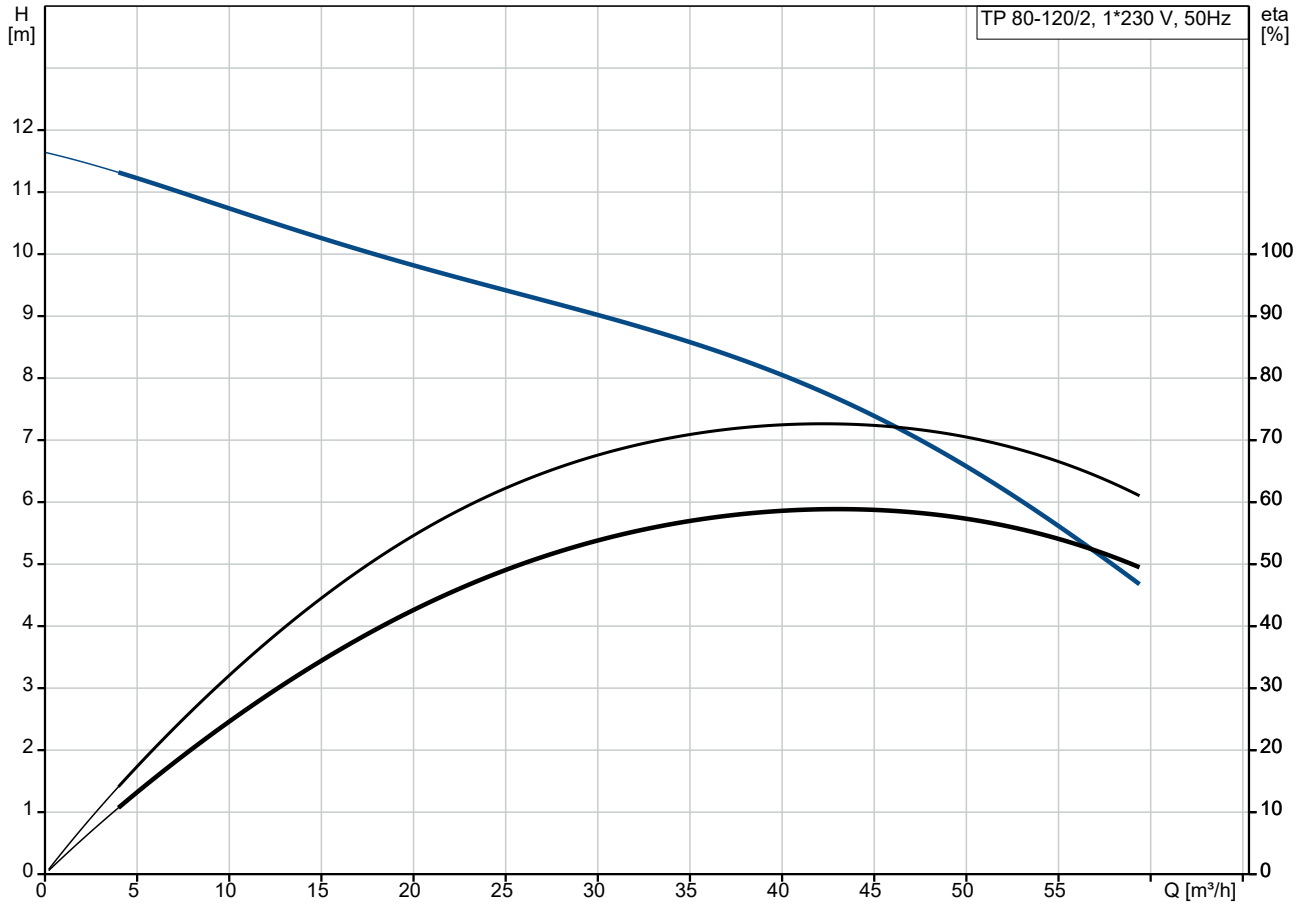
Date:

03/01/2024

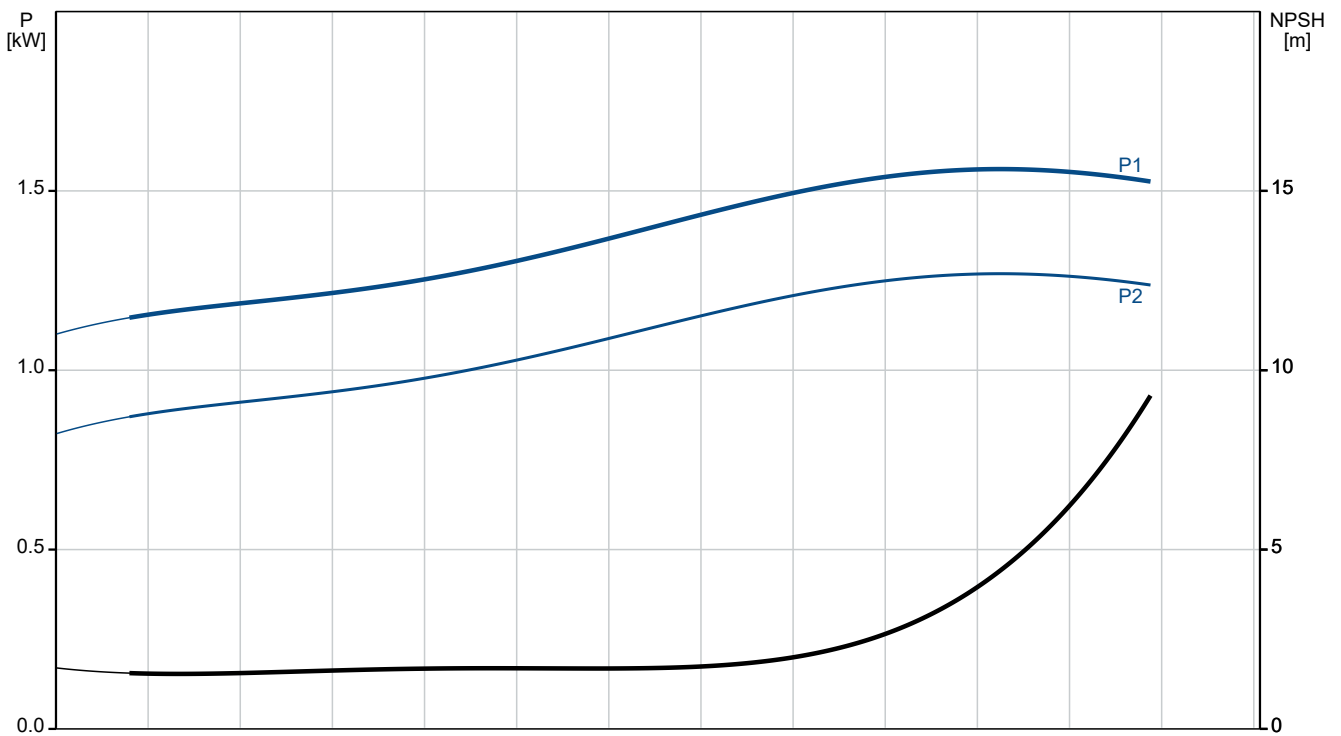
**Qty. Description**

1	Rated power - P2:	1.5 kW
	Mains frequency:	50 Hz
	Rated voltage:	1 x 220-230 V
	Rated current:	9.1-8.75 A
	Starting current:	480-540 %
	Cos phi - power factor:	0.97-0.98
	Rated speed:	2860-2880 rpm
	IE Efficiency class:	IE2
	Motor efficiency at full load:	81.3-81.3 %
	Motor efficiency at 3/4 load:	81.8-79.9 %
	Motor efficiency at 1/2 load:	75.9-72.9 %
	Number of poles:	2
	Enclosure class (IEC 34-5):	55 Dust/Jetting
	Insulation class (IEC 85):	F
	Motor No:	92722630
	Others:	
	Minimum efficiency index, MEI $\geq$ :	0.70
	Net weight:	53 kg
	Gross weight:	61.6 kg
	Shipping volume:	0.204 m <sup>3</sup>
	Country of origin:	HU
	Custom tariff no.:	84137051

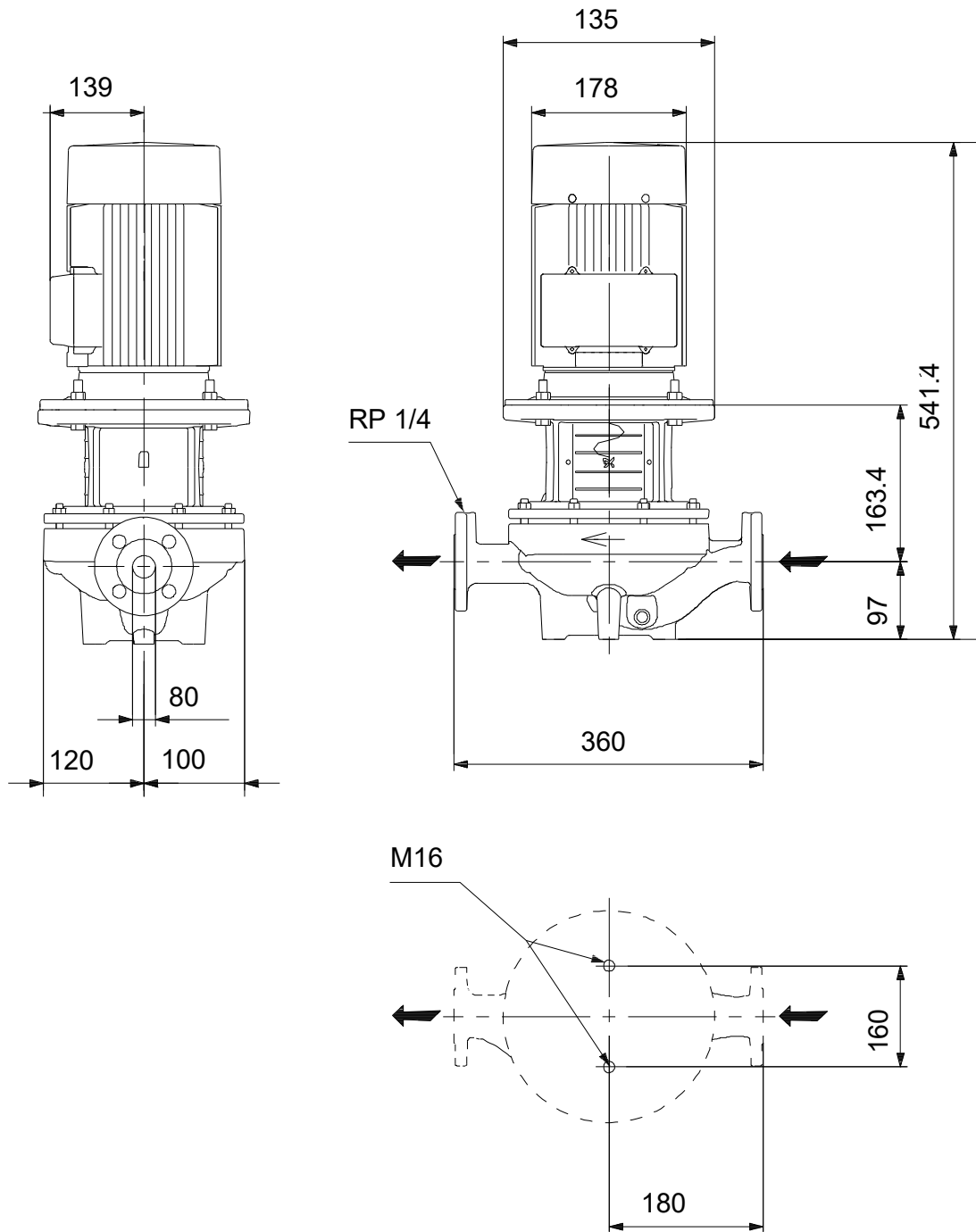
## 98958078 TP 80-120/2 AI-F-Z-BQQE-HW1 50 Hz



Pumped liquid = Water  
 Liquid temperature during operation = 20 °C  
 Density = 998.2 kg/m³



## 98958078 TP 80-120/2 AI-F-Z-BQQE-HW1 50 Hz



Note! All units are in [mm] unless others are stated.  
Disclaimer: This simplified dimensional drawing does not show all details.