

| | | |
|-----------------------|------------------|-------------|
| PROJECT: | UNIT TAG: | QUANTITY: |
| REPRESENTATIVE: _____ | TYPE OF SERVICE: | DATE: _____ |
| ENGINEER: | SUBMITTED BY: | DATE: |
| CONTRACTOR: | APPROVED BY: | DATE: |
| | ORDER NO.: | DATE: |

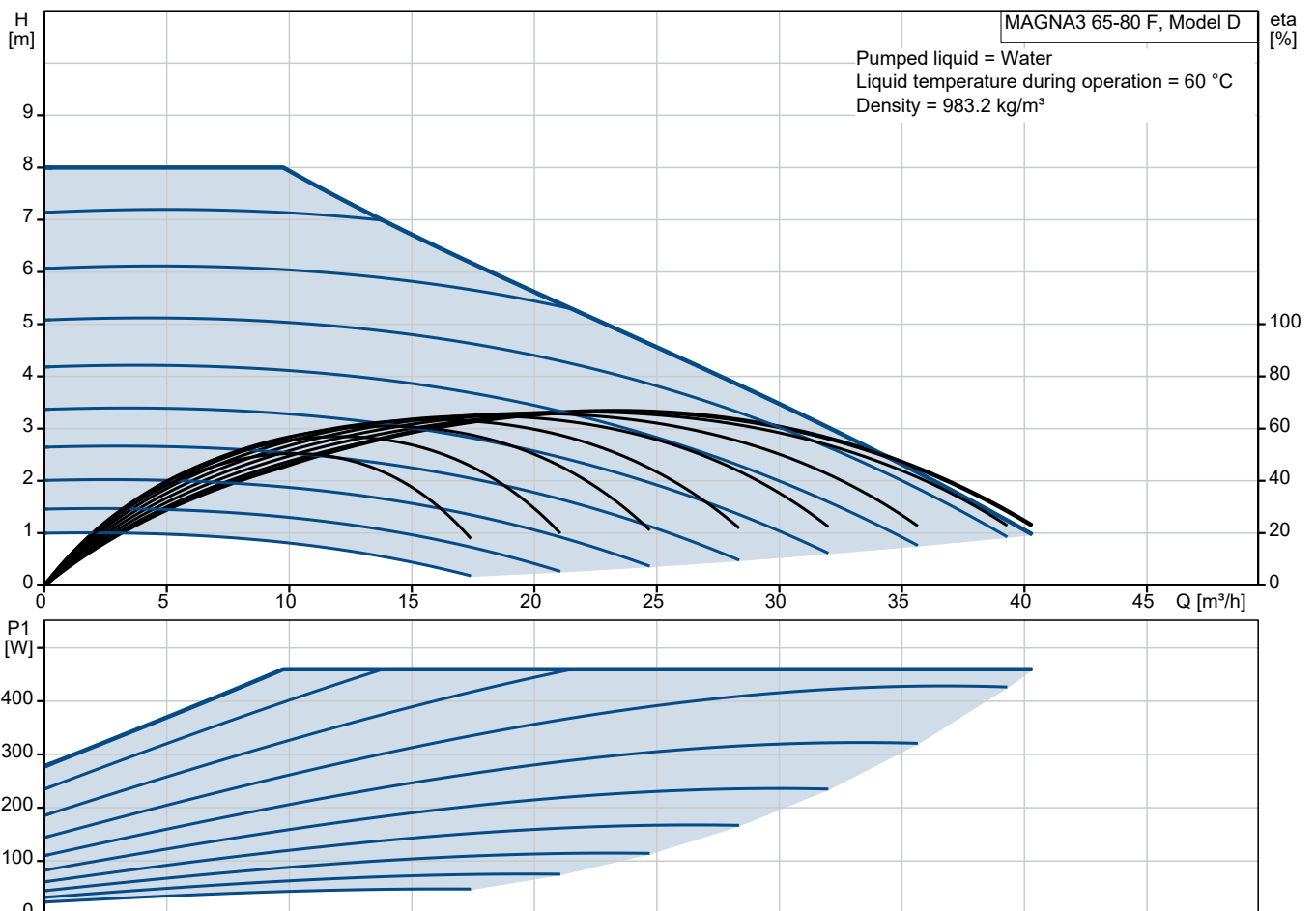


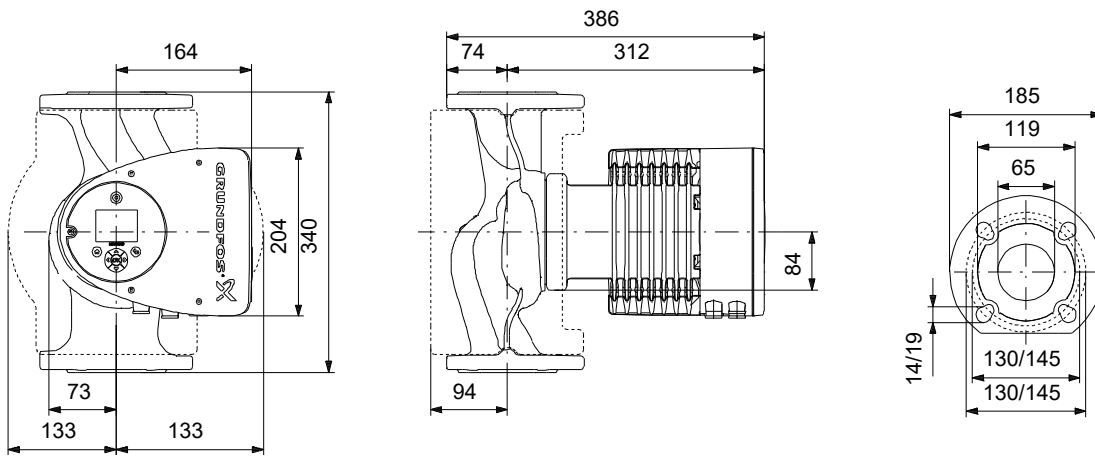
MAGNA3 65-80 F

The Grundfos MAGNA3 circulator pump is the premium choice when system control and monitoring is key. MAGNA3 supports fieldbus by optional CIM modules and has a TFT display for intuitive configuration of the intelligent features. The MAGNA3 is sure to match your application, whether for heating or cooling.

Note! Product picture may differ from actual product

| Conditions of Service | | Pump Data | Motor Data |
|-----------------------|-------|------------------------------|-----------------------------|
| Liquid: | Water | Maximum operating pressure: | 10 bar |
| Temperature: | 60 °C | Liquid temperature range: | -10 .. 110 °C |
| Specific Gravity: | 0.985 | Maximum ambient temperature: | 40 °C |
| | | Flange standard: | DIN |
| | | Pipe connection: | DN 65 |
| | | Product number: | On request |
| | | | P1 max: 22 .. 460 W |
| | | | Mains frequency: 50 / 60 Hz |
| | | | Enclosure class: X4D |
| | | | Insulation class: F |





Materials:

Pump housing: Cast iron
 Pump housing: EN-GJL-250
 Pump housing: ASTM A48-250B
 Impeller: PES 30%GF

Qty. Description

1 MAGNA3 65-80 F



Note! Product picture may differ from actual product

Product No.: On request

The Grundfos MAGNA3 circulator pump is the ideal choice for almost any building project – old or new. With its unrivalled energy efficiency, all-encompassing range and built-in communication capabilities, MAGNA3 is ideal for engineers and specifiers looking to create high-performance heating and cooling systems.

The pump is maintenance-free due to the canned-rotor type design. This also means that pump and motor form an integral unit without shaft seal and with only two gaskets for sealing. The bearings are lubricated by the pumped liquid.

MAGNA3 features an intuitive display and allows you to connect wirelessly with the Grundfos GO Remote app, giving you access to advanced reporting and monitoring.

MAGNA3 model E has Bluetooth, which allows you to connect directly to Grundfos Go app on your smart phone without any need for a dongle.

The pump includes fieldbus communication via CIM modules as well as analog and digital inputs and configurable relays.

Control features include AUTOADAPT and FLOWADAPT. FLOWADAPT which reduces the need for throttling valves, thus cutting costs on system components.

MAGNA3 is the superior choice for a wide range of heating and cooling applications, including:

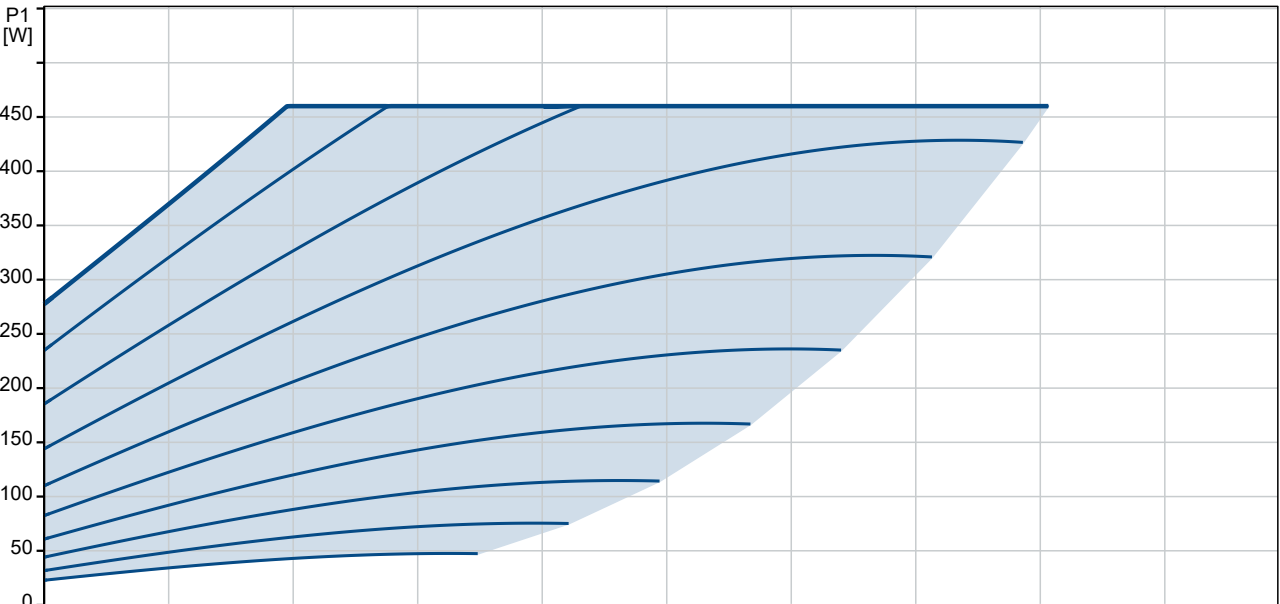
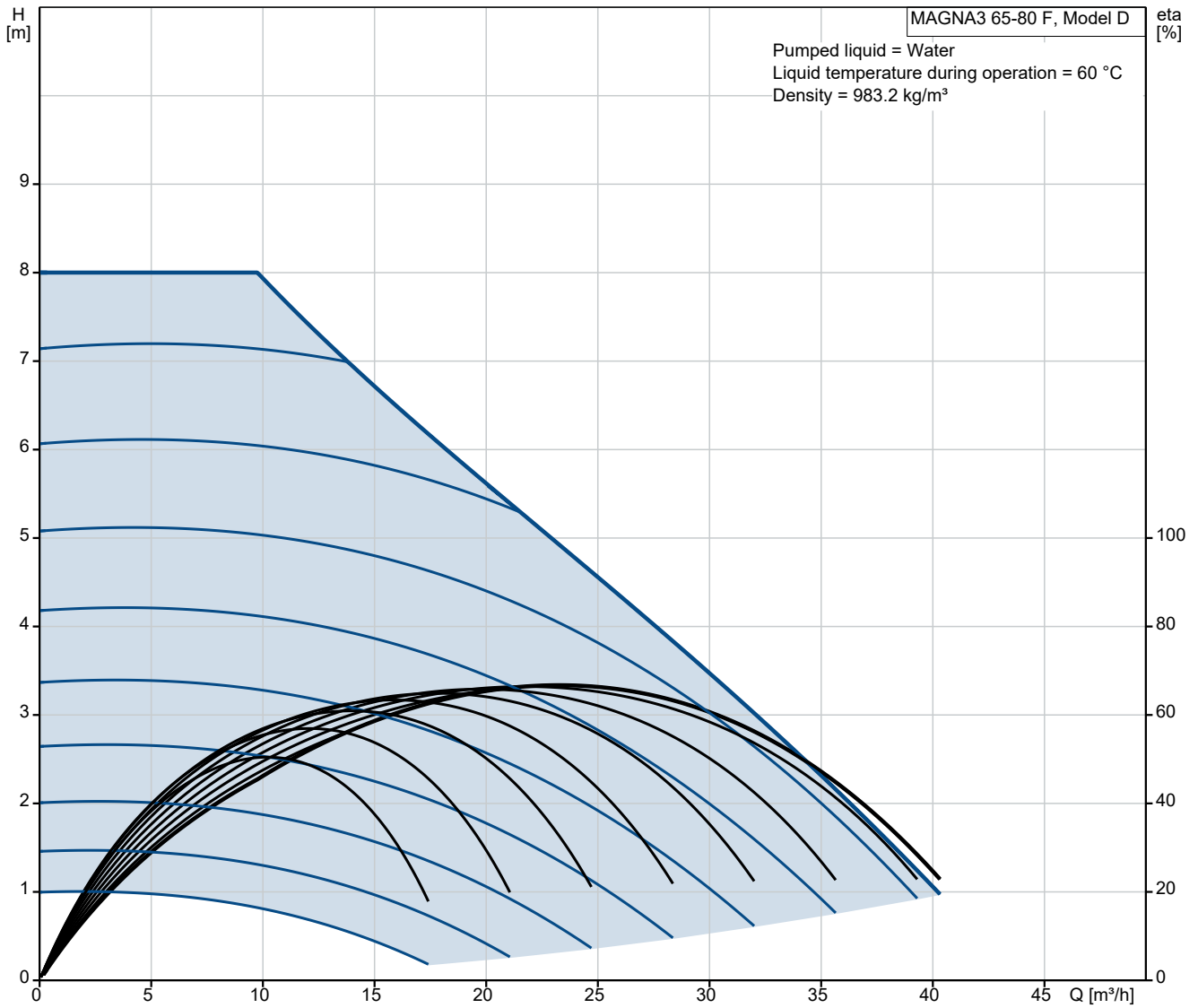
- Mixing loops
- Heating surfaces
- Air conditioning surfaces
- Ground-source heat pump systems
- Smaller chiller applications.

MAGNA3 is a single-phase pump and characterised by having the controller and control display integrated in the control box. The pump also has a built-in differential-pressure and temperature sensor.

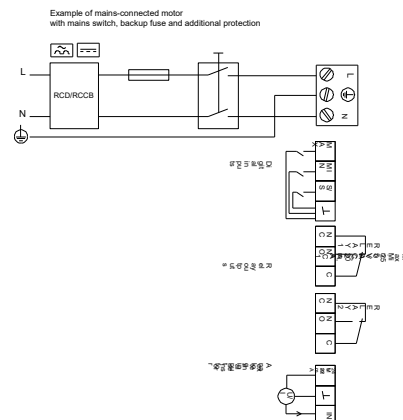
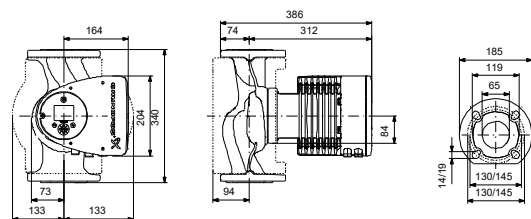
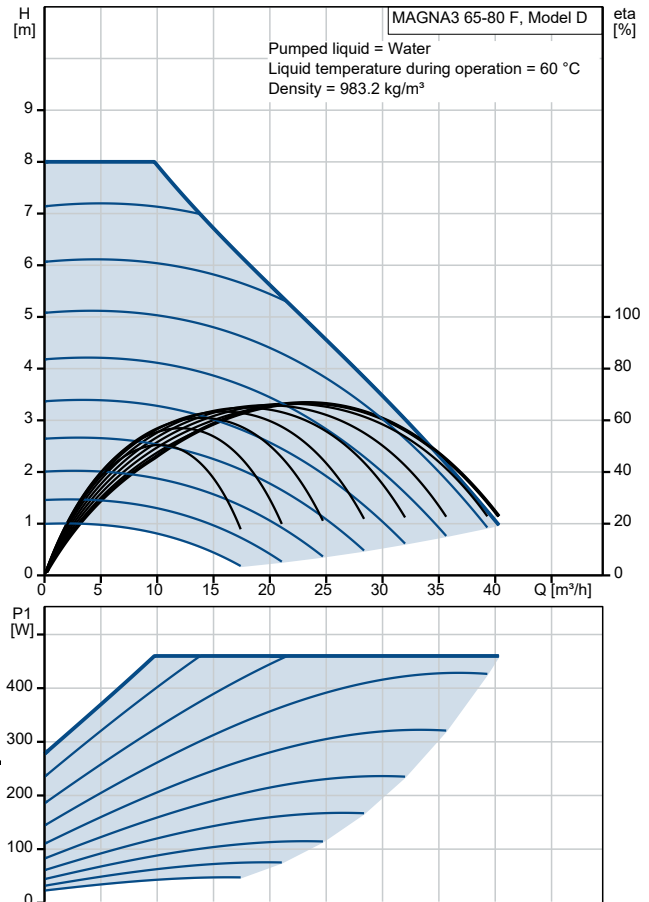
The pump housing is available in both cast-iron and stainless-steel versions. The composite rotor can is carbon-fibre reinforced, the bearing plate and rotor cladding are made of stainless steel and the stator housing is made of aluminium. The power electronics are air-cooled.

MAGNA3 incorporates a 4-pole synchronous, permanent-magnet motor (PM motor). This motor type is characterised by higher efficiency than a conventional asynchronous squirrel-cage motor. The pump speed is controlled by an integrated frequency converter.

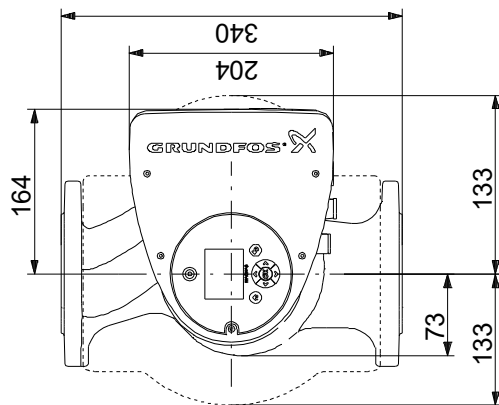
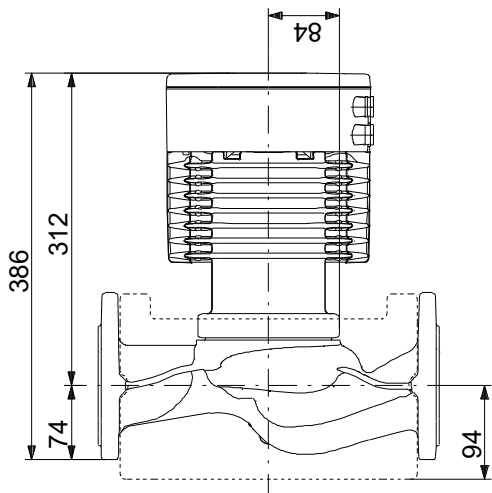
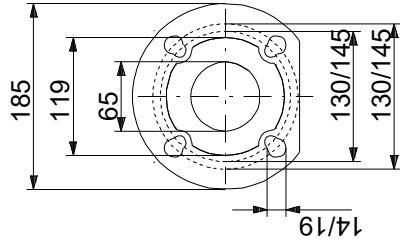
On request MAGNA3 65-80 F



| Description | Value |
|-------------------------------|---|
| General information: | |
| Product name: | MAGNA3 65-80 F |
| Product No: | On request |
| EAN number: | On request |
| Technical: | |
| Rated flow: | 23.3 m ³ /h |
| Rated head: | 4.919 m |
| Head max: | 80 dm |
| TF class: | 110 |
| Approvals: | CE, VDE, EAC, MOROCCO, UKCA, TSERCM, UkrSEPRO |
| Model: | D |
| Materials: | |
| Pump housing: | Cast iron |
| Pump housing: | EN-GJL-250 |
| Pump housing: | ASTM A48-250B |
| Impeller: | PES 30%GF |
| Installation: | |
| Range of ambient temperature: | 0 .. 40 °C |
| Maximum operating pressure: | 10 bar |
| Flange standard: | DIN |
| Pipe connection: | DN 65 |
| Pressure rating: | PN 6/10 |
| Port-to-port length: | 340 mm |
| Liquid: | |
| Pumped liquid: | Water |
| Liquid temperature range: | -10 .. 110 °C |
| Selected liquid temperature: | 60 °C |
| Density: | 983.2 kg/m ³ |
| Electrical data: | |
| Power input - P1: | 22 .. 460 W |
| Mains frequency: | 50 / 60 Hz |
| Rated voltage [V]: | 1 x 230 V |
| Maximum current consumption: | 0.24 .. 2.11 A |
| Enclosure class (IEC 34-5): | X4D |
| Insulation class (IEC 85): | F |
| Others: | |
| Energy (EEL): | 0.18 |
| Environmental approvals: | CN ROHS, WEEE |
| Net weight: | 21.5 kg |
| Gross weight: | 23.7 kg |
| Shipping volume: | 0.057 m ³ |
| Danish VVS No.: | 380954608 |
| Swedish RSK No.: | 5732501 |
| Finnish LVI No.: | 4615160 |
| Norwegian NRF no.: | 9042688 |
| Country of origin: | DE |
| Custom tariff no.: | 84139100 |



On request MAGNA3 65-80 F



Note! All units are in [mm] unless others are stated.
Disclaimer: This simplified dimensional drawing does not show all details.

On request MAGNA3 65-80 F

Example of mains-connected motor with mains switch, backup fuse and additional protection



Note! All units are in [mm] unless others are stated.



Company name:

Created by:

Phone:

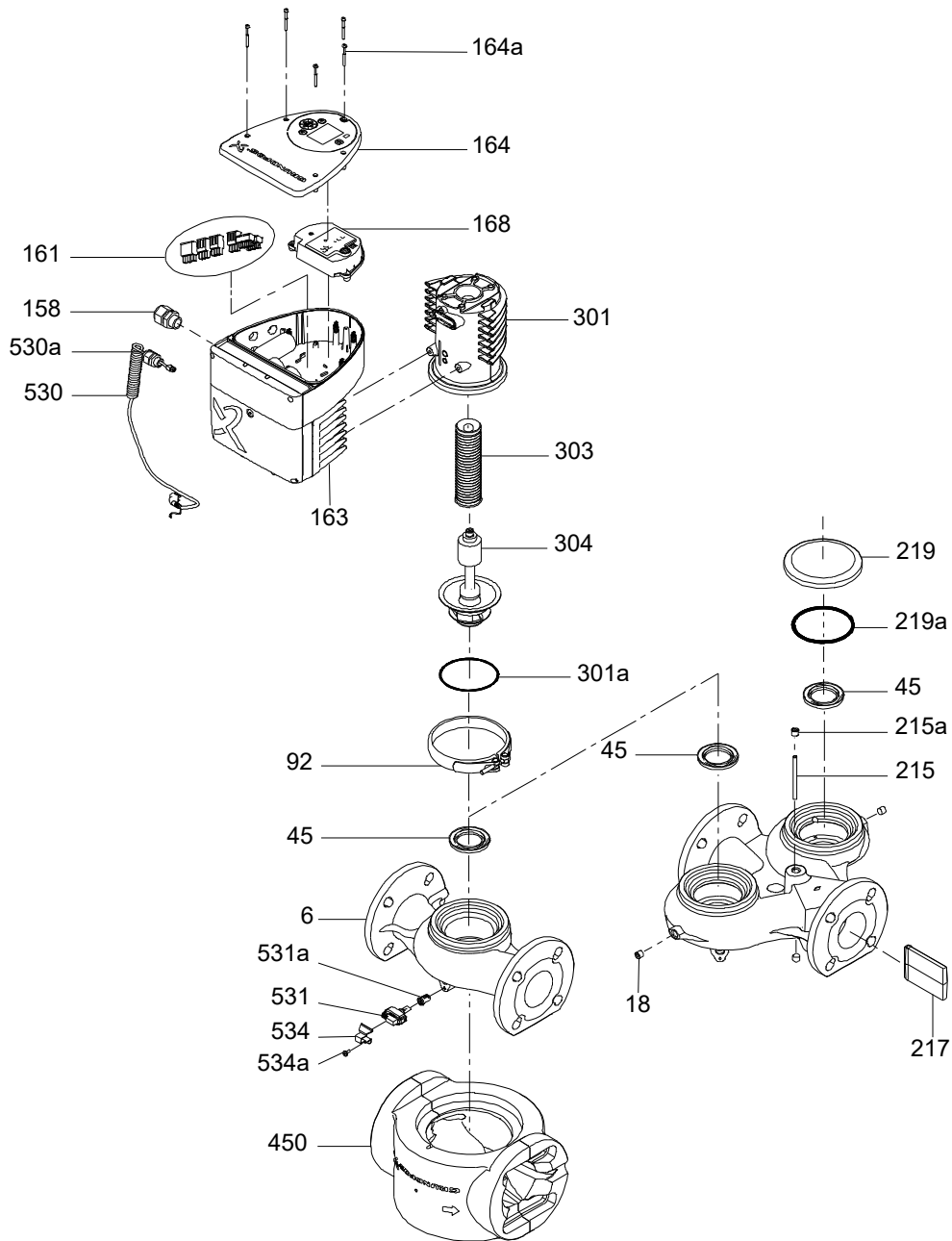
Date:

27/09/2022

Order Data:

| Position | Your pos. | Product name | Amount | Product No | Total |
|----------|-----------|----------------|--------|------------|------------------|
| | | MAGNA3 65-80 F | 1 | On request | Price on request |
| | | | | | |
| | | | | | |
| | | | | | |
| | | | | | |
| | | | | | |
| | | | | | |
| | | | | | |
| | | | | | |
| | | | | | |
| | | | | | |
| | | | | | |
| | | | | | |
| | | | | | |
| | | | | | |
| | | | | | |
| | | | | | |
| | | | | | |
| | | | | | |
| | | | | | |
| | | | | | |

(TM057299 MAGNA3 750-1600W)



**Spare parts MAGNA3 65-80 F, Product No. On request
Produced After 1732 (production year and week number)**

| Pos | Description | Annotation | Classification Data | Part no. | Qty. | Unit |
|-------|---------------------------------|------------|---------------------|----------|------|------|
| - | Kit, Connector plugs | | | 98357861 | 1 | pcs |
| - 161 | Plug cpl. | | | | 1 | |
| 159b | Connector plug 4-pole | | | | | |
| 159b | Connector plug 3-pole | | | | | |
| 159b | Connector plug 3-pole | | | | | |
| - | Kit, Cont. box cover front end | | | 99341976 | 1 | pcs |
| 164a | Screw DELTA PT | | | | 5 | |
| 164 | Cover | | | | 1 | |
| - | Kit, Control box configured | | | 99332460 | 1 | pcs |
| - | Kit, control box non-configured | | | 98859585 | 1 | |
| - | Control box cpl. | | | | | |
| - | Control box | | | | | |
| - | Box | | | | | |
| 530 | Cable | | | | | |
| 164 | Cover | | | | | |
| - 501 | Displayboard cpl. | | | | | |
| - | Displayboard cpl. | | | | | |
| 168 | Displayboard, SMD | | | | | |
| 163 | Control box | | | | | |
| - 531 | Sensor | | | | | |
| 531a | Sealing cap | | | | | |
| | GSC | | | | 1 | |
| - | Kit, Displayboard | | | 99338995 | 1 | pcs |
| 163b | Compression spring | | | | 4 | |
| 164a | Screw DELTA PT | | | | 5 | |
| 164 | Cover | | | | 1 | |
| - 501 | Displayboard cpl. | | | | 1 | |
| - | Displayboard cpl. | | | | | |
| 168 | Displayboard, SMD | | | | | |
| - | Kit, Pump head | | | 98148751 | 1 | pcs |
| 92 | Clamp cpl. | | | | 1 | |
| - 301 | Pump head | | | | 1 | |
| - | Stator w/housing cpl. | | | | | |
| 301 | Stator housing | | | | | |
| 303 | Rotor can cpl. | | | | | |
| - 304 | Shaft w/impeller cpl. | | | | | |
| - | Bearing plate cpl. | | | | | |
| 301a | O-ring | | | | | |
| - | Kit, Sensor | | | 99313067 | 1 | pcs |
| 530 | Cable | | | | 1 | |
| - 531 | Sensor | | | | 1 | |
| 531a | Sealing cap | | | | | |
| 534a | Pan head thread forming screw | | | | 1 | |
| 534 | Bracket | | | | 1 | |
| - | Kit, Sensor | | | 99313072 | 1 | pcs |
| 530 | Cable | | | | 10 | |
| - 531 | Sensor | | | | 10 | |
| 531a | Sealing cap | | | | | |
| - | Spare, Clamp | | | 98148759 | 1 | pcs |
| 92 | Clamp cpl. | | | | 1 | |
| - | Spare, O-ring | | | 98148761 | 1 | pcs |
| 301a | O-ring | | | | 1 | |
| - | Spare, Sealing cap | | | 98613455 | 1 | pcs |



Company name:

Created by:

Phone:

Date:

27/09/2022

| Pos | Description | Annotation | Classification Data | Part no. | Qty. | Unit |
|------|-------------|------------|---------------------|----------|------|------|
| 531a | Sealing cap | | | | 1 | |
| 301a | O-ring | | | 92780122 | 1 | pcs |
| 301a | O-ring | | | 98660099 | 1 | pcs |
| 450 | Insulation | | | 98159361 | 1 | pcs |
| 531a | Sealing cap | | | 98708139 | 1 | pcs |