

Qty. Description

1 TP 80-240/2 A-F-A-BQQE-LW1


Note! Product picture may differ from actual product

Product No.: [96108720](#)

Single-stage, close-coupled, volute pump with in-line suction and discharge ports of identical diameter. The pump is of the top-pull-out design, i.e. the power head (motor, pump head and impeller) can be removed for maintenance or service while the pump housing remains in the pipework.

The pump is fitted with an unbalanced rubber bellows seal. The shaft seal is according to EN 12756. Pipework connection is via PN 16 DIN flanges (EN 1092-2 and ISO 7005-2).

The pump is fitted with a fan-cooled asynchronous motor.

Controls:

Frequency converter: None

Liquid:

Pumped liquid: Water
Liquid temperature range: -25 .. 120 °C
Selected liquid temperature: 20 °C
Density: 998.2 kg/m³
Technical:

Pump speed on which pump data are based: 2920 rpm
Rated flow: 68 m³/h
Rated head: 20.2 m
Actual impeller diameter: 135 mm
Code for shaft seal: BQQE
Curve tolerance: ISO9906:2012 3B2

Materials:

Pump housing: Cast iron
EN-GJL-250
ASTM class 35
Impeller: Cast iron
EN-GJL-200
ASTM class 30

Installation:

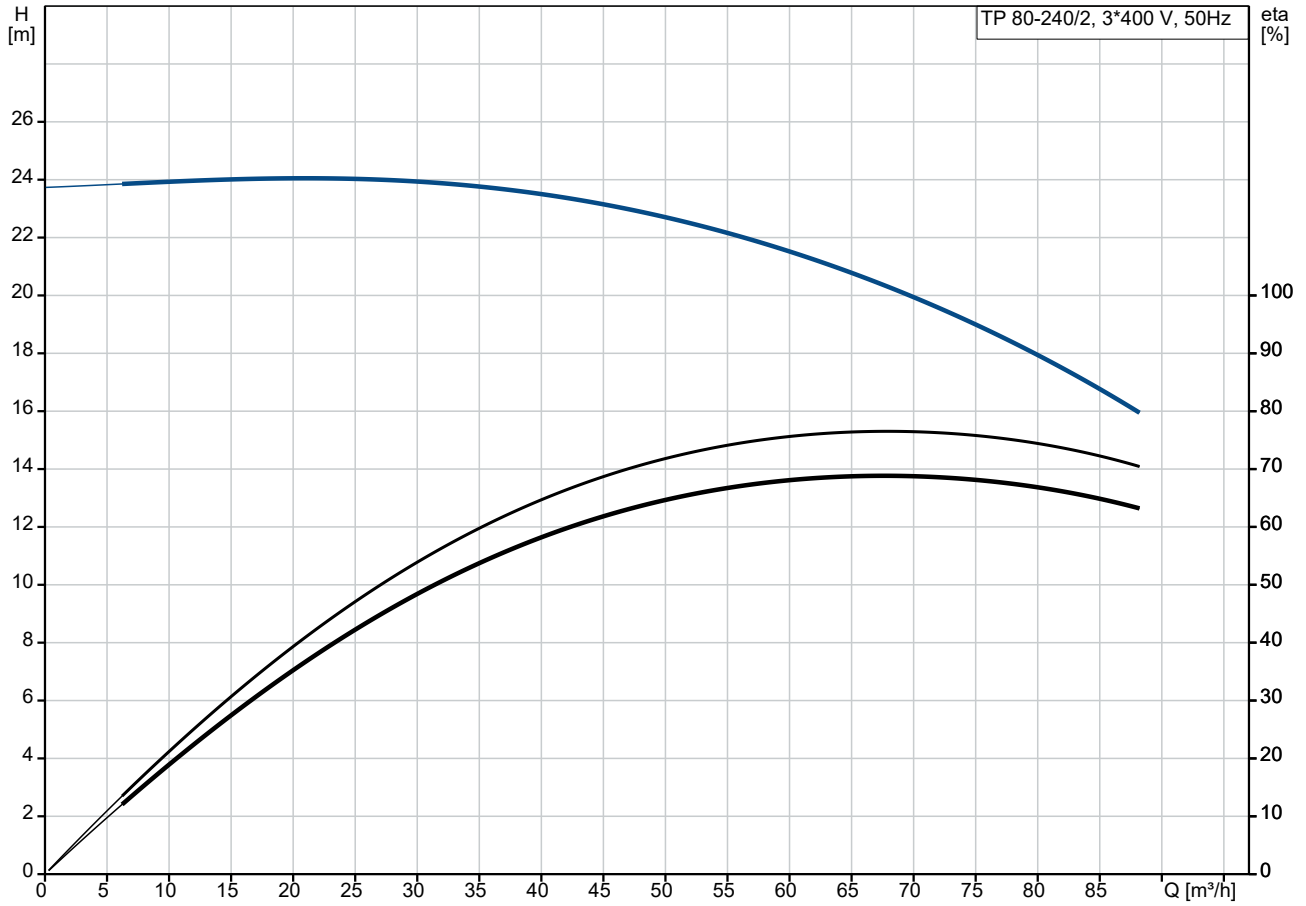
Range of ambient temperature: -30 .. 60 °C
Maximum operating pressure: 16 bar
Max pressure at stated temp: 16 bar / 120 °C
Type of connection: DIN
Size of connection: DN 80
Pressure rating for connection: PN 16
Port-to-port length: 360 mm
Flange size for motor: FF265

Electrical data:

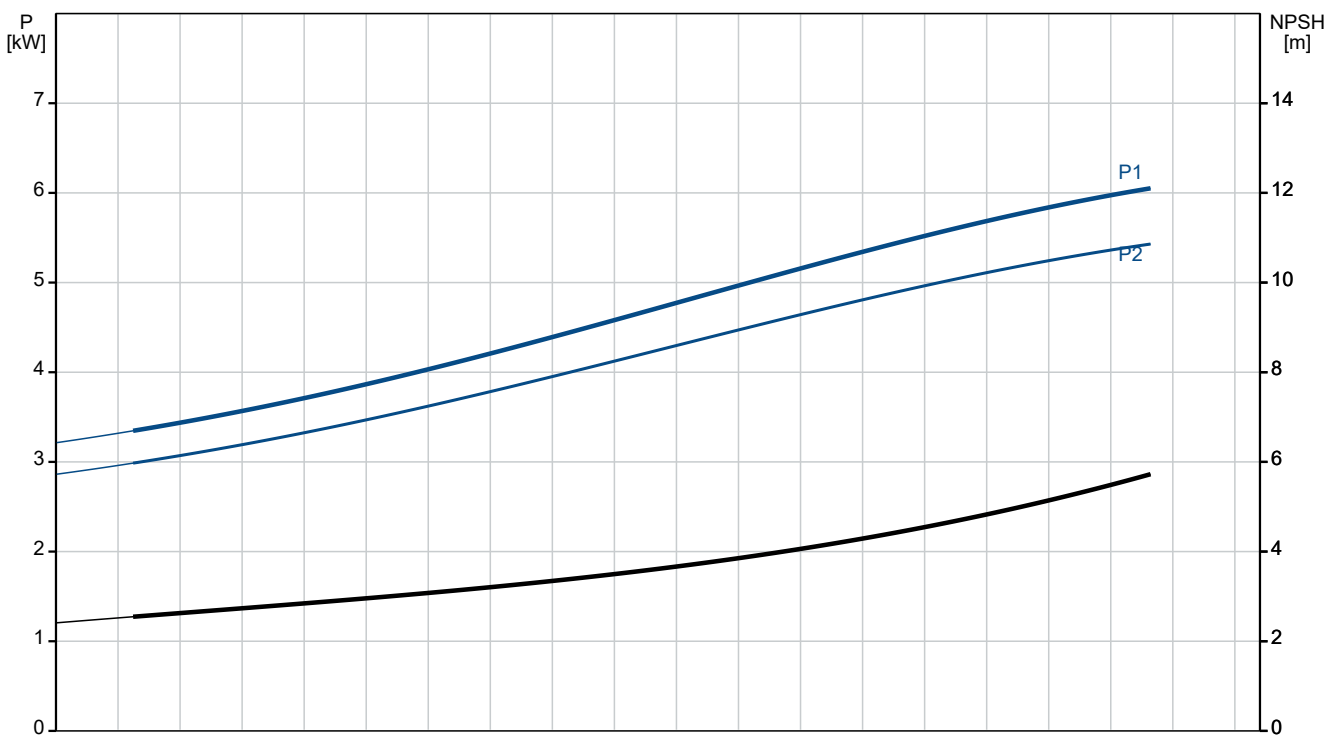
Motor type: 132SC

Qty.	Description																																																
1	<table> <tr> <td>Rated power - P2:</td> <td>5.5 kW</td> </tr> <tr> <td>Mains frequency:</td> <td>50 Hz</td> </tr> <tr> <td>Rated voltage:</td> <td>3 x 380-415D V</td> </tr> <tr> <td>Rated current:</td> <td>11 A</td> </tr> <tr> <td>Starting current:</td> <td>1080-1180 %</td> </tr> <tr> <td>Cos phi - power factor:</td> <td>0.87-0.82</td> </tr> <tr> <td>Rated speed:</td> <td>2920-2940 rpm</td> </tr> <tr> <td>IE Efficiency class:</td> <td>IE3</td> </tr> <tr> <td>Motor efficiency at full load:</td> <td>89.2-89.2 %</td> </tr> <tr> <td>Motor efficiency at 3/4 load:</td> <td>90.0-89.8 %</td> </tr> <tr> <td>Motor efficiency at 1/2 load:</td> <td>89.6-88.4 %</td> </tr> <tr> <td>Number of poles:</td> <td>2</td> </tr> <tr> <td>Enclosure class (IEC 34-5):</td> <td>55 Dust/Jetting</td> </tr> <tr> <td>Insulation class (IEC 85):</td> <td>F</td> </tr> <tr> <td>Motor No:</td> <td>87322229</td> </tr> <tr> <td colspan="2"> Others:</td> </tr> <tr> <td>Minimum efficiency index, MEI ≥:</td> <td>0.69</td> </tr> <tr> <td>Net weight:</td> <td>90.4 kg</td> </tr> <tr> <td>Gross weight:</td> <td>117 kg</td> </tr> <tr> <td>Shipping volume:</td> <td>0.395 m³</td> </tr> <tr> <td>Danish VVS No.:</td> <td>391705240</td> </tr> <tr> <td>Finnish LVI No.:</td> <td>4616101</td> </tr> <tr> <td>Country of origin:</td> <td>HU</td> </tr> <tr> <td>Custom tariff no.:</td> <td>84137051</td> </tr> </table>	Rated power - P2:	5.5 kW	Mains frequency:	50 Hz	Rated voltage:	3 x 380-415D V	Rated current:	11 A	Starting current:	1080-1180 %	Cos phi - power factor:	0.87-0.82	Rated speed:	2920-2940 rpm	IE Efficiency class:	IE3	Motor efficiency at full load:	89.2-89.2 %	Motor efficiency at 3/4 load:	90.0-89.8 %	Motor efficiency at 1/2 load:	89.6-88.4 %	Number of poles:	2	Enclosure class (IEC 34-5):	55 Dust/Jetting	Insulation class (IEC 85):	F	Motor No:	87322229	 Others:		Minimum efficiency index, MEI ≥:	0.69	Net weight:	90.4 kg	Gross weight:	117 kg	Shipping volume:	0.395 m ³	Danish VVS No.:	391705240	Finnish LVI No.:	4616101	Country of origin:	HU	Custom tariff no.:	84137051
Rated power - P2:	5.5 kW																																																
Mains frequency:	50 Hz																																																
Rated voltage:	3 x 380-415D V																																																
Rated current:	11 A																																																
Starting current:	1080-1180 %																																																
Cos phi - power factor:	0.87-0.82																																																
Rated speed:	2920-2940 rpm																																																
IE Efficiency class:	IE3																																																
Motor efficiency at full load:	89.2-89.2 %																																																
Motor efficiency at 3/4 load:	90.0-89.8 %																																																
Motor efficiency at 1/2 load:	89.6-88.4 %																																																
Number of poles:	2																																																
Enclosure class (IEC 34-5):	55 Dust/Jetting																																																
Insulation class (IEC 85):	F																																																
Motor No:	87322229																																																
 Others:																																																	
Minimum efficiency index, MEI ≥:	0.69																																																
Net weight:	90.4 kg																																																
Gross weight:	117 kg																																																
Shipping volume:	0.395 m ³																																																
Danish VVS No.:	391705240																																																
Finnish LVI No.:	4616101																																																
Country of origin:	HU																																																
Custom tariff no.:	84137051																																																

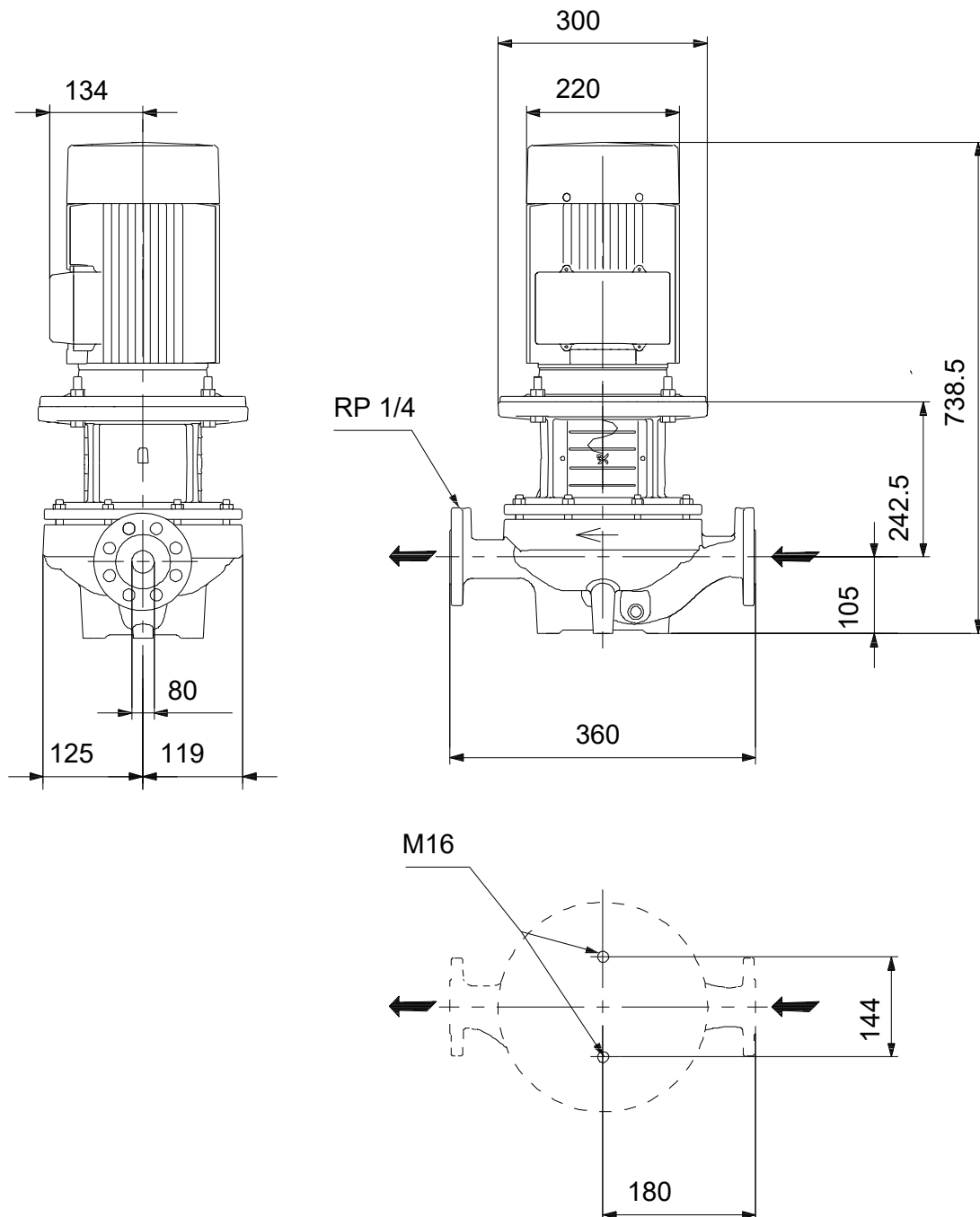
96108720 TP 80-240/2 A-F-A-BQQE-LW1 50 Hz



Pumped liquid = Water
 Liquid temperature during operation = 20 °C
 Density = 998.2 kg/m³



96108720 TP 80-240/2 A-F-A-BQQE-LW1 50 Hz



Note! All units are in [mm] unless others are stated.
Disclaimer: This simplified dimensional drawing does not show all details.