

### Receiver

### From

Society  
Reference  
Address  
Phone  
Fax  
E-mail

**Item n° :** 60150963  
**Customer pos. no.:**  
**Model :** EVOPLUS B 40/220.40 M

**Pump data**  
Pressure rating : 1,6 MPa  
Min. fluid temperature : -10 °C  
Max. fluid temperature : 110 °C  
EEI : ≤ 0,20

**Minimum suction head :**  
Temperature °C 90 100  
Minimum suction head : m 20 25

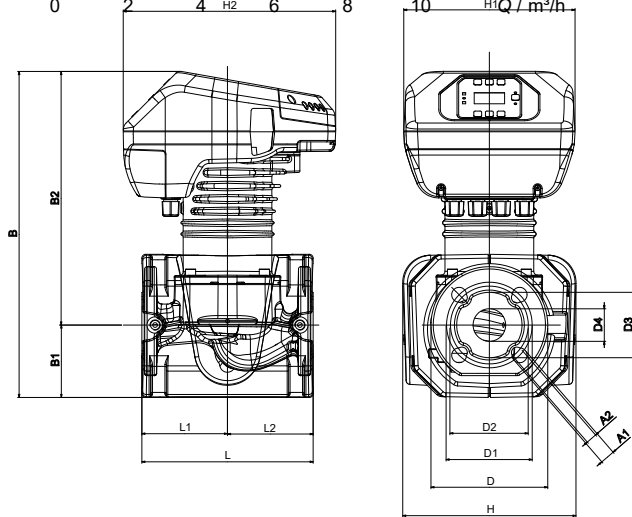
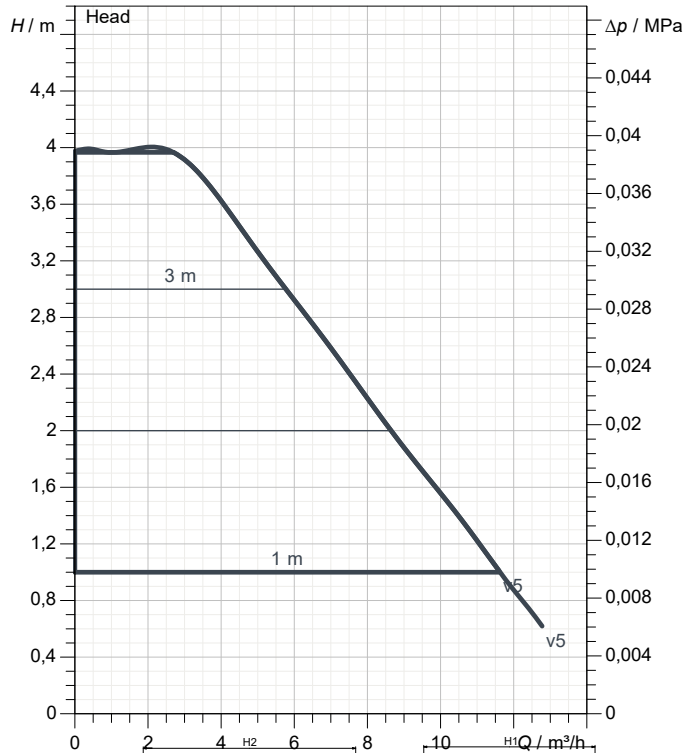
**Requested data**  
Flow :  
Head :  
Fluid (%) :  
Fluid Temperature : 20 °C  
Density : 998,3 kg/m³  
Kinematic viscosity : 1,005 mm²/s  
Vapor pressure : 0,00 MPa

**Hydraulic data (duty point)**  
Flow :  
Head :

**Materials**  
Pump body : Cast iron 250 UNI ISO 185 - CTF  
Impeller : Technopolymer  
Motor shaft : Stainless steel  
Seal ring : EPDM  
Motor casing : Die cast aluminium  
Closing flange : Stainless steel  
Thrust ring support : Stainless steel

**Motor data**  
Motor brand : DAB  
Power input P1 : 0,09 kW  
Rated voltage : 1~ 220-240 V 50 Hz  
Nominal current : 0,7 A  
Degree of protection : IP 44

Curve tolerance according to ISO 9906



Dimensions in mm	
A1	19
A2	14
B	419
B1	93
B2	326
D	150
D1	110
D2	100
D3	84
D4	42
H	222
H1	220
H2	273
L	220
L1	110
L2	110
<b>Weight :</b> 20,8 kg	
<b>Pump connection</b>	
Suction side :	DN 40 / PN6, PN10, PN16
Discharge side :	DN 40 / PN6, PN10, PN16



# PERFORMANCE CURVES

2023-02-06

Page 2 / 3

DAB PUMPS S.p.A.  
Via Marco Polo, 14 - 35035 Mestrino (PD), Italy  
Tel. +39 049 5125000 - Fax +39 049 5125950  
www.dabpumps.com

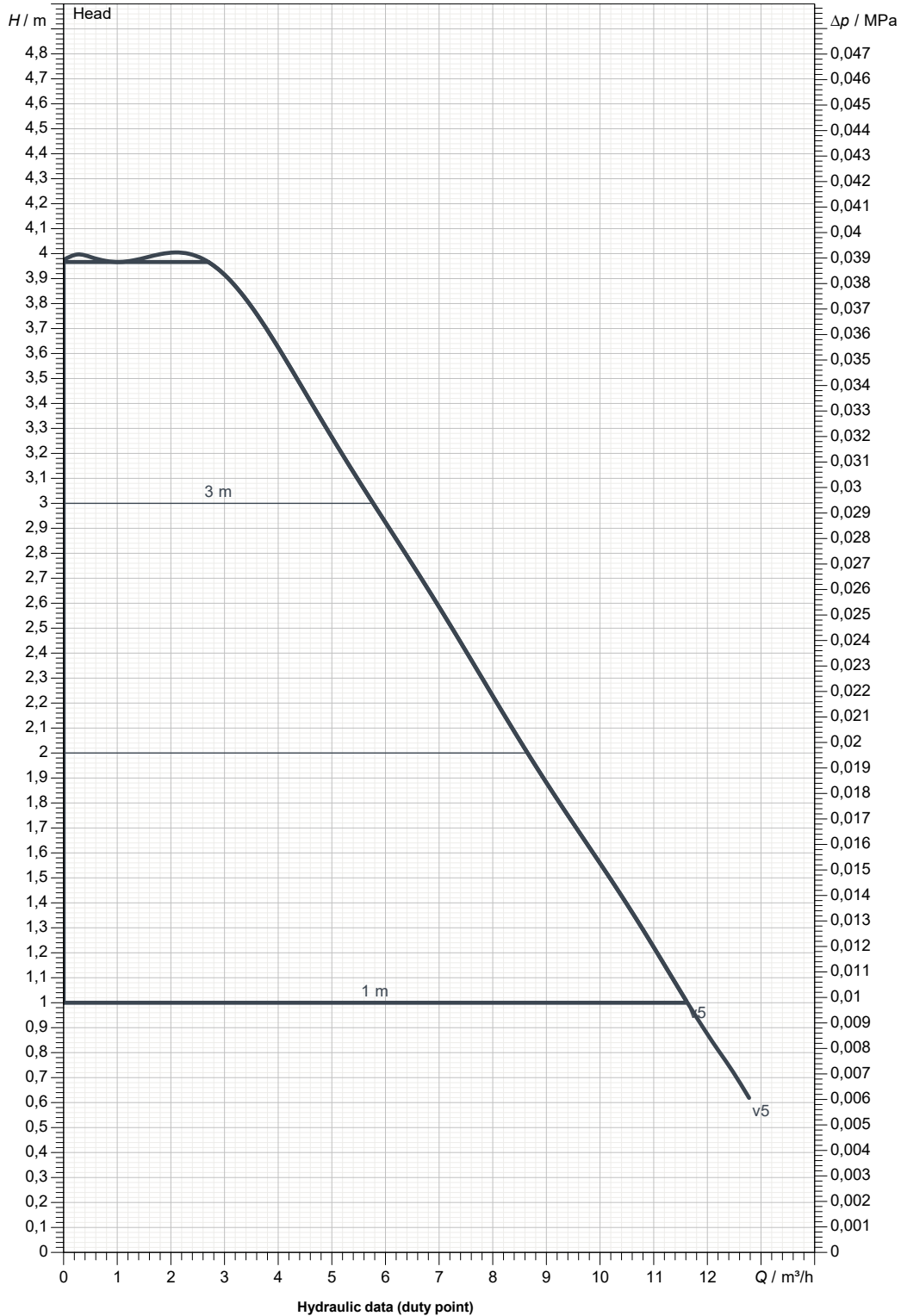
Receiver

From

Society  
Reference  
Address  
Phone  
Fax  
E-mail

## EVOPLUS B 40/220.40 M

Curve tolerance according to ISO 9906



Suction side :  
DN 40  
PN6, PN10, PN16

Discharge side :  
DN 40  
PN6, PN10, PN16

Flow :

Head :

Rated speed :  
2.900 1/min

MAIN\_PROJECT\_TITLE

BUSINESS\_PROCESS\_IC

OWNER\_

ISSUE\_DATE  
2023-02-06



# DIMENSIONAL DRAWING

2023-02-06

Page 3 / 3

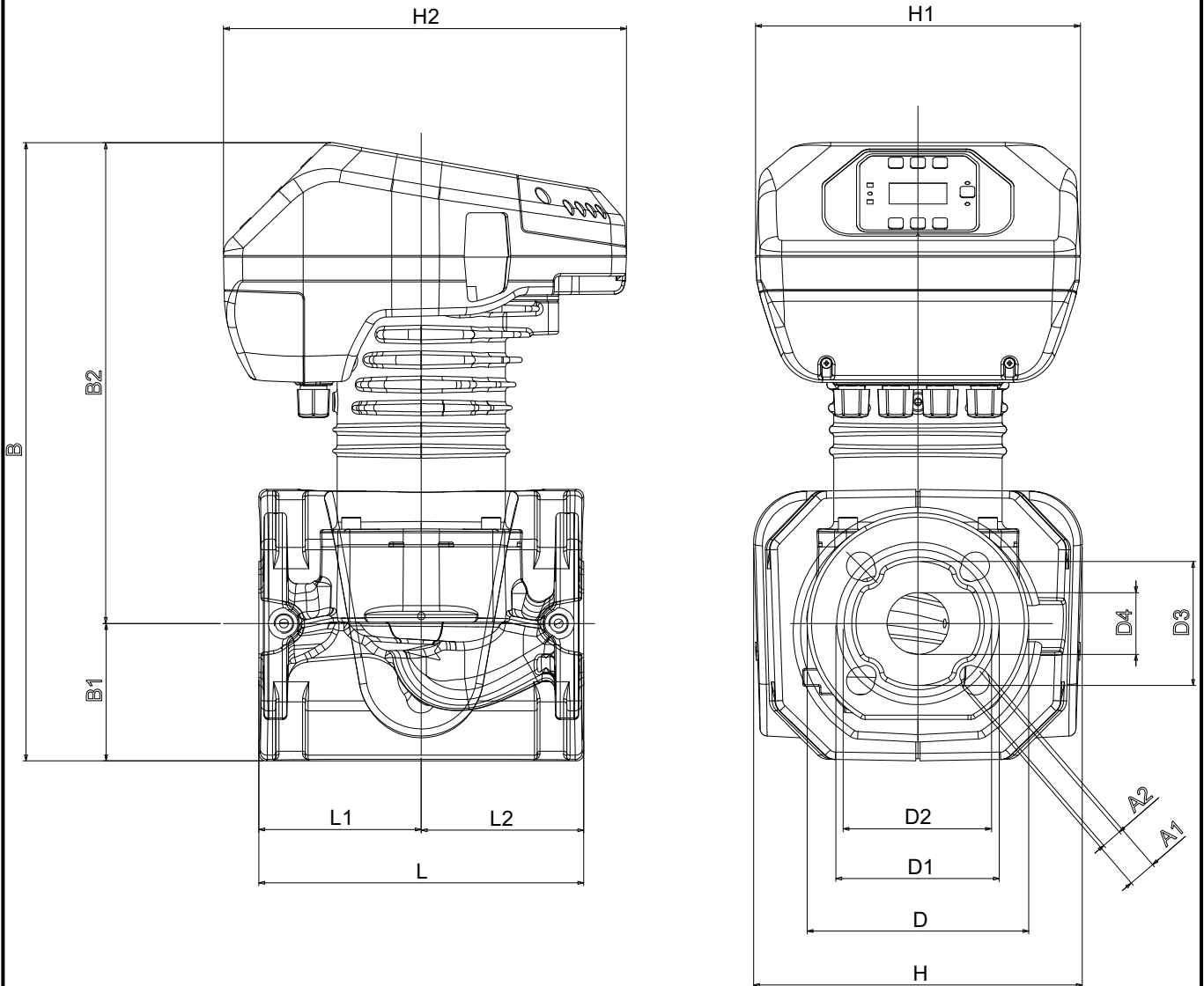
DAB PUMPS S.p.A.  
Via Marco Polo, 14 - 35035 Mestrino (PD), Italy  
Tel. +39 049 5125000 - Fax +39 049 5125950  
www.dabpumps.com

Receiver

From

Society  
Reference  
Address  
Phone  
Fax  
E-mail

## EVOPLUS B 40/220.40 M



Dimensions in mm					Pump connection	
1	A1	19	H1	220	Suction DN 40 PN6, PN10, PN16  Discharge DN 40 PN6, PN10, PN16	
2	A2	14	H2	273		
3	B	419	L	220		
4	B1	93	L1	110		
5	B2	326	L2	110		
6	D	150				
7	D1	110				
8	D2	100				
9	D3	84				
10	D4	42				
11	H	222				

MAIN_PROJECT_TITLE	BUSINESS_PROCESS_ID	OWNER	ISSUE_DATE <b>2023-02-06</b>
--------------------	---------------------	-------	---------------------------------